

Manuals+

[Q & A](#) | [Deep Search](#) | [Upload](#)

[manuals.plus](#) /

> [Magshion](#) /

> [Magshion 4-Tier Folding Bamboo Shoe Rack Instruction Manual](#)

Magshion 4-Tier Folding Bamboo Shoe Rack (Model: bcdd39cd-a2cc-4573-92b2-e6ed8c9e1d26)

Magshion 4-Tier Folding Bamboo Shoe Rack Instruction Manual

Model: bcdd39cd-a2cc-4573-92b2-e6ed8c9e1d26

[Safety Information](#) [Product](#)

[Overview](#)

[Setup](#)

[Usage](#)

[Maintenance](#)

[Troubleshooting](#)

[Specifications](#)

[Warranty & Support](#)

INTRODUCTION

Thank you for choosing the Magshion 4-Tier Folding Bamboo Shoe Rack. This manual provides essential information for the safe and efficient use of your new shoe organizer. Please read these instructions carefully before use and retain them for future reference.

IMPORTANT SAFETY INFORMATION

WARNING: Failure to follow these safety instructions may result in injury or damage to the product.

- Always use dry hands when handling the product.
- Do not overload the shelves beyond their intended capacity.
- Keep the shoe rack away from direct heat sources, open flames, and sharp objects.
- Avoid exposing the product to excessive moisture or getting it wet, as this may damage the bamboo material.
- Ensure the rack is placed on a stable, level surface to prevent tipping.

PRODUCT OVERVIEW AND FEATURES

The Magshion 4-Tier Folding Bamboo Shoe Rack is designed for convenient and versatile storage. Its foldable design allows for easy setup and portability without the need for complex assembly.

Key Features:

- **Folding Design:** No installation required, saving time and effort. Easily folds for storage or relocation.
- **Multi-Functional:** Suitable for various rooms such as entryways, living rooms, bedrooms, garages, or balconies. Can also serve as a general shelf or plant stand.
- **High-Quality Bamboo:** Constructed from natural bamboo, offering durability and a smooth surface.

- **Stable Structure:** Features a one-piece frame with thickened X-posts and a snap-on design for stability and strong load-bearing capacity.
- **Slatted Shelves:** The slatted design promotes air circulation, which is beneficial for shoe storage.
- **Adjustable Height:** The design allows for convenient height adjustment.

PRODUCT DIMENSIONS

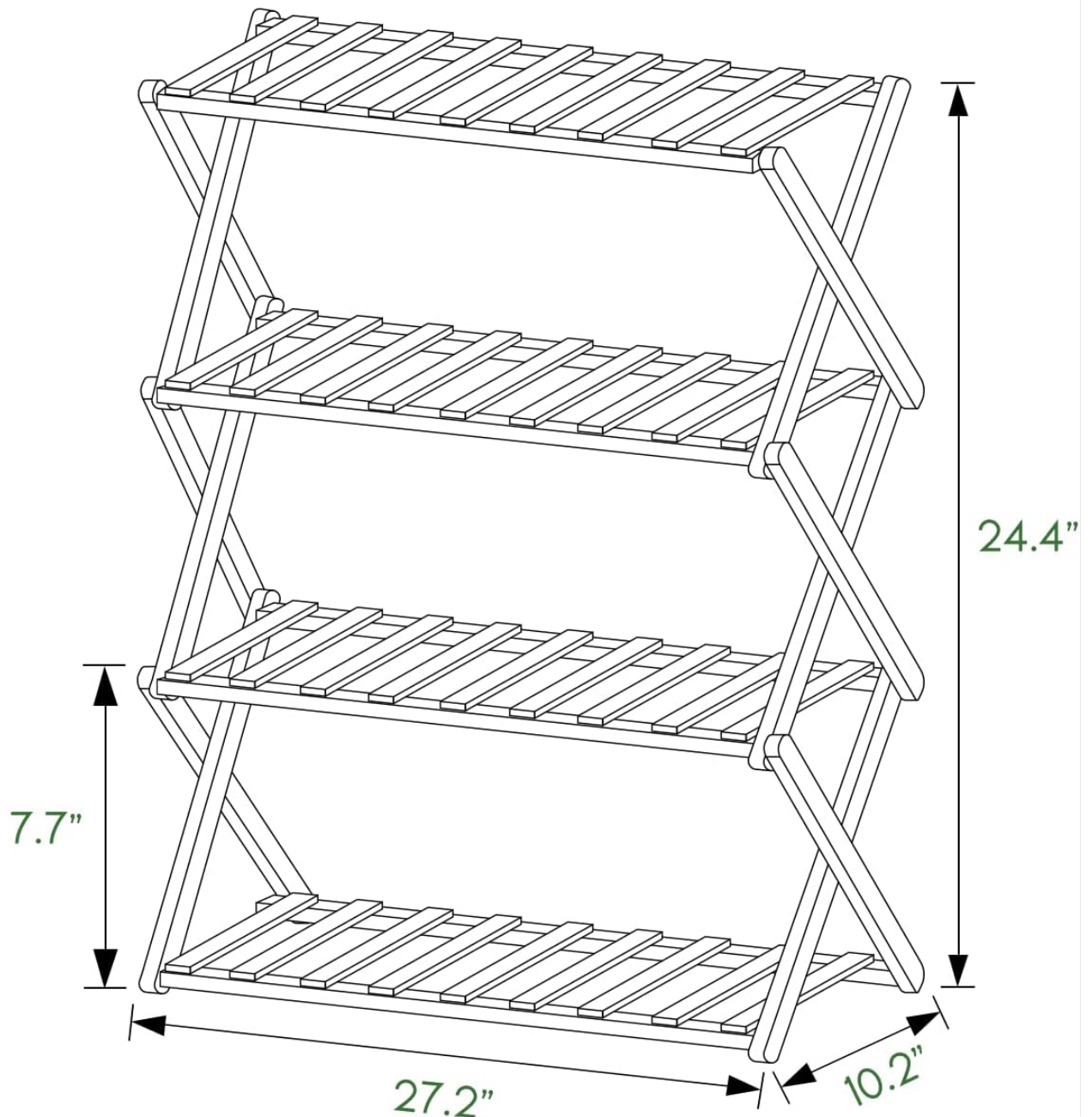


Image: The Magshion 4-Tier Folding Bamboo Shoe Rack, fully assembled and in use, showcasing its natural bamboo finish and capacity for multiple pairs of shoes.

SETUP AND ASSEMBLY

This shoe rack is designed for quick and easy setup with no assembly required. It arrives pre-assembled in a folded state.

1. **Unpack the Product:** Carefully remove the shoe rack from its packaging.
2. **Unfold the Rack:** Gently pull the sides of the rack outwards. The X-shaped supports will extend, and the shelves

will fall into place. Ensure all shelves are fully extended and locked into their horizontal position.

3. **Position the Rack:** Place the unfolded shoe rack on a flat, stable surface in your desired location.
4. **Adjust Shelf Height (if applicable):** The design allows for height adjustment. Ensure shelves are securely positioned before placing items.

To fold the rack for storage or transport, reverse the process by gently pushing the sides inwards until the rack collapses into its compact form.

STRUCTURE WITHOUT WOBBLE AND COLLAPSE



Image: A detailed view of the X-shaped support structure, highlighting the sturdy construction and snap-on design that prevents wobbling.



Image: Visual representation of the rack's foldable nature, emphasizing its free-installation benefit.

OPERATING INSTRUCTIONS

Once set up, the Magshion 4-Tier Folding Bamboo Shoe Rack is ready for use.

- **Placement:** Position the rack in your desired location, such as an entryway, closet, bedroom, or living room corner.
- **Loading Shoes:** Place shoes on the slatted shelves. Each tier is designed to hold multiple pairs, depending on shoe size and style.
- **Versatile Storage:** Beyond shoes, the rack can be used to store other items like small bags, books, or decorative plants, utilizing its multi-functional design.
- **Even Distribution:** For optimal stability, distribute the weight of items evenly across the shelves.



Image: The shoe rack filled with different types of footwear, demonstrating its storage capacity and versatility.

CARE AND MAINTENANCE

Proper care will ensure the longevity and appearance of your bamboo shoe rack.

- **Cleaning:** Wipe the surface clean with a soft, damp cloth. Avoid using abrasive cleaners or harsh chemicals, as these can damage the bamboo finish.
- **Drying:** After cleaning with a damp cloth, immediately dry the surface with a clean, dry cloth to prevent moisture absorption.
- **Avoid Water Exposure:** Do not immerse the rack in water or expose it to prolonged periods of high humidity.
- **Inspection:** Periodically check all connections and joints to ensure they remain secure.

TROUBLESHOOTING

If you encounter any issues with your shoe rack, refer to the following common solutions:

- **Rack is Unstable/Wobbly:**

- Ensure the rack is placed on a completely flat and level surface.
- Verify that all folding mechanisms are fully extended and securely locked into place.
- Check if weight is distributed evenly across the shelves.

- **Difficulty Folding/Unfolding:**

- Ensure no items are on the shelves when attempting to fold or unfold.
- Gently apply pressure to the X-supports. Do not force the mechanism.

- **Scratches or Damage to Bamboo:**

- Minor scratches can sometimes be minimized with wood polish or a bamboo-specific repair kit.
- Prevent future damage by avoiding sharp objects and rough handling.

If problems persist, please contact Magshion customer support.

PRODUCT SPECIFICATIONS

Feature	Detail
Brand	Magshion
Model Number	bcdd39cd-a2cc-4573-92b2-e6ed8c9e1d26
Product Dimensions (Unfolded)	10.2"D x 27.2"W x 24.4"H (25.9 cm D x 69.1 cm W x 62 cm H)
Number of Tiers/Shelves	4
Material	Bamboo
Color	Natural
Assembly Required	No (Folding/Unfolding only)
Installation Type	Freestanding
Special Features	Foldable, Durable, Adjustable Height, Slatted Shelves
Recommended Uses	Shoe Storage, General Storage, Plant Holder



Image: Detailed product dimensions, illustrating the width, depth, and height of the assembled rack, including shelf spacing.

WARRANTY AND CUSTOMER SUPPORT

Magshion stands behind the quality of its products. For specific warranty details, please refer to the documentation included with your purchase or visit the official Magshion website.

If you have any questions, require assistance, or need to report a defect, please contact Magshion customer support through the retailer where the product was purchased or via the contact information provided on the official Magshion website.

Online Support: [Visit the Magshion Store on Amazon](#)

© 2023 Magshion. All rights reserved.

This manual is for informational purposes only. Product specifications are subject to change without notice.

