

## KUAFU BL1968

# KUAFU Wood Burning Stove BL1968 Instruction Manual

Model: BL1968

[Introduction](#) [Safety](#) [Components](#) [Setup](#) [Operation](#) [Maintenance](#) [Troubleshooting](#) [Specifications](#) [Warranty](#)  
& Support

## 1. INTRODUCTION

The KUAFU Wood Burning Stove BL1968 is a portable and versatile heating and cooking solution designed for outdoor activities such as camping, hiking, and travel. Its compact and lightweight design, along with storable chimney pipes, ensures easy transportation and setup. This manual provides essential information for the safe and efficient use of your wood burning stove.

## 2. IMPORTANT SAFETY INFORMATION

**WARNING: Failure to follow these safety instructions may result in property damage, bodily injury, or death.**

- **Outdoor Use Only:** This stove is designed for outdoor use or in well-ventilated structures like bell tents equipped with proper furnace tube vents. Never use indoors without adequate ventilation.
- **First Burn (Curing):** Perform the initial burn outdoors to cure the paint and burn off any manufacturing residues. This process will produce smoke and fumes that are unsafe to inhale. Ensure the stove is smoking cleanly before using it in an enclosed space.
- **Clearance to Combustibles:** Maintain adequate clearance from all combustible materials (tents, fabrics, wood, etc.). Consult local fire codes and tent manufacturer guidelines.
- **Stable Surface:** Always place the stove on a stable, non-combustible surface.
- **Fuel Type:** Use only dry, seasoned wood. Do not use flammable liquids, trash, or treated wood.
- **Hot Surfaces:** The stove and chimney will become extremely hot during operation. Use heat-resistant gloves when handling any part of the stove. Keep children and pets away.
- **Chimney Maintenance:** Regularly inspect and clean the chimney pipes to prevent creosote buildup, which can lead to chimney fires.

- **Fire Extinguisher:** Keep a fire extinguisher or a bucket of water/sand nearby when operating the stove.

### 3. PRODUCT COMPONENTS

Familiarize yourself with the components of your KUAFU Wood Burning Stove:

- Stove Body
- Detachable Legs (4)
- Chimney Pipes (multiple sections, including a spark arrestor section)
- Chimney Connector/Flue Pipe Adapter
- Door with Handle and Air Vents
- Chimney Dampener
- Ash Scraper/Poker

You can choose different kinds of pots and pans according to your cooking preferences and needs.



Figure 1: All components of the KUAFU Wood Burning Stove, including the main stove body, detachable chimney pipes, legs, door, and accessories.

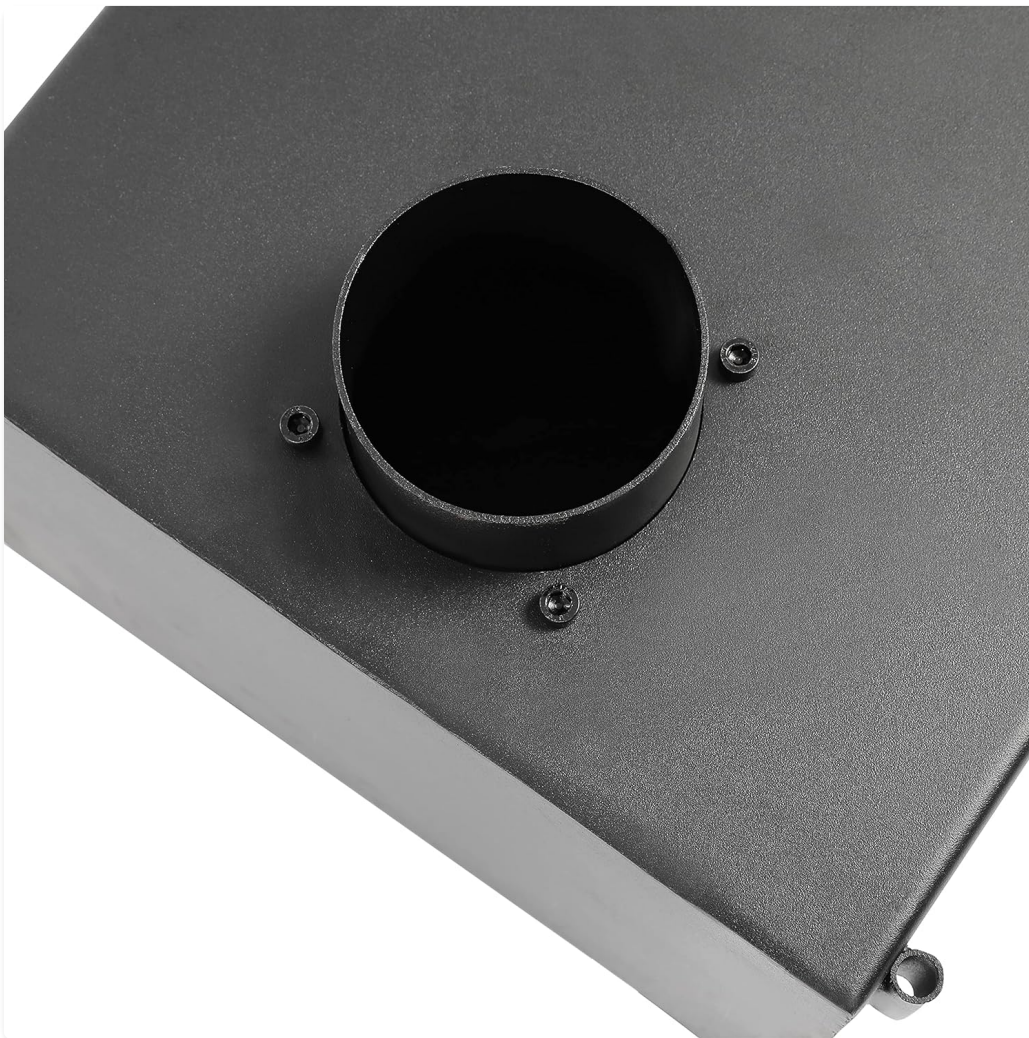
### 4. SETUP INSTRUCTIONS

Follow these steps to assemble your KUAFU Wood Burning Stove:

1. **Attach the Legs:** Secure the four detachable legs to the bottom of the stove body using the provided screws. Ensure they are tightly fastened for stability.
2. **Install Chimney Connector:** Attach the chimney connector (flue pipe adapter) to the top opening of the stove body using the provided screws.
3. **Assemble Door Handle:** Attach the spring-coil handle to the stove door.
4. **Assemble Chimney Pipes:** Connect the chimney pipe sections together, ensuring the dampener is installed in one of the lower sections and the spark arrestor is at the top. The pipes should fit snugly.
5. **Attach Chimney to Stove:** Insert the assembled chimney into the chimney connector on the stove body.



Figure 2: Visual guide for the initial assembly steps, including installing the legs and preparing the stove body.



*Figure 3: Detail of the chimney pipe connection to the stove body, showing the secure attachment points.*

**Your browser does not support the video tag.**

*Video 1: Official assembly guide for the KUAFU Wood Burning Stove, demonstrating the step-by-step process of attaching legs, installing the chimney connector, assembling the door handle, and connecting the chimney pipes.*

## 5. OPERATING INSTRUCTIONS

### 1. First Use & Curing the Paint:

Before using the stove in any enclosed space, perform at least one or two initial burns outdoors. This process cures the paint and burns off any manufacturing oils, producing significant smoke and fumes. Continue outdoor burns until the smoke clears and the paint is fully cured. This is crucial for safety and to prevent unpleasant odors indoors.

### 2. Fueling the Stove:

Open the stove door and place dry, seasoned wood inside. The stove can accommodate logs up to approximately 16 inches in length. Avoid overfilling. This stove is designed for efficient fuel consumption, reducing the need to carry excessive wood.



*Figure 4: The stove door opened, revealing the spacious firebox designed to hold logs up to 16 inches.*

**3. Ignition:**

Use appropriate fire starters to ignite the wood. Once the fire is established, close the door.

**4. Airflow Control:**

The stove features adjustable air vents on the front door and a dampener in the chimney pipe. Adjust these controls to regulate the burn rate and heat output. Open the vents for more airflow and a hotter burn; close them partially to slow the burn. The chimney dampener also helps control draft.

**5. Cooking Functionality:**

The flat top surface of the stove can be used for cooking with various pots and pans, such as kettles, frying pans, and stockpots. Ensure cookware is stable on the surface.

You can choose different kinds of pots and pans according to your cooking preferences and needs.



Figure 5: The stove top being used for cooking with a kettle, frying pan, and stockpot, highlighting its versatility.



Figure 6: The KUAFU Wood Burning Stove set up outside a tent, actively heating and cooking with a pot on its surface.

## 6. MAINTENANCE

- **Ash Removal:** Regularly remove ash from the firebox to maintain optimal performance and prevent ash buildup from blocking airflow. Use the provided ash scraper/poker.
- **Chimney Cleaning:** Inspect and clean the chimney pipes periodically, especially after extended use, to remove creosote and soot. This prevents fire hazards and ensures efficient drafting.
- **Paint Care:** The factory paint may flake or burn off during initial high-temperature use. This is a common occurrence with portable wood stoves. If desired, the stove can be sanded down and re-coated with high-temperature stove paint for aesthetic purposes.
- **Door Gasket:** Inspect the door gasket for wear and tear. A worn gasket can lead to smoke leakage and reduced efficiency. Replace if necessary.
- **General Inspection:** Before each use, check all components for damage, loose fasteners, or signs of wear. Ensure all connections are secure.

## 7. TROUBLESHOOTING

Problem	Possible Cause	Solution
Smoke leakage from stove body/chimney connections	Loose connections, improper chimney pipe orientation, worn door gasket.	Ensure all screws and connections are tight. Verify chimney pipe sections are correctly oriented (flanges should direct creosote inwards). Inspect and replace door gasket if damaged. Consider using high-temperature sealant for chimney joints.
Poor draft/Difficulty starting or maintaining fire	Chimney blockage, insufficient airflow, wet wood, improper dampener setting.	Clean chimney pipes. Ensure air vents are open. Use dry, seasoned wood. Adjust the chimney dampener to allow for proper draft. Consider adding a baffle inside the stove if smoke comes out when opening the door.
Paint flaking or burning off	Normal curing process, high heat exposure.	This is expected during initial high-temperature burns. Ensure first burns are done outdoors. If desired, sand and re-coat with high-temperature stove paint.
Legs or other components feel loose after assembly	Screws not fully tightened, manufacturing tolerances.	Ensure all screws are tightened securely. If screws do not thread properly, it may be necessary to drill out the holes slightly larger and use nuts and bolts for a more secure fit.

## 8. SPECIFICATIONS

- **Brand:** KUAFU
- **Model Number:** BL1968
- **Material:** Alloy Steel
- **Color:** Black
- **Product Dimensions (Stove Body):** Approximately 17.75"D x 11.62"W x 15.5"H (excluding chimney)
- **Overall Height (with chimney):** Approximately 88.25"H (2240mm)
- **Item Weight:** 47.97 Pounds (approx. 21.76 kg)
- **Assembly Required:** Yes
- **Ventilation Type:** Direct Vent
- **Fuel Type:** Wood
- **Chimney Diameter:** Approximately 3-3/8" (86mm)

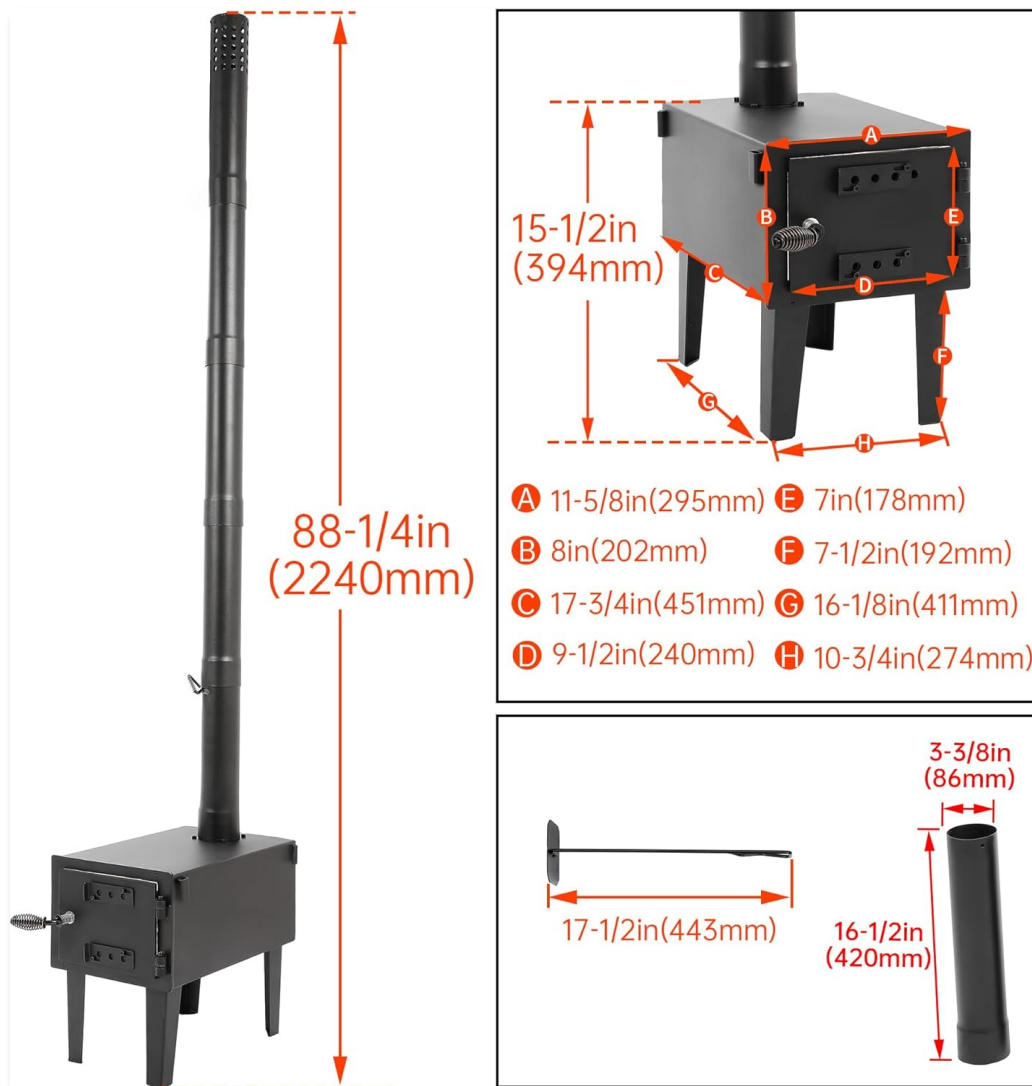


Figure 7: Detailed diagram showing the dimensions of the stove body and chimney pipes.

## 9. WARRANTY & SUPPORT

For warranty information, product support, or to inquire about replacement parts, please contact KUAFU customer service directly. Refer to the product packaging or the retailer's website for the

most current contact details.