

[Manuals.plus](#) /

> [NEEWER](#) /

> NEEWER 7.5ft/230cm Boom Pole Stand MS-230C Instruction Manual

NEEWER MS-230C

NEEWER 7.5ft/230cm Boom Pole Stand MS-230C Instruction Manual

Model: MS-230C

1. PRODUCT OVERVIEW

The NEEWER MS-230C Boom Pole Stand is a portable, telescopic aluminum stand designed for positioning strobe lights, flashes, and microphones. It offers flexibility in angle and height, making it suitable for various photography, videography, interview, and audio recording applications.



Image: The NEEWER MS-230C Boom Pole Stand, showcasing its design and a mounted light fixture.

2. PACKAGE CONTENTS

Verify that all items listed below are included in your package:

- 1 x Light Stand Boom Pole
- 1 x 3/8" to 5/8" Screw Adapter
- 1 x 1/4" to 3/8" Light Stand Adapter
- 1 x Shoulder Strap
- 3 x Cable Ties
- 1 x Storage Bag

PACKAGE CONTENTS

- 1 Light Stand Boom Pole X1
- 2 3/8" to 5/8" Screw Adapter X1
- 3 1/4" to 3/8" Light Stand Adapter X1
- 4 Shoulder Strap X1
- 5 Cable Tie X3
- 6 Storage Bag X1



Image: An illustration detailing the package contents, including the boom pole, adapters, strap, cable ties, and storage bag.

3. FEATURES

3.1. Load Capacity

Constructed from premium aluminum alloy, this stand is both sturdy and lightweight (860g / 30.3oz). It features a thickened 32mm tube, supporting devices horizontally up to 5kg (11lb) and vertically up to 15kg (33lb).

NEEWER[®]

MS-230C

TELESCOPIC ALUMINUM HANDHELD LIGHT STAND

Note: Only the Handheld Light Stand is included.

Image: Visual representation of the stand's load capacity, showing it supporting 11lb/5kg horizontally and 33lb/15kg vertically.

3.2. Flexible Angle and Height

The three-section telescopic design allows extension up to 230cm (90.6") and folds down to 77cm (30.3"). Four flip locks ensure stability at various heights. A three-way mounting interface with a hand-tighten knob provides precise angle control.

ENHANCED COMPATIBILITY

The ideal lighting and audio equipment setup for greater portability and flexibility with a 1/4" to 3/8" light stand adapter and a 3/8" to 5/8" screw adapter.



90° Rotation



1/4" to 3/8" Light Stand Adapter



3/8" to 5/8" Screw Adapter

COMPATIBLE WITH



LED Video Light



CB200B LED Light



Lantern Softbox



Microphones

Image: The stand's telescopic sections extending from 30.3"/77cm to 90.6"/230cm, highlighting the flip locks.

3.3. Comfort and Stability

Features a super extended and thickened sponge handle for a secure and comfortable grip, preventing slipping and providing insulation. The included shoulder strap helps distribute weight and enhances stability during use. Three cable ties are provided for organizing device cables.

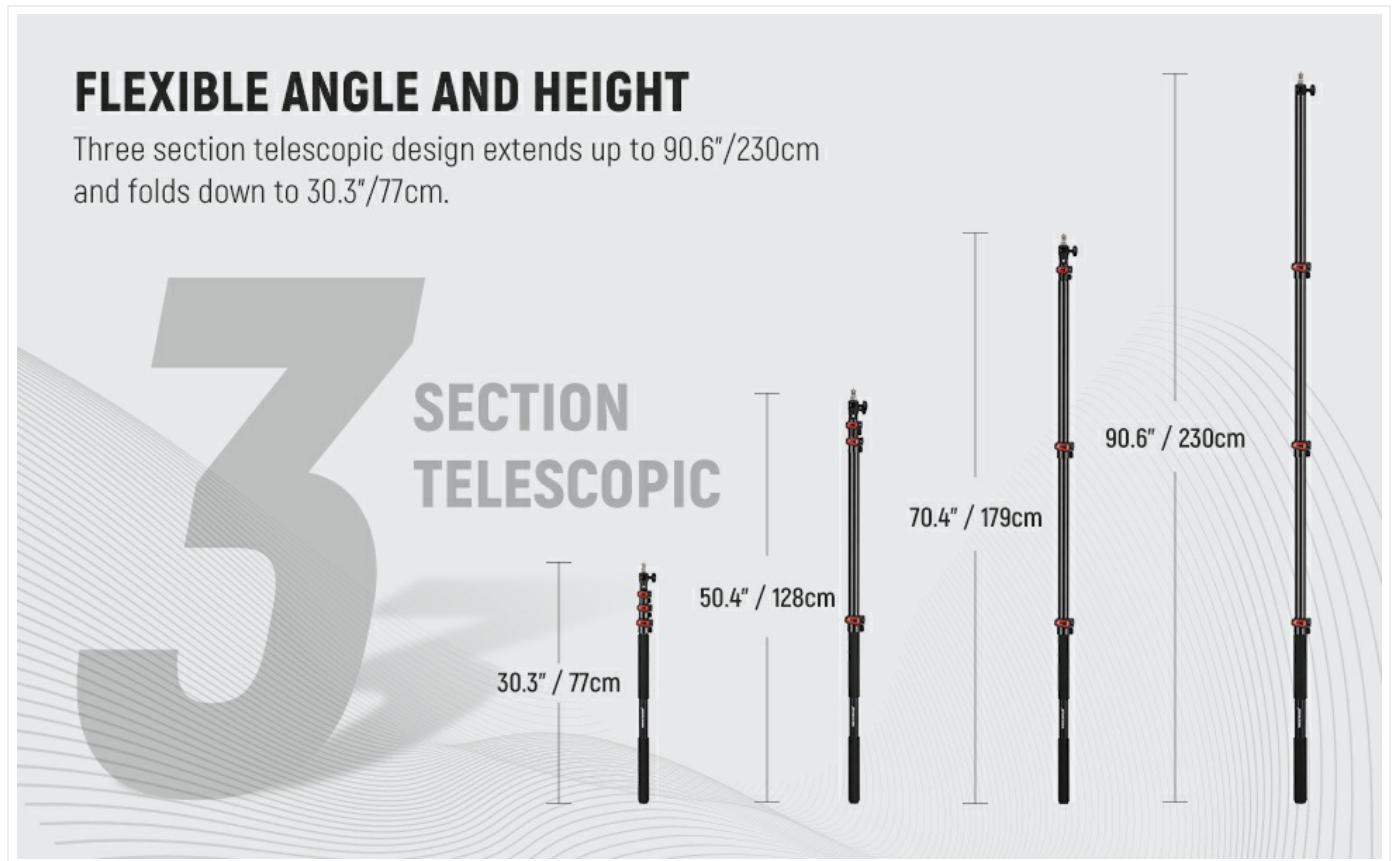


Image: Details of the comfortable sponge handle, the shoulder strap for weight distribution, and cable ties for organization.

3.4. Enhanced Compatibility

Comes with a 1/4" to 3/8" light stand adapter and a 3/8" to 5/8" screw adapter, ensuring compatibility with a wide range of equipment including speedlite flashes, strobes, monolights, ring lights, and microphones.



Image: The stand's mounting options and examples of compatible equipment such as LED video lights, lantern softboxes, and microphones.

4. SETUP AND ASSEMBLY

1. **Unpack Components:** Carefully remove all items from the storage bag and verify against the package contents list.
2. **Extend the Pole:** Hold the base of the boom pole. Release the flip locks on each section. Gently pull each section upwards to extend the pole to the desired length. Ensure each flip lock is securely fastened after adjusting.
3. **Attach Adapters:** Depending on your equipment, screw the appropriate 1/4" to 3/8" or 3/8" to 5/8" adapter onto the top mounting interface of the boom pole.
4. **Mount Equipment:** Attach your strobe light, flash, microphone, or other compatible device to the adapter. Use the hand-tighten knob to secure the equipment and adjust its angle.
5. **Attach Shoulder Strap:** If desired, attach the shoulder strap to the designated loops on the boom pole for improved comfort and stability during handheld use.
6. **Organize Cables:** Use the provided cable ties to neatly secure any power or audio cables along the pole, preventing tangles and ensuring a clean setup.

5. OPERATING INSTRUCTIONS

- **Adjusting Height:** To adjust the height, release the flip locks on the desired sections, extend or retract the pole, and then firmly close the flip locks to secure the position.
- **Adjusting Angle:** Loosen the hand-tighten knob on the three-way mounting interface. Adjust the angle of the mounted equipment as needed, then tighten the knob to lock it in place.
- **Handheld Use:** For handheld operation, grip the sponge handle firmly. Utilize the shoulder strap to distribute the weight and maintain stability, especially during longer sessions.
- **Horizontal vs. Vertical Load:** Be mindful of the maximum load capacities: 5kg (11lb) for horizontal positioning and

15kg (33lb) for vertical positioning. Do not exceed these limits to ensure stability and prevent damage.

6. MAINTENANCE

- **Cleaning:** Wipe the aluminum pole with a soft, dry cloth. For stubborn dirt, a slightly damp cloth can be used, followed by immediate drying. Avoid abrasive cleaners or solvents.
- **Lubrication:** Periodically check the telescopic sections and flip locks for smooth operation. If they become stiff, apply a small amount of silicone-based lubricant to the moving parts.
- **Storage:** When not in use, collapse the boom pole to its shortest length and store it in the provided storage bag to protect it from dust and scratches. Store in a cool, dry place.
- **Inspection:** Regularly inspect the pole, adapters, and locks for any signs of wear, damage, or loose components. Do not use the stand if any part is damaged.

7. TROUBLESHOOTING

- **Pole Sections Not Extending/Retracting Smoothly:**

Ensure all flip locks are fully released. Clean the sections to remove any dirt or debris. Apply a small amount of silicone lubricant if necessary.
- **Equipment Feels Unstable:**

Verify that all flip locks are securely closed. Ensure the hand-tighten knob for the mounting interface is tightened. Check that the mounted equipment's weight does not exceed the stand's load capacity, especially in horizontal orientation.
- **Adapters Not Fitting:**

Confirm you are using the correct adapter for your equipment's thread size (1/4", 3/8", or 5/8"). Do not force adapters if they do not screw on smoothly.

8. SPECIFICATIONS

Model	MS-230C
Material	Aluminum Alloy
Weight	860g (30.3oz)
Max. Extended Length	230cm (90.6")
Folded Length	77cm (30.3")
Tube Diameter	32mm (Thickened)
Max. Horizontal Load	5kg (11lb)
Max. Vertical Load	15kg (33lb)
Mounting Interface	1/4", 3/8", 5/8" Screw Adapters Included

9. WARRANTY AND SUPPORT

This NEEWER MS-230C Boom Pole Stand comes with a **1 Year Manufacturer Warranty**. For warranty claims, technical

support, or any product-related inquiries, please contact NEEWER customer service through their official website or the retailer where the product was purchased. Please retain your proof of purchase for warranty validation. For additional resources and product information, visit the official NEEWER website: www.neewer.com

