

## Manuals+

[Q & A](#) | [Deep Search](#) | [Upload](#)

manuals.plus /

- › [Transmedia Kabelverbindungen GmbH](#) /
- › [My Wall HL47ML Motorized Foldable TV Ceiling Mount User Manual](#)

## Transmedia Kabelverbindungen GmbH HL47ML

# My Wall HL47ML Motorized Foldable TV Ceiling Mount User Manual

Model: HL47ML

## 1. INTRODUCTION

---

Thank you for choosing the My Wall HL47ML Motorized Foldable TV Ceiling Mount. This innovative bracket provides a practical and space-saving solution to enhance your TV viewing experience. Designed for flat-screen TVs ranging from 32 to 75 inches and supporting up to 35 kg, it features Smart Home control via the Tuya app, a 180° swivel function, and a collision avoidance system for enhanced safety. This manual provides detailed instructions for installation, operation, and maintenance to ensure optimal performance and longevity of your device.

## 2. SAFETY INFORMATION

---

Please read all safety warnings and instructions carefully before installation and use. Failure to follow these instructions may result in property damage, serious injury, or death.

- **Qualified Personnel:** Installation should only be performed by qualified personnel. If you are unsure about the installation process, consult a professional.
- **Weight Capacity:** Do not exceed the maximum weight capacity of 35 kg (77 lbs). Overloading can cause serious injury or damage to equipment.
- **Screen Size:** This mount is designed for TVs between 32 and 75 inches. Using a TV outside this range may compromise stability.
- **Mounting Surface:** Ensure the ceiling structure can safely support the combined weight of the mount and the TV. Use appropriate mounting hardware for your specific ceiling type (wood stud, concrete, etc.).
- **Collision Avoidance:** The mount is equipped with a collision avoidance system. Do not intentionally obstruct the mount's movement. Keep hands and objects clear during operation.
- **Power Supply:** Ensure the power supply is disconnected before performing any installation or maintenance.
- **Cable Management:** Route all cables properly to prevent pinching or damage during movement.
- **Children and Pets:** Keep children and pets away from the mount during operation.
- **Maintenance:** Regularly check all connections and fasteners to ensure they are secure.

### 3. PACKAGE CONTENTS

---

Before beginning installation, verify that all parts are present and undamaged. If any parts are missing or damaged, do not attempt to install. Contact your supplier for assistance.

- Motorized TV Ceiling Mount Unit (HL47ML)
- Remote Control
- Mounting Hardware Kit (screws, anchors, washers, etc.)
- User Manual (this document)
- Power Adapter



Image: Overview of the My Wall HL47ML motorized TV ceiling mount, showing the main bracket assembly and TV mounting arms.

### 4. SETUP AND INSTALLATION

---

Proper installation is crucial for the safety and functionality of your TV mount. Follow these steps carefully.

## 4.1. Tools Required

- Drill
- Stud Finder (for wood ceilings)
- Level
- Measuring Tape
- Pencil
- Socket Wrench / Spanner
- Phillips Head Screwdriver

## 4.2. Choosing the Installation Location

Select a location on the ceiling that is structurally sound and free from electrical wires, water pipes, or other obstructions. Ensure there is enough clearance for the TV to fully extend and swivel without hitting walls or furniture.

mit / with **VIDEO**  
**SMART HOME & motorized**  
**function**

**180°**  
**Drehfunktion**



**tuya APP**



Image: Detailed technical drawing showing the dimensions of the My Wall HL47ML mount, including mounting plate size, arm extension, and TV bracket dimensions. This helps in planning the installation space.

### 4.3. Mounting the Ceiling Plate

1. Carefully mark the drilling points on the ceiling using the ceiling plate as a template. Use a level to ensure accuracy.

2. Drill pilot holes at the marked locations. The size of the drill bit will depend on the type of ceiling and anchors used.
3. Insert appropriate anchors into the drilled holes (if required for your ceiling type).
4. Secure the ceiling plate to the ceiling using the provided screws and washers. Ensure it is firmly attached and level.

#### **4.4. Attaching the TV Bracket to the TV**

1. Lay the TV face down on a soft, clean surface to prevent scratches.
2. Identify the VESA mounting holes on the back of your TV.
3. Attach the TV mounting arms to the back of your TV using the appropriate screws and spacers from the hardware kit. Ensure the arms are centered and securely fastened. Do not overtighten.

#### **4.5. Hanging the TV onto the Mount**

1. With assistance, carefully lift the TV with the attached mounting arms.
2. Hook the TV mounting arms onto the main mount assembly.
3. Secure the TV to the mount using the safety screws or locking mechanisms provided. Refer to the detailed diagrams in the full manual for specific locking procedures.



Image: The My Wall HL47ML TV ceiling mount shown in its fully folded, retracted position, demonstrating its space-saving design when not in use.

## 5. OPERATING INSTRUCTIONS

---

The My Wall HL47ML mount offers convenient motorized operation and Smart Home integration.

### 5.1. Remote Control Operation

The included remote control allows for direct control of the mount's movement.

- **Power Button:** Turns the mount on/off or puts it into standby.
- **Up/Down Arrows:** Controls the vertical extension and retraction of the TV.
- **Left/Right Arrows:** Controls the horizontal swivel (180° rotation).
- **Memory Buttons (1, 2):** Press and hold to save a desired position. Briefly press to recall a saved position.
- **SET Button:** Used for pairing or advanced settings (refer to full manual for details).



Image: The remote control for the My Wall HL47ML mount alongside a smartphone displaying the Tuya app interface for controlling the motorized TV solution.

## 5.2. Smart Home Control (Tuya App)

Integrate your My Wall HL47ML mount into your Smart Home system using the Tuya app for seamless control.

1. **Download App:** Download the "Tuya Smart" or "Smart Life" app from your smartphone's app store (iOS or Android).
2. **Register/Login:** Create an account or log in to your existing Tuya account.
3. **Add Device:** Follow the in-app instructions to add a new device. Select "Motorized TV Solution" or similar category.
4. **Pairing:** Put the mount into pairing mode (usually by pressing a button on the control box or remote for a few seconds). The app will guide you through the pairing process.
5. **Control:** Once paired, you can control the mount's movement, set favorite positions, and integrate it into smart scenes or routines directly from the app.

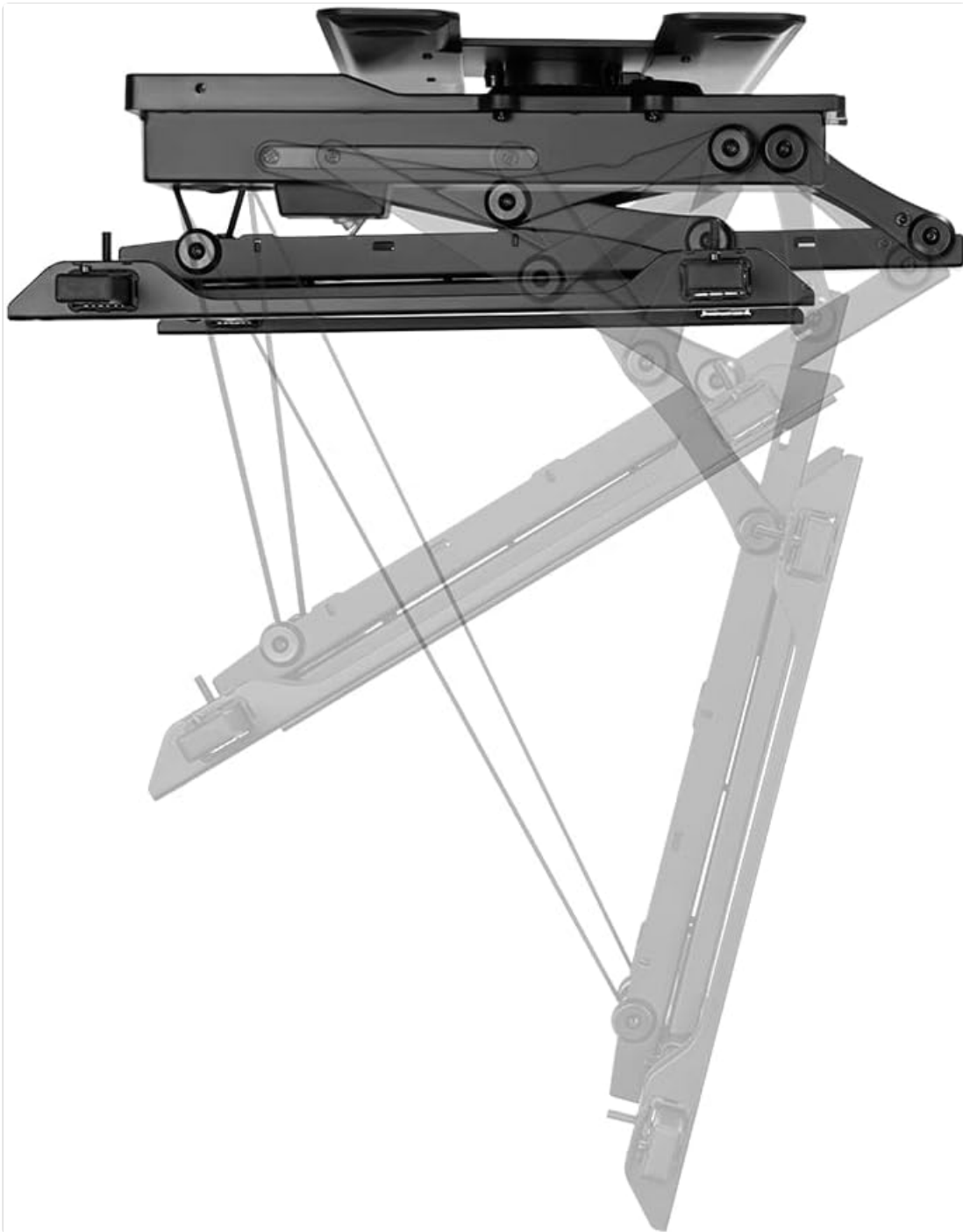


Image: A hand holding a smartphone displaying the "Motorized TV Solution" interface within the Tuya app, demonstrating remote control of the ceiling-mounted TV.

### 5.3. Memory Settings

The memory function allows you to save and recall your preferred viewing positions.

- **To Save a Position:** Move the TV to your desired position using the remote or app. Press and hold one of the "MEM" buttons (e.g., MEM1 or MEM2) until you hear a beep or see an indicator light flash. The position is now saved.
- **To Recall a Position:** Briefly press the corresponding "MEM" button (e.g., MEM1 or MEM2). The mount will automatically move the TV to the saved position.

### 5.4. Collision Avoidance System

The mount is equipped with a safety feature that detects obstacles during movement. If an obstruction is detected, the mount will automatically stop to prevent damage or injury. Do not attempt to override this system.

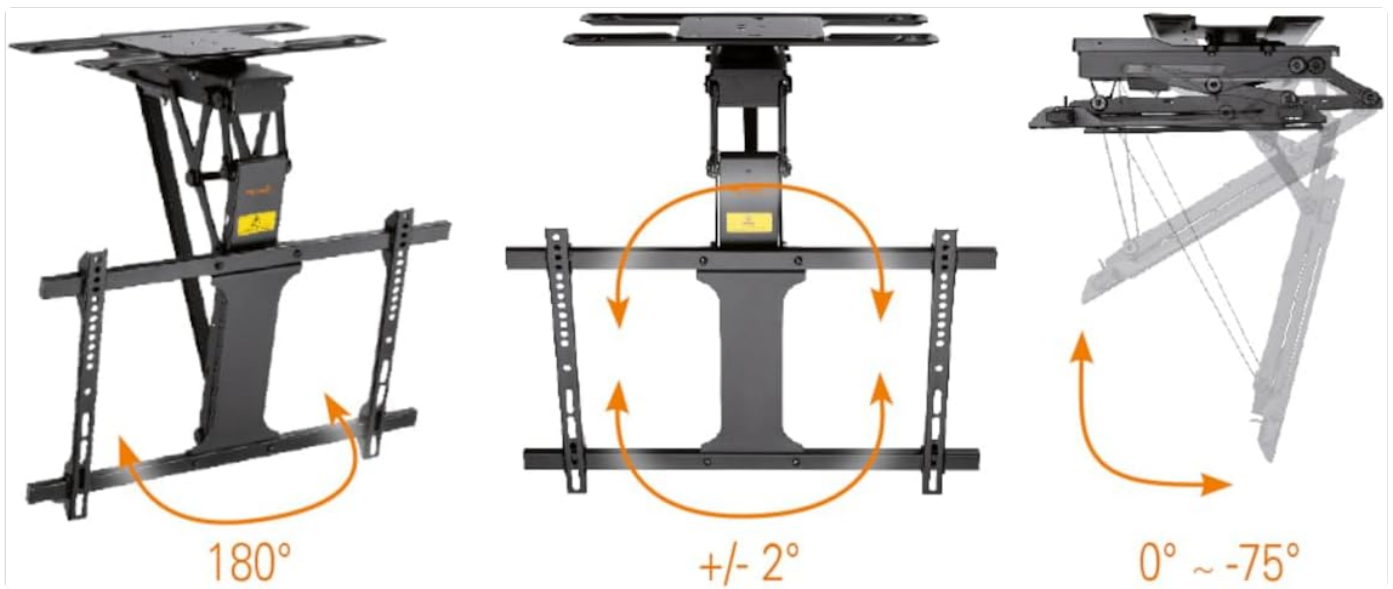


Image: A diagram illustrating the range of motion for the My Wall HL47ML mount, including its 180° swivel, +/- 2° leveling adjustment, and 0° to -75° tilt angle.

## 6. MAINTENANCE

Regular maintenance ensures the safe and efficient operation of your TV mount.

- **Cleaning:** Clean the mount with a soft, dry cloth. Do not use abrasive cleaners or solvents.
- **Inspections:** Periodically check all screws and fasteners to ensure they are tight and secure.
- **Cable Check:** Inspect cables for any signs of wear, fraying, or pinching.
- **Lubrication:** The motorized components are generally maintenance-free. Do not attempt to lubricate any parts unless specifically instructed by the manufacturer.

## 7. TROUBLESHOOTING

If you encounter issues with your My Wall HL47ML mount, refer to the following common problems and solutions.

Problem	Possible Cause	Solution
Mount does not respond to remote/app.	No power; Remote batteries dead; Remote not paired; App not connected.	Check power connection. Replace remote batteries. Re-pair remote/app. Ensure Wi-Fi connection for app.
Mount stops moving unexpectedly.	Obstruction detected (collision avoidance); Overload.	Remove any obstructions. Ensure TV weight is within limits. Power cycle the mount.
TV is not level.	Installation not level; Adjustment needed.	Check ceiling plate level. Use the +/- 2° adjustment feature if available (refer to full manual). Re-adjust TV mounting arms.
Noise during operation.	Normal motor sound; Loose fasteners.	Some motor noise is normal. Check all mounting screws and bolts for tightness.

If the problem persists, contact customer support for further assistance.

## 8. SPECIFICATIONS

---

Feature	Detail
Model	HL47ML
Brand	myWall (Transmedia Kabelverbindungen GmbH)
Mount Type	Motorized Foldable Ceiling Mount
Compatible TV Sizes	32 - 75 inches (81 - 190 cm)
Maximum Load Capacity	35 kg (77 lbs)
Tilt Angle	0° to -75°
Swivel Angle	180°
Level Adjustment	+/- 2°
Material	Metal
Control	Remote Control, Tuya App (Smart Home)
Safety Features	Collision Avoidance System
Product Dimensions (folded)	73.5 x 66.4 x 51.6 cm (approx.)
Product Weight	13 kg

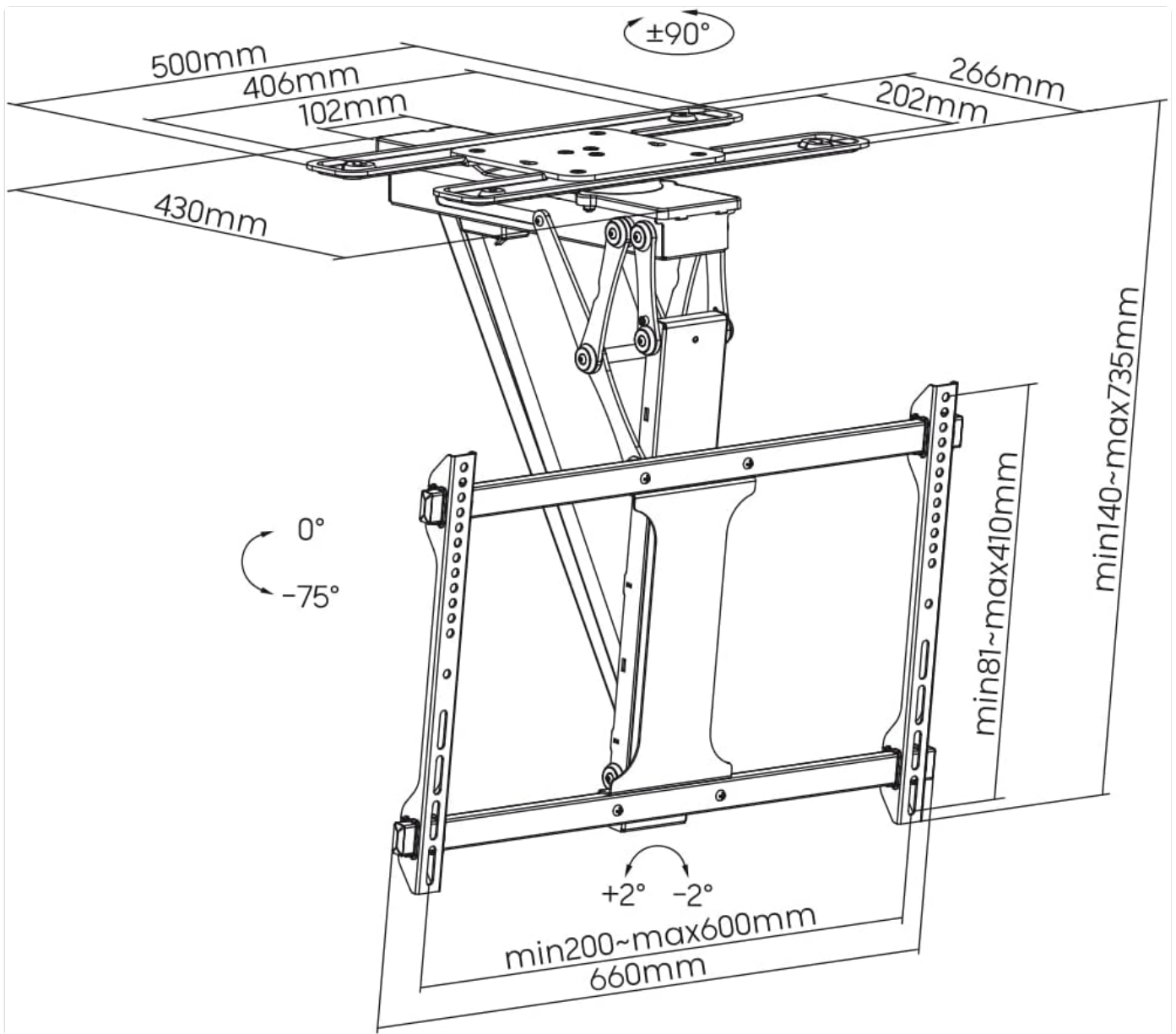


Image: A technical diagram showing the My Wall HL47ML mount's various angles of movement ( $180^\circ$  swivel,  $\pm 2^\circ$  level,  $0^\circ$  to  $-75^\circ$  tilt) and key dimensions for installation planning.

## 9. WARRANTY AND SUPPORT

For warranty information and customer support, please refer to the documentation provided with your purchase or visit the official My Wall website. Keep your proof of purchase for warranty claims.

**Manufacturer:** Transmedia Kabelverbindungen GmbH

**Model Number:** HL47ML

**ASIN:** B0C6FCJGYF

**First Available Date:** May 25, 2023

© 2024 My Wall. All rights reserved.

This manual is for informational purposes only. Specifications are subject to change without notice.