



Manuals.plus /

› BOUDECH /

› BOUDECH Sparrow 360 Inflatable Boat User Manual

BOUDECH Sparrow 360

BOUDECH Sparrow 360 Inflatable Boat User Manual

Model: Sparrow 360

Brand: BOUDECH

1. INTRODUCTION

This manual provides essential instructions for the safe and effective use of your BOUDECH Sparrow 360 inflatable boat. Please read this manual thoroughly before assembly, operation, or maintenance to ensure proper handling and to prevent injury or damage. The BOUDECH Sparrow 360 is designed for leisure navigation, serving as a tender, and for activities such as fishing, diving, water skiing, and wakeboarding in appropriate water conditions.

2. SAFETY INFORMATION

Always prioritize safety when operating any watercraft. Failure to follow safety guidelines can result in serious injury or death.

- **Read All Instructions:** Familiarize yourself with all aspects of the boat's assembly, operation, and maintenance before use.
- **Wear Life Jackets:** Always ensure all occupants wear properly fitted personal flotation devices (PFDs).
- **Check Weather Conditions:** Do not operate in adverse weather, strong currents, or high winds.
- **Load Capacity:** Do not exceed the maximum weight capacity or number of persons specified for this boat. Overloading can compromise stability and safety.
- **Inflation:** Ensure the boat is correctly inflated to the recommended pressure. Under-inflation affects performance and safety.
- **Sharp Objects:** Keep sharp objects away from the inflatable chambers to prevent punctures.
- **Children Supervision:** Children must always be supervised by an adult when near or in the boat.
- **Alcohol and Drugs:** Never operate the boat under the influence of alcohol or drugs.

3. PACKAGE CONTENTS

Upon unpacking, verify that all components are present and undamaged. The BOUDECH Sparrow 360 package typically includes:

- Inflatable Boat Hull (Sparrow 360)
- Synthetic Wood Floor Panels
- Seating Benches (Synthetic Wood)
- Oars (Pair)
- Foot Pump (or similar inflation device)
- Repair Kit
- Carry Bag

4. SETUP AND ASSEMBLY

Follow these steps to correctly assemble your BOUDECH Sparrow 360 inflatable boat.

4.1 Unpacking and Preparation

1. Unroll the boat hull on a clean, flat surface, free from sharp objects.
2. Ensure all valves are closed before beginning inflation.

4.2 Inflation

The Sparrow 360 features 4 independent air chambers for enhanced safety. Inflate each chamber sequentially to the recommended pressure, typically indicated on the boat or in a separate quick-start guide.

- Locate the inflation valves for each chamber.
- Using the provided pump, inflate each chamber partially (about 50-70%) to allow the boat to take shape.
- Once all chambers are partially inflated, begin fully inflating them one by one, ensuring even pressure distribution.
- Do not over-inflate. The boat should be firm to the touch but not rigid.





Image: Top-down view of the BOUDECH Sparrow 360 inflatable boat, showing its overall structure, synthetic wood floor, and red seating benches.

4.3 Floor and Seat Installation

The synthetic wood floor panels provide a stable platform. Install them after the boat is partially inflated.

1. Insert the synthetic wood floor panels into the designated slots on the boat's bottom. Ensure they fit snugly.
2. Once the floor is in place, fully inflate the boat chambers to secure the floor panels.
3. Attach the synthetic wood seating benches to their mounting points on the side tubes.

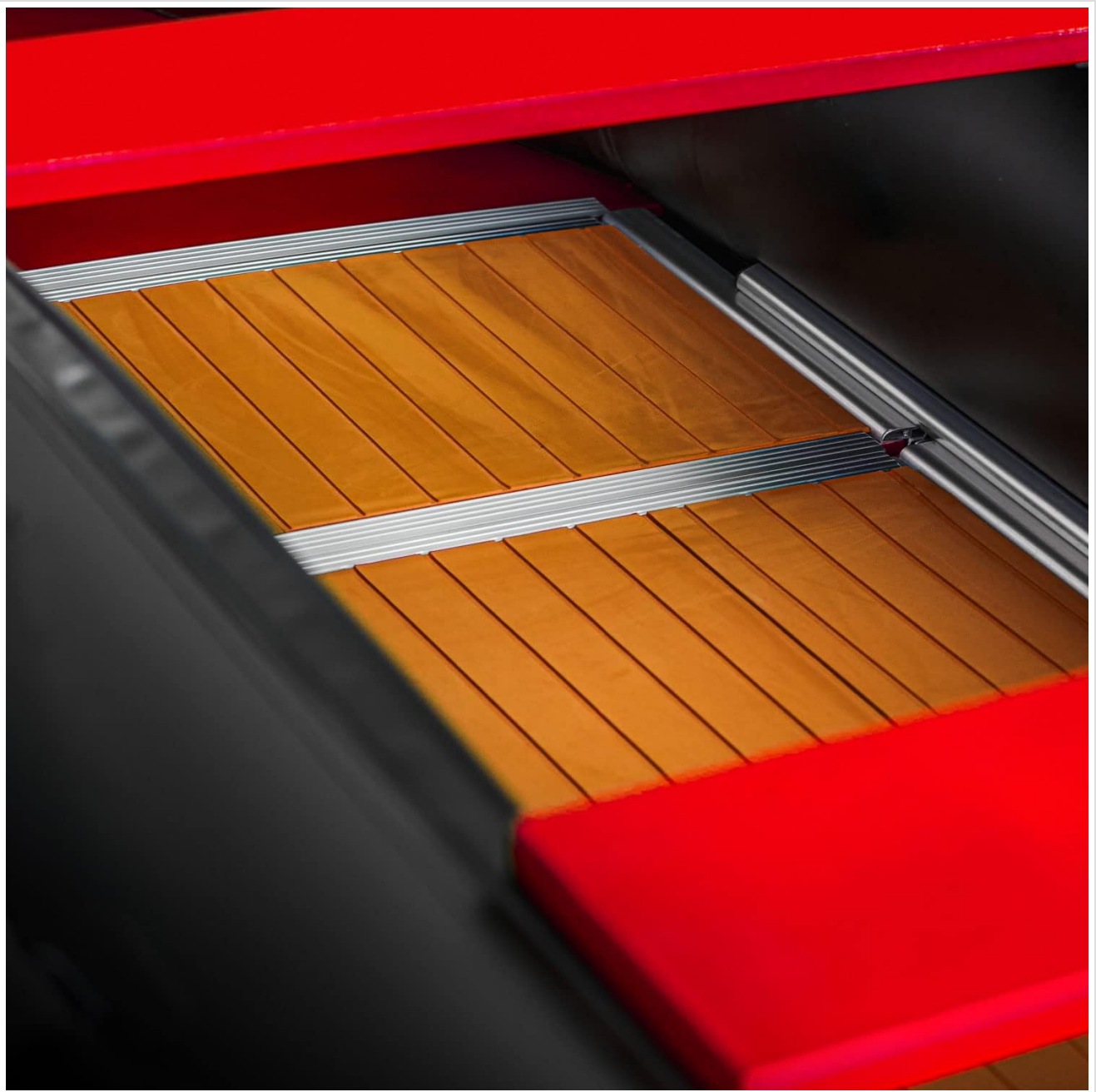


Image: Detailed view of the synthetic wood floor panels and their installation within the boat.



Image: Close-up of one of the red synthetic wood seating benches, highlighting its finish.

4.4 Oar Assembly

Assemble the oars by connecting the shaft sections and securing the blades. Insert the assembled oars into the oarlocks located on the side of the boat.

5. OPERATING INSTRUCTIONS

Proper operation ensures a safe and enjoyable experience.

5.1 Launching

1. Carry the inflated boat to the water's edge.
2. Gently push the boat into the water until it floats freely.
3. Board the boat carefully, distributing weight evenly.

5.2 Navigation

- Use the oars for propulsion. Practice rowing in calm waters.
- If using an outboard motor (not included), ensure it is securely mounted to the transom and follow the motor's specific operating instructions.
- Maintain a safe distance from other vessels, swimmers, and obstacles.
- The boat is equipped with towing hooks for easy towing if needed.



Image: The BOUDECH Sparrow 360 inflatable boat in use on water, demonstrating its stability.

6. MAINTENANCE

Regular maintenance extends the life of your inflatable boat.

6.1 Cleaning

- After each use, rinse the boat thoroughly with fresh water to remove salt, sand, and dirt.
- Use mild soap and a soft brush or sponge for stubborn stains. Avoid harsh chemicals.
- Pay attention to the drain plug for proper water drainage.

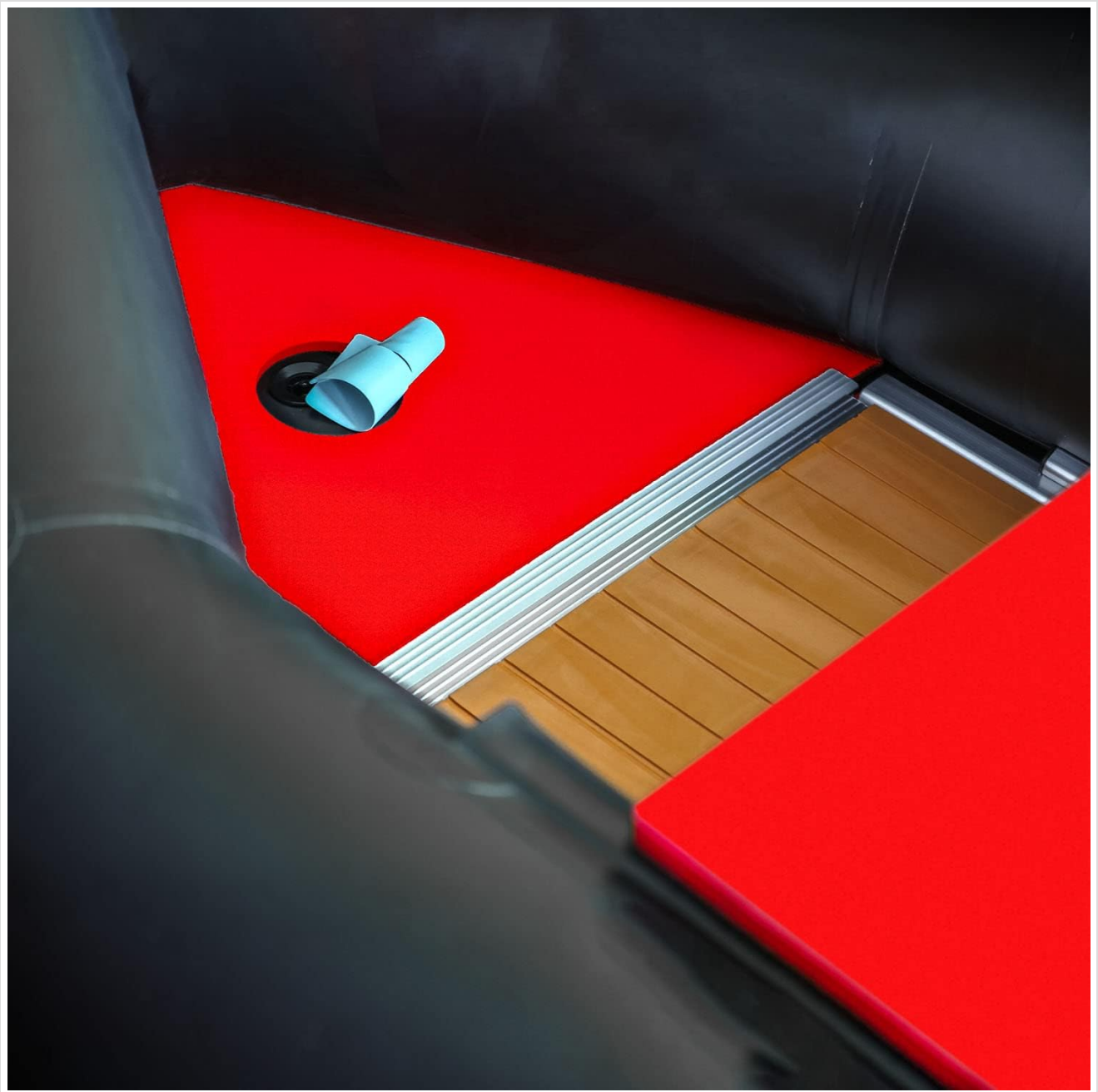


Image: Detail of the boat's interior, showing the drain plug for water removal.

6.2 Inspection and Repair

- Regularly inspect the boat for punctures, tears, or signs of wear.
- Use the provided repair kit for small punctures. Follow the instructions included with the repair kit carefully.
- For larger damage, consult a professional repair service.

7. STORAGE

Proper storage is crucial for the longevity of your inflatable boat.

1. **Deflation:** Open all valves and allow the air to escape. You can gently roll the boat to assist deflation.
2. **Drying:** Ensure the boat is completely dry before folding to prevent mold and mildew.
3. **Folding:** Fold the boat neatly to avoid sharp creases.
4. **Storage Location:** Store the boat in its carry bag in a cool, dry place, away from direct sunlight and extreme temperatures.

8. TROUBLESHOOTING

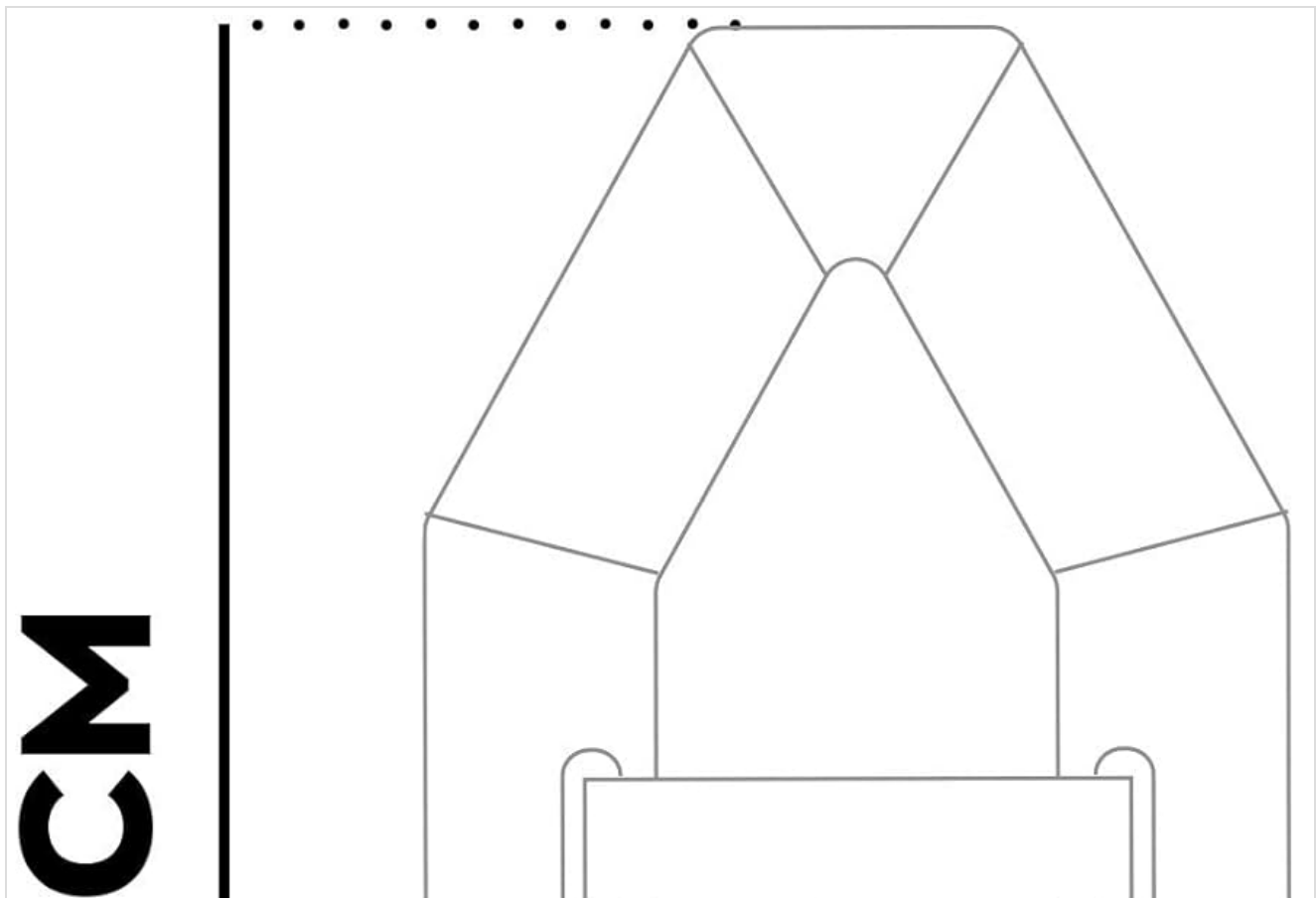
This section addresses common issues you might encounter.

- **Slow Air Leak:** Check all valves to ensure they are tightly closed. Inspect the boat surface for small punctures. Use soapy water to locate leaks by observing bubbles.
- **Difficulty Inflating:** Ensure the pump hose is securely attached to the valve and that the valve is in the open position for inflation.
- **Boat Drifts:** Verify that oars are properly installed and used. If using a motor, ensure it is functioning correctly and providing adequate thrust.

9. SPECIFICATIONS

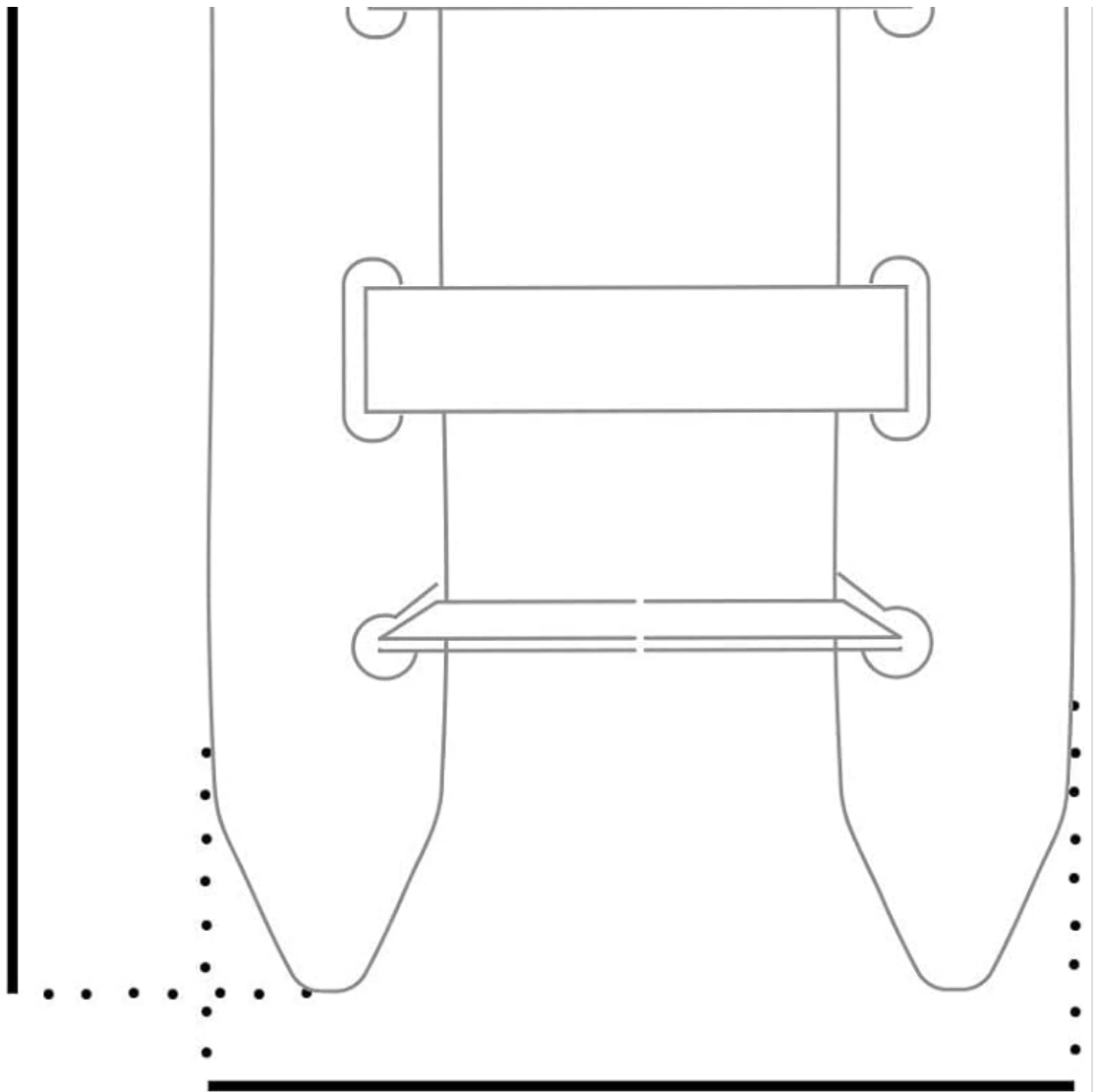
Key technical details for the BOUDECH Sparrow 360 inflatable boat:

Feature	Detail
Model	Sparrow 360
Brand	BOUDECH
Dimensions (Length x Width)	360 cm x 150 cm
Air Chambers	4
Floor Type	Synthetic Wood
Intended Use	Leisure navigation, tender, fishing, diving, water skiing, wakeboarding
Towing Hooks	Included



CM

360



150 CM

Image: Dimensional diagram of the BOUDECH Sparrow 360, indicating its length and width.

10. WARRANTY AND SUPPORT

For warranty information, please refer to the documentation provided with your purchase or contact BOUDECH customer support directly. Keep your proof of purchase for any warranty claims.

For technical assistance or inquiries, please visit the official BOUDECH website or contact their customer service department.