



[Manuals.plus](#) /

> [Allewie](#) /

> Allewie Queen Size Platform Bed Frame User Manual

## Allewie AK-WDLSCTC002

# Allewie Queen Size Platform Bed Frame User Manual

Model: AK-WDLSCTC002

### INTRODUCTION

Thank you for choosing the Allewie Queen Size Platform Bed Frame. This modern, low-profile bed frame is designed to provide both comfort and practical storage solutions for your bedroom. Featuring a durable metal frame, wooden slats, and integrated storage drawers, it offers a sturdy foundation for your mattress without the need for a box spring. This manual provides essential information for assembly, operation, maintenance, and troubleshooting to ensure a long-lasting and satisfying experience with your new bed frame.



Figure 1: Allewie Queen Size Platform Bed Frame with three integrated storage drawers.

## SAFETY INFORMATION

Please read and understand all safety instructions before assembly and use. Failure to follow these instructions may result in injury or damage to the product.

- **Weight Capacity:** Do not exceed the maximum weight capacity of **800 lbs.** This includes the weight of the mattress and occupants.
- **Pinch Points:** Be cautious of pinch points during assembly and when operating the storage drawers. Keep hands and fingers clear of moving parts.
- **Stable Surface:** Assemble the bed frame on a flat, stable surface to prevent wobbling or tipping during construction.
- **Secure Connections:** Ensure all bolts, screws, and fasteners are securely tightened before use. Periodically check and re-tighten as needed.

- **Headboard Attachment:** If attaching a custom headboard, ensure it is properly secured to the reserved holes to maintain stability and prevent detachment.
- **Children and Pets:** Keep children and pets away from the assembly area. Do not allow children to play on or under the bed frame without supervision.

## PACKAGE CONTENTS

Before beginning assembly, verify that all components listed below are present and undamaged. If any parts are missing or damaged, please contact customer support.

- Bed Frame Components (Side Rails, Center Support, Legs)
- Wooden Slats
- 3 Storage Drawers (with wire baskets and wheels)
- Assembly Hardware (bolts, washers, nuts, hex key)

## RESERVED SPACE FOR END TABLE

Storage drawers open and close without obstruction,  
convenient for daily use



Figure 2: All components of the bed frame, including the frame, wooden slats, and three storage drawers. Dimensions are also shown.

## SETUP (ASSEMBLY)

Assembly of the Allewie Platform Bed Frame is designed to be straightforward. While specific step-by-step instructions are provided in the included assembly guide, here are general guidelines and tips:

1. **Preparation:** Clear a spacious area for assembly. Lay out all components and hardware. It is recommended to have two people for assembly.
2. **Frame Assembly:** Begin by connecting the main frame components (side rails, headboard/footboard sections, and center support). Ensure all connections are firm but do not fully tighten bolts until the entire frame is assembled.
3. **Slat Installation:** Install the wooden slats onto the frame. The slats are designed for solid support and eliminate the need for a box spring. Non-slip strips are integrated to prevent mattress movement and reduce noise.
4. **Drawer Assembly:** Assemble the three storage drawers. These drawers feature wire baskets and wheels for easy movement under the bed.
5. **Final Tightening:** Once all components are in place, systematically tighten all bolts and fasteners.
6. **Headboard Compatibility:** The bed frame features reserved holes on the legs, allowing for easy attachment of a custom headboard if desired. These holes provide 10.5 inches of under-bed storage space.

# 3 STORAGE DRAWERS DESIGN

Offer ample storage space for your bedding, clothes, etc



*Figure 3: Detail of the thoughtful design, highlighting the reserved holes for headboard attachment and the 10.5-inch under-bed clearance.*

# ANTI-MATTRESS SLIDING

**Embedded Design  
No Slipping**



**Non-embedded Design  
Easy to Move**

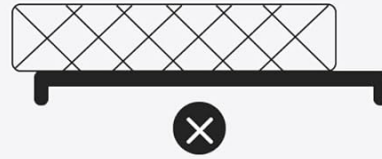


Figure 4: Illustration of the solid wooden slats support system and the unique lock design that enhances the bed frame's stability.

## OPERATING FEATURES

The Allewie Platform Bed Frame is designed with user convenience in mind, offering practical features for daily use.

### Storage Drawers

The bed frame includes three spacious storage drawers: one on each side and one large drawer at the foot of the bed. These drawers are ideal for storing bedding, clothes, and other accessories, helping to keep your room organized. They are designed to slide smoothly on wheels for easy access.



*Figure 5: The three storage drawers offer ample space for organizing your bedroom essentials.*

### **Reserved Space for End Tables**

The design ensures that the storage drawers can open and close without obstruction, even with end tables placed beside the bed. This thoughtful design provides convenience for daily use.

# THOUGHTFUL DESIGN



Figure 6: The bed frame is designed with sufficient clearance to allow drawers to open freely even with bedside furniture.

## Anti-Mattress Sliding Design

The bed frame incorporates an embedded design with non-slip strips on the slats. This feature helps to prevent your mattress from sliding and ensures it stays securely in place, contributing to a stable and quiet sleeping environment.



Figure 7: The embedded design of the bed frame prevents mattress slippage, ensuring stability.

## MAINTENANCE

Proper care will help maintain the appearance and longevity of your Allewie bed frame.

- **Cleaning:** Regularly dust the frame with a soft, dry cloth to remove accumulated dirt. For any stains on the faux leather upholstery, use a gentle cleaner specifically designed for faux leather and a clean, damp cloth. Avoid harsh chemicals or abrasive cleaners.
- **Hardware Check:** Periodically inspect all bolts and fasteners to ensure they remain tight. Re-tighten any loose connections to maintain the bed frame's stability and prevent squeaks.
- **Drawer Care:** Keep the drawer wheels free of debris to ensure smooth operation. If drawers become difficult to slide, check for obstructions or clean the wheel mechanisms.

## TROUBLESHOOTING

Here are solutions to common issues you might encounter with your bed frame:

- **Squeaking Noises:**  
If the bed frame makes noise, check all assembly bolts and ensure they are securely tightened. The non-slip strips and unique buckle structure are designed to prevent noises, but loose connections can still cause issues. Ensure the wooden slats are properly seated in their supports.
- **Drawers Not Sliding Smoothly:**  
Check the wheels on the bottom of the drawers for any debris or hair that might be obstructing their movement. Ensure the drawers are aligned correctly within the bed frame's opening. Sometimes, a bedspread or duvet can get caught, preventing smooth operation; adjust bedding as needed.
- **Mattress Shifting:**  
The bed frame features an anti-slip design. If your mattress is still shifting, ensure it is centered on the slats and that the non-slip strips are clean and intact. Heavy mattress toppers might also contribute to slight movement.
- **Bed Frame Appears Unstable:**  
Re-check all connections and ensure every bolt is fully tightened. Verify that the bed frame is placed on a level floor. Uneven flooring can cause instability.

## SPECIFICATIONS

Size	Queen
Product Dimensions (L x W x H)	80.7" x 61.8" x 12"
Color	Black Leather
Material	Faux Leather Upholstered, Metal, Wooden Slats

Weight Capacity	800 lbs
Item Weight	77 pounds
Box Spring Needed	No
Assembly Required	Yes
Model Number	AK-WDLSCTC002
UPC	749655395856

# QUEEN SIZE

L \* W \* H : 80.7 \* 61.8 \* 12 in.

Max Capacity: 800lbs

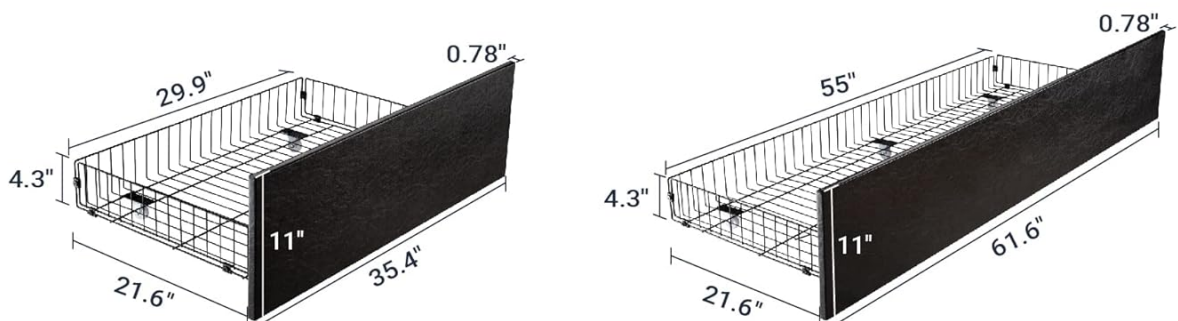
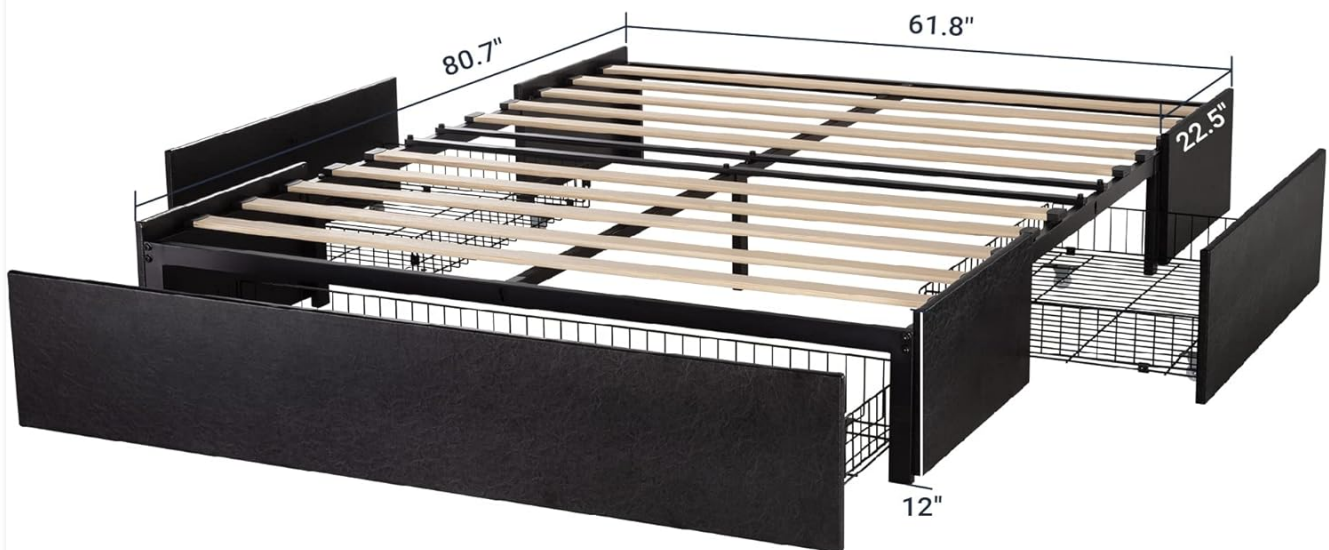


Figure 8: Key dimensions and maximum weight capacity for the Queen size bed frame.

## WARRANTY AND SUPPORT

Allewie is committed to providing high-quality products. While specific warranty details are not provided in this

manual, please retain your proof of purchase for any warranty claims.

For product support, missing parts, or any inquiries, please contact Allewie customer service through the retailer where the product was purchased or visit the official Allewie website for contact information.

**Customer Support:** [Visit the Allewie Store on Amazon](#)