



[Manuals.plus](#) /

› [GRIFEMA](#) /

› GRIFEMA GB1005-2 TV Stand User Manual

## GRIFEMA GB1005-2

# GRIFEMA GB1005-2 TV Stand User Manual

Model: GB1005-2 | Brand: GRIFEMA

## INTRODUCTION

---

Thank you for choosing the GRIFEMA GB1005-2 TV Stand. This universal table TV stand is designed to securely hold most LCD, LED, OLED, Plasma, Curved, and Flat screens ranging from 17 to 43 inches. It features adjustable height and a swivel function for optimal viewing angles, along with integrated cable management for a tidy setup. This manual provides detailed instructions for safe installation, operation, and maintenance of your TV stand.



Image: The fully assembled GRIFEMA GB1005-2 TV Stand, showcasing its sleek black design and sturdy base, ready to support a television.

## IMPORTANT SAFETY INFORMATION

---

Please read all instructions carefully before assembly and use. Failure to follow these instructions may result in property damage, serious injury, or death. If you have any questions, please contact customer support.

- Do not exceed the maximum weight capacity of 30 kg (66 lbs).
- Ensure your TV's VESA pattern is compatible (75x75mm, 100x100mm, 200x100mm, 200x200mm).
- This stand is designed for TVs between 17 and 43 inches.
- Always use two people to lift and place the TV onto the stand.
- Place the stand on a stable, level surface.
- Keep children and pets away during assembly.

## PACKAGE CONTENTS

---

Before beginning assembly, verify that all parts are present and undamaged. Refer to the parts list below and the accompanying image.

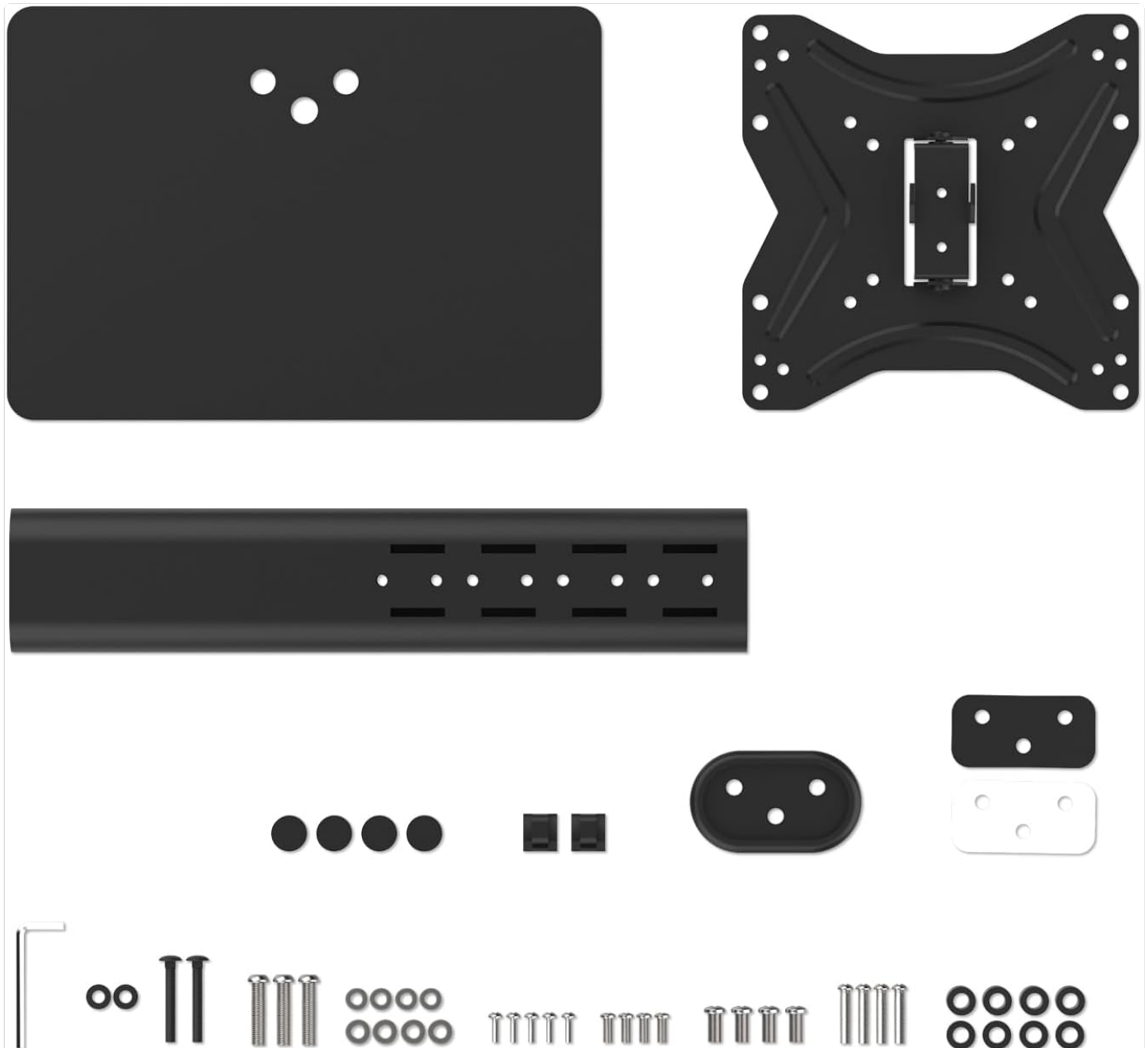


Image: An overhead view displaying all components included with the GRIFEMA GB1005-2 TV Stand, neatly laid out, including the base, support column, VESA plate, and various screws and accessories.

## Parts List:

- TV Stand Base (Tempered Glass)
- Support Column
- VESA Mounting Plate
- Cable Management Clips
- Anti-slip Rubber Feet
- Assorted Screws, Washers, and Spacers for TV mounting
- Assembly Tools (e.g., Hex Key)

## SETUP AND ASSEMBLY

---

Follow these steps carefully to assemble your GRIFEMA GB1005-2 TV Stand.

### Step 1: Attach Support Column to Base

Secure the main support column to the tempered glass base using the provided screws. Ensure the column is firmly attached and stable.

### Step 2: Install VESA Mounting Plate

Attach the VESA mounting plate to the support column. This plate will hold your TV. Ensure it is oriented correctly for cable routing.

### Step 3: Determine VESA Compatibility and Attach Brackets to TV

Before attaching your TV, identify its VESA mounting pattern. The stand supports 75x75mm, 100x100mm, 200x100mm, and 200x200mm. Select the appropriate screws and spacers from the hardware kit to attach the VESA mounting brackets to the back of your TV.



# Available VESA Patterns

The VESA mounting patterns are the distances (in mm) between the four screw holes on the back of the TV.

75x75mm / 100x100mm / 200x100mm / 200x200mm

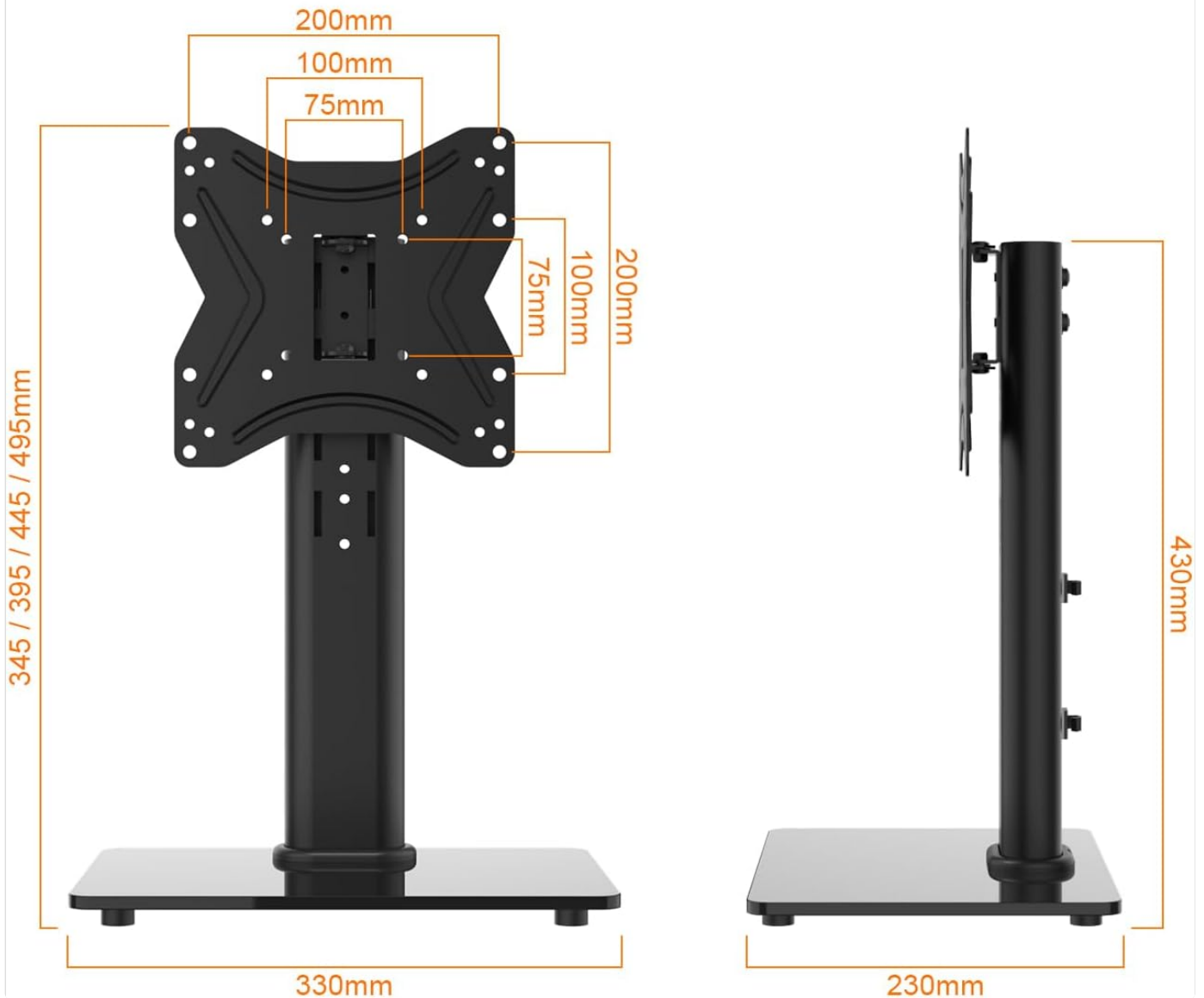


Image: A diagram illustrating the various VESA mounting patterns (75x75mm, 100x100mm, 200x100mm, 200x200mm) supported by the stand, along with overall dimensions of the stand.

## Step 4: Mount TV onto Stand

With assistance, carefully lift your TV and hook the VESA brackets onto the mounting plate on the stand. Secure the TV using the locking screws or mechanisms provided. Ensure the TV is level and securely fastened.

## Step 5: Adjust Height

The stand offers 4 levels of height adjustment. To adjust, loosen the screws on the support column, slide the TV (with assistance) to the desired height, and re-tighten the screws firmly. This allows for optimal viewing experience based on your setup.

# 4 heights can be adjusted



Image: A visual representation showing the four adjustable height levels of the GRIFEMA GB1005-2 TV Stand, with indicators for the different height settings along the central column.

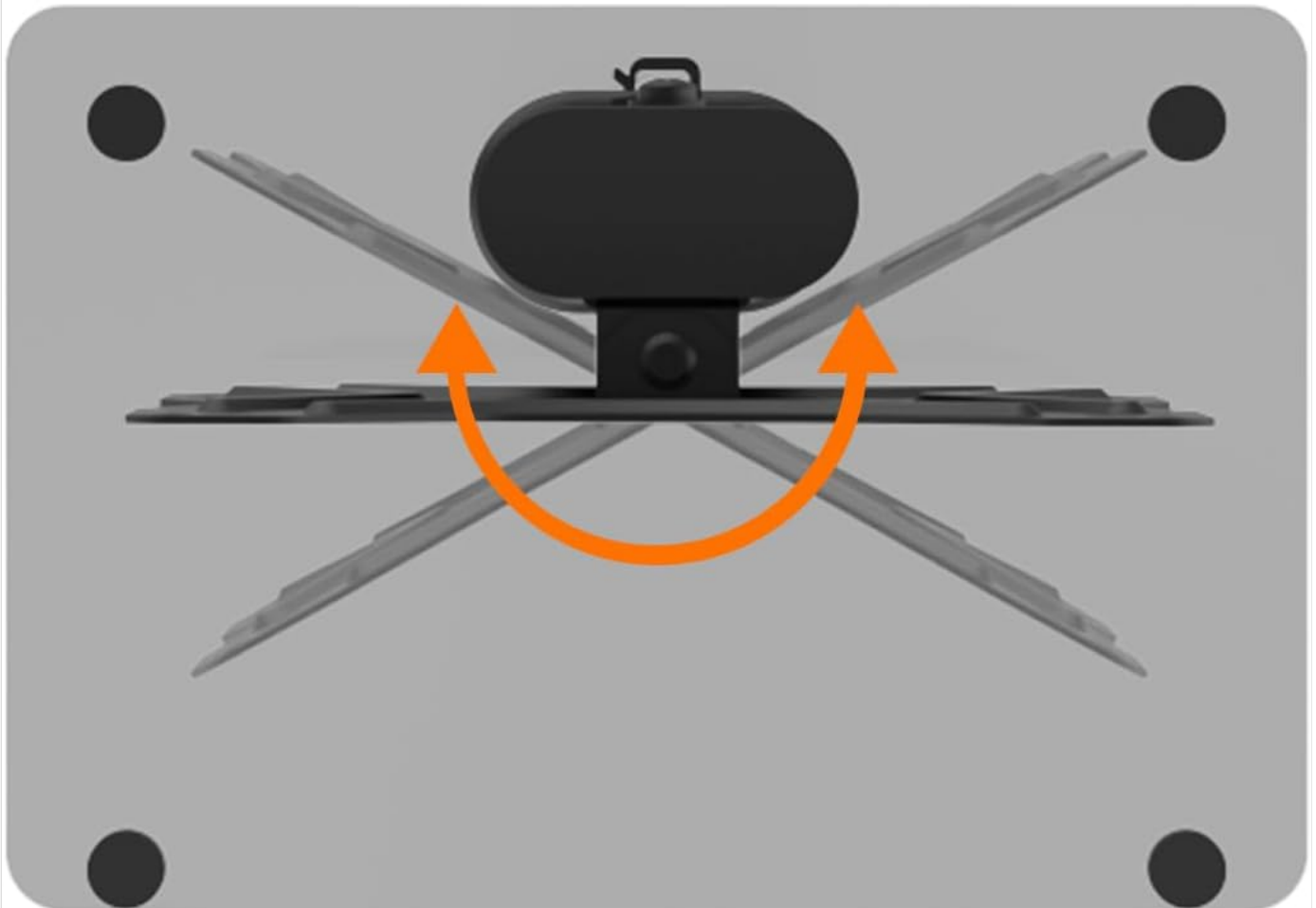
## OPERATING INSTRUCTIONS

---

### Swivel Function

The GRIFEMA GB1005-2 TV Stand allows for a  $\pm 30^\circ$  swivel (15 degrees left or right) to provide a wider range of viewing angles. Gently rotate the TV to the desired position. The maximum swivel angle may vary slightly depending on the size of your television.

# Swivel: $\pm 30^\circ$



**Max Loading: 30KG / 66lbs**

Image: A top-down diagram illustrating the  $\pm 30^\circ$  swivel capability of the TV stand, showing the range of motion for the television.

## Cable Management

Utilize the integrated cable management system to keep your cables organized and out of sight. Route power and AV cables through the clips or channels on the back of the support column for a clean and tidy entertainment area.



Image: A detailed view highlighting key features of the stand, including the integrated cable management system on the column, the polished 8mm tempered glass base, and the anti-slip rubber feet.

## MAINTENANCE

---

Regular maintenance will ensure the longevity and safe operation of your TV stand.

- **Cleaning:** Use a soft, damp cloth to clean the stand. Avoid abrasive cleaners or solvents that could damage the finish or glass.
- **Inspection:** Periodically check all screws and connections to ensure they remain tight. Re-tighten if necessary.
- **Glass Care:** The tempered glass base is durable, but avoid dropping heavy objects on it or striking it with sharp objects.

## TROUBLESHOOTING

---

If you encounter any issues with your TV stand, refer to the following common problems and solutions:

Problem	Possible Cause	Solution
---------	----------------	----------

Problem	Possible Cause	Solution
TV is not stable on the stand.	Screws are loose; TV weight/size exceeds limits; stand not on level surface.	Ensure all assembly screws are tightened. Verify TV weight (max 30kg) and size (max 43 inches) are within limits. Place stand on a flat, stable surface.
TV does not fit the VESA plate.	Incorrect VESA pattern.	Confirm your TV's VESA pattern is one of the supported sizes: 75x75mm, 100x100mm, 200x100mm, 200x200mm.
Difficulty adjusting height or swivel.	Screws too tight; obstruction.	Loosen height adjustment screws before attempting to slide. Ensure no cables or objects obstruct the swivel mechanism.

## SPECIFICATIONS

---

**Model:** GB1005-2

**Brand:** GRIFEMA

**Compatible TV Sizes:** 17 - 43 inches

**VESA Compatibility:** 75x75mm, 100x100mm, 200x100mm, 200x200mm

**Maximum Weight Capacity:** 30 kg (66 lbs)

**Swivel Angle:**  $\pm 30^\circ$  (15 degrees left or right)

**Height Adjustment:** 4 levels (345 / 395 / 445 / 495mm)

**Base Material:** 8mm Tempered Safety Glass

**Column Material:** Alloy Steel

**Product Dimensions:** 33 x 23 x 49.5 cm (L x W x H)

**Item Weight:** 3.59 kg

© 2024 GRIFEMA. All rights reserved.

For customer support, please refer to your product packaging or retailer's website.