

[Manuals.plus](#) /

> [Ibergrif](#) /

> Ibergrif Faucet Aerator with Filter and 4-Jet Modes, Model M91006-1 User Manual

Ibergrif M91006-1

Ibergrif Faucet Aerator with Filter and 4-Jet Modes

Model: M91006-1

INTRODUCTION

Thank you for choosing the Ibergrif Faucet Aerator M91006-1. This manual provides essential information for the proper installation, operation, and maintenance of your new faucet aerator. Please read these instructions carefully before use and retain them for future reference.

PRODUCT OVERVIEW

The Ibergrif M91006-1 is a versatile faucet aerator designed to enhance your kitchen or bathroom sink experience. It features a 720° rotatable design, multiple water flow modes, and an integrated filter for improved water quality and conservation.

Key Features:

- **720° Rotatable Design:** Allows flexible control over water flow direction for convenience.
- **Dual Flow Modes:** Easily switch between bubble stream and shower spray by rotating the nozzle.
- **Above Water Mode:** Provides an upward stream for easy bottle filling.
- **Pressure Adjustment:** Fine-tune water pressure for various tasks.
- **Easy Installation:** Compatible with M22 external and M24 internal threaded faucets, with an included adapter.
- **Durable Construction:** Made from robust metal for long-lasting performance.

Components Included:

- Ibergrif Faucet Aerator (M91006-1)
- Adapter for M24 female threaded faucets
- Installation Wrench



Image: The Ibergrif Faucet Aerator M91006-1 shown with its adapter and installation wrench.

SPECIFICATIONS

Model Number	M91006-1
Dimensions (L x W x H)	8 x 4.5 x 7 cm
Weight	110 grams
Material	Metal
Finish Type	Polished
Thread Size Compatibility	M22 (external thread), M24 (internal thread)
Water Efficiency	WaterSense compliant

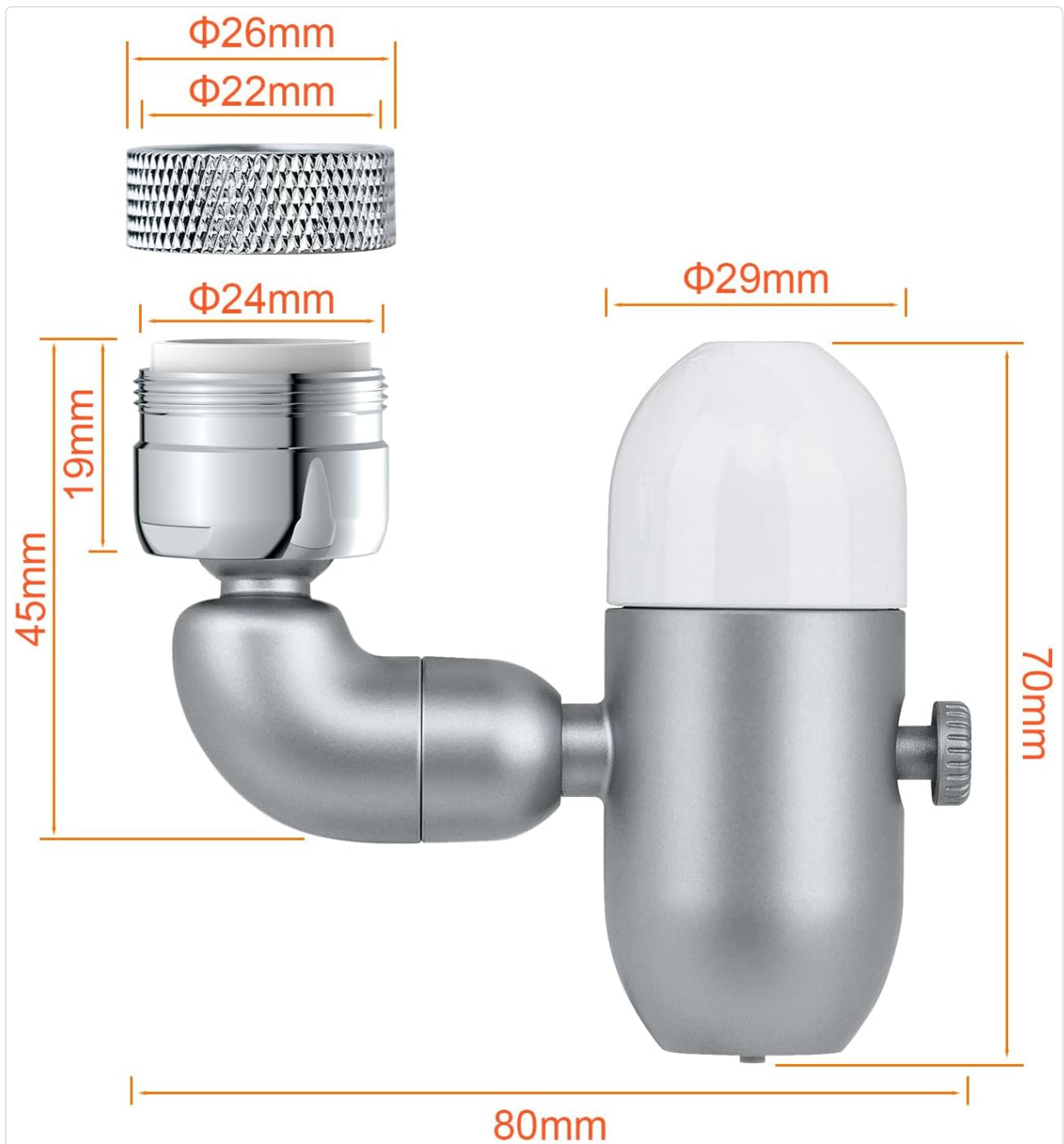


Image: Dimensional drawing of the faucet aerator, indicating thread sizes and overall product measurements.

SETUP AND INSTALLATION

Before installation, ensure your faucet is compatible with M22 external or M24 internal threads. Turn off the water supply to the faucet before beginning.

Installation Steps:

- 1. Remove Existing Aerator:** Unscrew the current aerator from your faucet. If it's tight, use a wrench.
- 2. Determine Faucet Thread Type:**
 - If your faucet has an **M22 male thread** (external thread), you can screw the Ibergrif aerator directly onto the faucet.
 - If your faucet has an **M24 female thread** (internal thread), first attach the provided adapter to the faucet, then screw the Ibergrif aerator onto the adapter.
- 3. Attach the Aerator:** Hand-tighten the Ibergrif aerator (or adapter first, then aerator) onto the faucet. Use the provided installation wrench for a snug fit, but do not overtighten.

4. **Check for Leaks:** Turn on the water supply and check for any leaks. If leaks occur, tighten slightly more.



Image: Visual guide for faucet compatibility and installation methods.

OPERATING INSTRUCTIONS

The Ibergrif Faucet Aerator offers multiple functionalities for various uses.

1. 720° Rotation:

The aerator head can be rotated 720 degrees, allowing you to direct the water flow precisely where needed. This flexibility is ideal for washing dishes, rinsing the sink, or cleaning your face.

Multi-angle Adjustable

Meet your various use needs



Image: The aerator head swiveling to various angles for flexible use.

2. Dual Flow Modes:

To switch between the two primary water flow modes, simply rotate the nozzle at the end of the aerator.

- **Bubble Mode:** Provides a soft, aerated stream, ideal for handwashing and general use, reducing splash.
- **Shower Mode:** Delivers a wider, stronger spray, suitable for rinsing fruits, vegetables, or cleaning the sink.



Image: Demonstrating the two water flow modes and how to switch between them by rotating the nozzle.

3. Above Water Mode and Pressure Adjustment:

The aerator features a unique 'Above Water' mode for filling containers or rinsing upwards. A side knob allows for pressure adjustment.

- **Above Water Mode:** Push the central button to redirect water upwards, creating a fountain-like stream. This is convenient for quickly filling bottles or rinsing your mouth.
- **Pressure Adjustment:** Use the small knob on the side of the aerator to increase or decrease the water pressure according to your needs.



Image: How to activate the 'Above Water' mode and adjust water pressure using the side knob.

MAINTENANCE

Regular cleaning will ensure optimal performance and longevity of your Ibergrif Faucet Aerator.

Cleaning the Nozzle:

1. **Turn off Water:** Ensure the water supply to the faucet is off.
2. **Remove Nozzle:** Gently unscrew or detach the aerator nozzle.
3. **Clean Filter Screen:** Rinse the filter screen under running water to remove any debris or mineral buildup. For stubborn deposits, use a soft brush or a solution of equal parts white vinegar and water.
4. **Reassemble:** Once clean, reattach the nozzle and turn on the water supply to check for proper function.



Image: Close-up of the aerator nozzle, highlighting its easy-to-clean design.

TROUBLESHOOTING

If you encounter any issues with your Ibergrif Faucet Aerator, please refer to the following common problems and solutions:

- **Low Water Flow:**
 - Check if the filter screen is clogged. Refer to the Maintenance section for cleaning instructions.
 - Ensure the pressure adjustment knob is set to a higher flow.
- **Leaking:**
 - Ensure the aerator (and adapter, if used) is securely tightened to the faucet. Do not overtighten.
 - Check if the rubber washer is properly seated and not damaged.
- **Difficulty Switching Modes:**
 - Mineral buildup can sometimes cause stiffness. Clean the nozzle as described in the Maintenance section.

WARRANTY AND SUPPORT

Ibergrif products are manufactured with quality and durability in mind. For specific warranty information or technical support, please refer to the warranty card included with your purchase or visit the official Ibergrif website. Keep your purchase receipt as proof of purchase.