

AUXITO D1S/D1R

AUXITO D1S/D1R LED Bulb Instruction Manual

1. INTRODUCTION

This manual provides detailed instructions for the installation, operation, and maintenance of your AUXITO D1S/D1R LED Bulbs. Please read this manual thoroughly before installation and use to ensure proper function and safety. These LED bulbs are designed as a direct replacement for D1S, D1R, and D1C OEM Xenon HID bulbs, offering enhanced brightness and a longer lifespan.

The AUXITO D1S/D1R LED bulbs feature a 1:1 mini size design for easy integration with your vehicle's original HID ballast, eliminating the need for extra wiring or external drivers. They are equipped with advanced CSP chips, delivering 24000 lumens of brightness and a 6000K white light, significantly brighter than standard HID bulbs. An efficient cooling system, including a space aluminum housing, vacuum heat pipe, and a 12,000 RPM turbo fan, ensures stable performance and a lifespan of over 50,000 hours. The precise beam pattern, achieved with a 0.03-inch ultra-thin copper plate, prevents glare to oncoming traffic while providing wide and far illumination.

2. SAFETY INFORMATION

- Always wear protective gloves and eyewear during installation.
- Ensure the vehicle's engine is off and the battery is disconnected before beginning installation to prevent electrical shock.
- Avoid touching the LED chips directly, as oils from your skin can reduce their lifespan.
- Do not look directly into the illuminated bulb, as the high intensity light can cause eye strain or damage.
- Verify that the bulbs are securely installed and all connections are tight to prevent flickering or malfunction.
- If you are unsure about any step of the installation process, consult a qualified automotive technician.

3. PACKAGE CONTENTS

Upon opening your AUXITO D1S/D1R LED Bulb package, you should find the following items:

- 2x AUXITO D1S/D1R LED Bulbs
- 1x User Manual (this document)

- 1x Pair of Gloves

4. SPECIFICATIONS

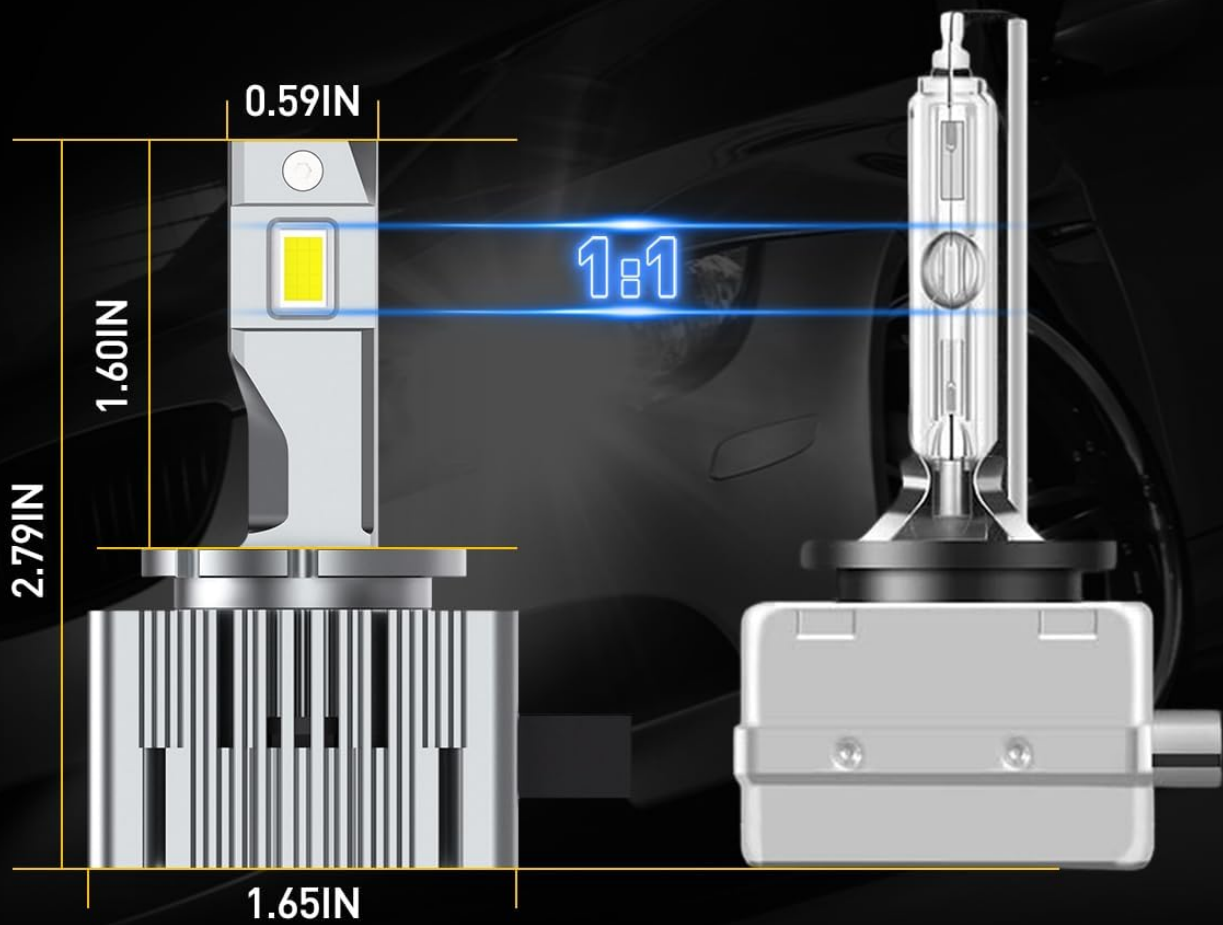
Feature	Specification
Model Number	D1S/D1R
Brand	AUXITO
Brightness	24000 Lumens (per pair)
Color Temperature	6000 Kelvin (White)
Operating Life	50,000+ Hours
Light Source Type	LED (CSP Chips)
Specific Uses	Xenon HID Replacement Lights
Cooling System	Space Aluminum Housing, Vacuum Heat Pipe, 12,000 RPM Turbo Fan
Waterproof Rating	IP67
Dimensions (approx.)	11.4 x 11.1 x 7.19 cm (Package)
Weight (approx.)	272 g (Package)

5. INSTALLATION GUIDE

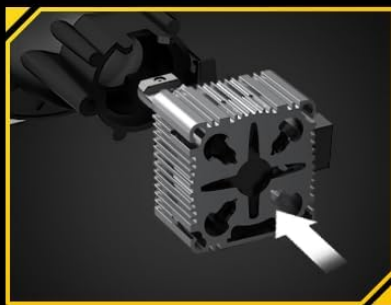
The AUXITO D1S/D1R LED bulbs are designed for a straightforward, plug-and-play installation, typically completed within 10 minutes. Follow these steps carefully:

- 1. Preparation:** Ensure your vehicle is turned off and cool. Disconnect the negative terminal of the car battery for safety.
- 2. Access the Headlight Assembly:** Locate the headlight assembly in your vehicle. Depending on your vehicle model, you may need to remove some components (e.g., air intake, battery cover) to gain access to the back of the headlight.
- 3. Remove the Stock HID Bulb:** Carefully disconnect the wiring harness from the existing HID ballast and bulb. Then, unclip or twist to remove the old D1S/D1R HID bulb from its housing. Handle the old bulb with care, as HID bulbs contain high-pressure gas.
- 4. Install the AUXITO LED Bulb:** Insert the AUXITO D1S/D1R LED bulb into the headlight housing. Ensure the bulb is seated correctly and secured with any clips or locking mechanisms. The 1:1 mini design ensures a perfect fit.
- 5. Connect to Original Ballast:** Connect the AUXITO LED bulb's connector directly to your vehicle's original HID ballast plug. Ensure a secure and tight connection.
- 6. Test Functionality:** Reconnect the car battery. Turn on your vehicle's headlights to test the new LED bulbs. Verify that both bulbs illuminate correctly and that the beam pattern is appropriate.
- 7. Final Assembly:** Once confirmed working, reassemble any components removed during step 2.

1:1 MINI DESIGN



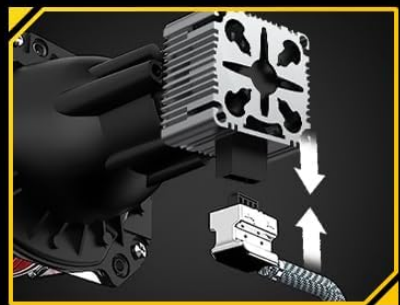
10 MINUTES EASY INSTALLATION



Step 1



Step 2



Step 3

Image: This image illustrates the 1:1 mini design of the AUXITO D1S/D1R LED bulb compared to a traditional HID bulb, highlighting its compact size for easy installation. It also shows a three-step visual guide for the quick installation process.

Installation Videos:

Video: This video demonstrates the installation process for D3S/D3R LED bulbs. While the model number differs slightly, the general steps for replacing HID bulbs with LED equivalents are similar and can provide a helpful visual guide for D1S/D1R installation.

Video: This video provides an installation guide for WinPower D1S

LED Headlight Bulbs. The installation procedure shown is highly relevant to AUXITO D1S/D1R LED bulbs, offering a direct visual reference for the replacement process.

6. OPERATION

Once installed, your AUXITO D1S/D1R LED bulbs operate like your vehicle's original headlights. Simply turn on your vehicle's lighting system to activate the bulbs. The advanced design ensures instant full brightness without any warm-up time, providing immediate clear visibility.

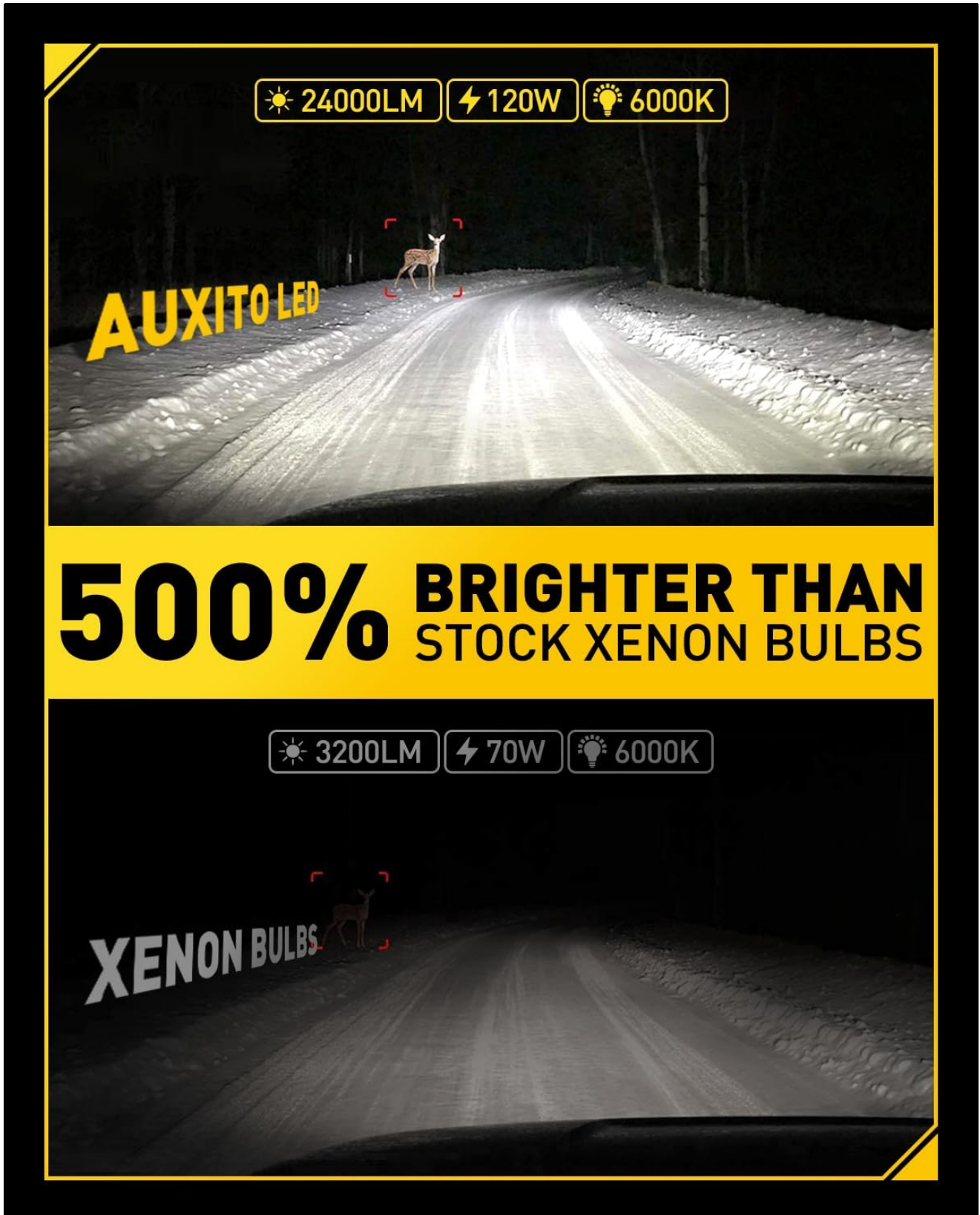


Image: This graphic compares the light output of AUXITO LED bulbs (top) with traditional Xenon bulbs (bottom), demonstrating the

significantly increased brightness and wider illumination provided by the LED upgrade.

ATV/UTV LED BULBS

- IP67 Waterproof
- High Temperature Resistant
- Coldproof



Image: This image showcases the AUXITO LED bulbs installed on an ATV/UTV, emphasizing their robust design with IP67 waterproof, high temperature resistant, and coldproof features, suitable for various challenging environments.

7. MAINTENANCE

AUXITO D1S/D1R LED bulbs are designed for minimal maintenance due to their long lifespan and durable construction. However, periodic checks can help ensure optimal performance:

- **Regular Inspection:** Periodically check the headlight assembly for any signs of damage, loose connections, or accumulation of dirt and debris.
- **Cleaning:** If the headlight lens becomes dirty, clean it with a soft cloth and a mild automotive cleaning solution. Avoid abrasive cleaners that could scratch the lens.
- **Cooling System:** Ensure that the area around the bulb's cooling fan is free from obstructions to allow for proper heat dissipation.



Image: This detailed illustration highlights the components of the AUXITO D1S/D1R LED bulb's efficient cooling system, including the vacuum heat pipe, fin heat sink, and aluminum housing, all working with a 12,000 RPM turbo fan to maximize heat dissipation.

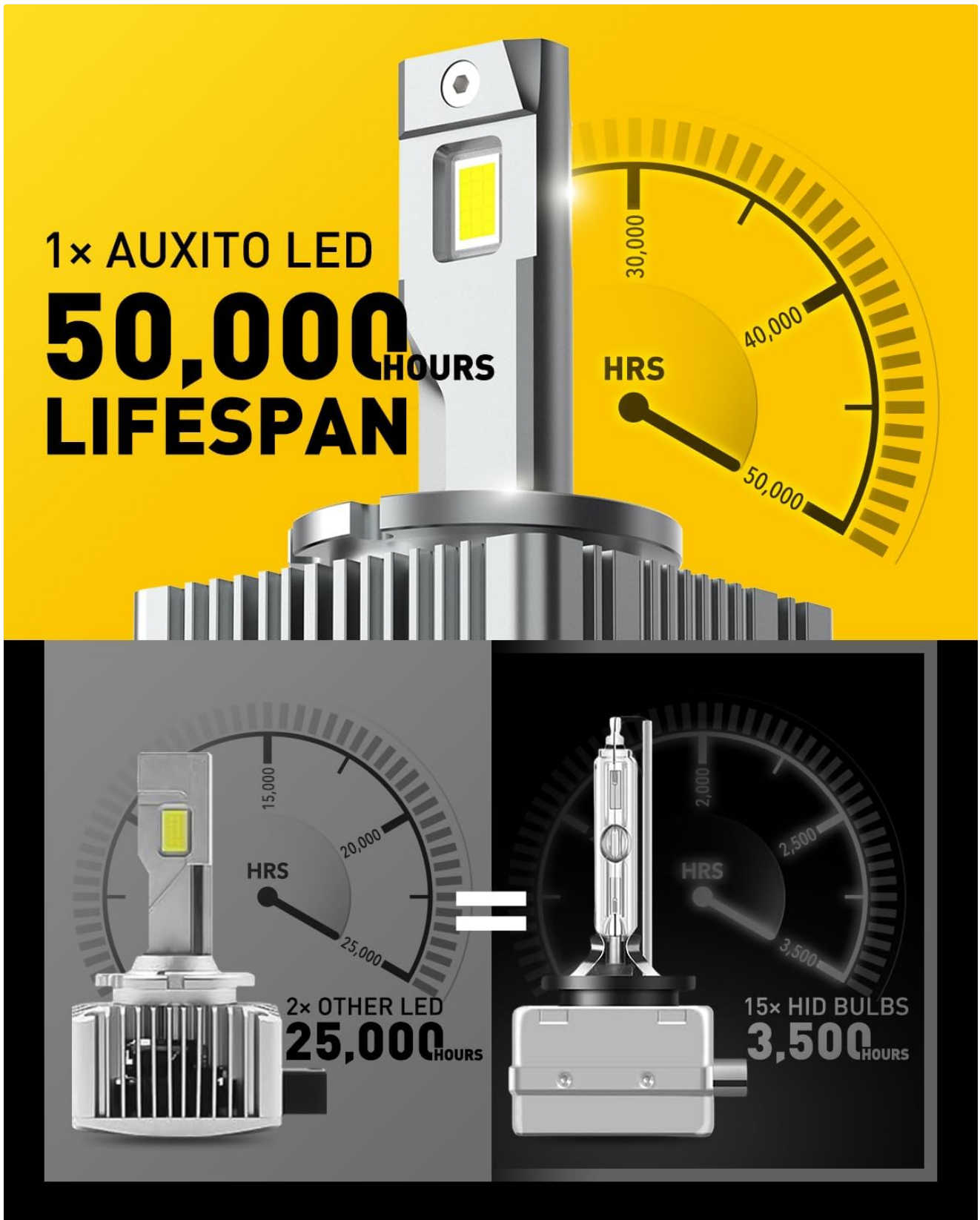


Image: This graphic visually represents the extended lifespan of AUXITO LED bulbs, indicating over 50,000 hours of operation, significantly outlasting other LED bulbs and traditional HID bulbs.

8. TROUBLESHOOTING

If you encounter issues with your AUXITO D1S/D1R LED bulbs, refer to the following common troubleshooting steps:

Problem	Possible Cause	Solution
---------	----------------	----------

Problem	Possible Cause	Solution
Bulb does not light up	Loose connection, incorrect polarity, faulty bulb, vehicle fuse issue.	Check all connections to ensure they are secure. Try reversing the bulb's plug if it's not lighting up (some LED bulbs are polarity sensitive). Inspect vehicle fuses. If still not working, contact customer support.
Bulb flickers or turns off intermittently	Loose connection, incompatible ballast, CANBUS error (less common with direct HID replacement).	Ensure all connections are tight. While these bulbs are designed to work with original HID ballasts, an aging or faulty ballast could cause issues. If flickering persists, consult a professional.
Beam pattern is incorrect or scattered	Bulb not seated correctly, headlight assembly issue.	Re-seat the LED bulb in the housing, ensuring it is fully inserted and locked into place. The LED chips should ideally face 3 and 9 o'clock positions for optimal beam.
Bulb stopped working after a short period	Overheating, electrical issue, manufacturing defect.	Ensure adequate ventilation around the bulb's cooling system. Check for any vehicle electrical issues. If the problem persists, contact AUXITO customer support for assistance, especially if within the warranty period.

9. WARRANTY AND SUPPORT

AUXITO stands behind the quality of its products. While specific warranty details may vary by retailer or region, generally, AUXITO products are covered by a manufacturer's warranty against defects in materials and workmanship. Please retain your proof of purchase for warranty claims.

For technical support, warranty inquiries, or any questions regarding your AUXITO D1S/D1R LED Bulbs, please contact AUXITO customer service through the retailer where you purchased the product or visit the official AUXITO website for contact information.

Contact Information: Refer to your purchase documentation or the official AUXITO website for the most current customer support details.