



Manuals.plus /

› FAMAPY /

› FAMAPY 4-Door Wardrobe Closet with Mirror and Storage - Instruction Manual

FAMAPY 4-Door Wardrobe Closet with Mirror (63W x 19.7D x 70.9H)

FAMAPY 4-Door Wardrobe Closet with Mirror and Storage

Model: 4-Door Wardrobe Closet with Mirror (63W x 19.7D x 70.9H)

Brand: FAMAPY

INTRODUCTION

Thank you for choosing the FAMAPY 4-Door Wardrobe Closet. This manual provides detailed instructions for the safe assembly, operation, and maintenance of your new furniture. Please read all instructions carefully before beginning assembly and retain this manual for future reference.



Image: The FAMAPY 4-Door Wardrobe Closet in a bedroom setting, showcasing its white finish and integrated mirror.

SAFETY INFORMATION

Adherence to these safety guidelines is crucial for preventing injury and damage to the product.

- Always follow assembly instructions carefully, step by step.
- Do not use water to clean the product. Use a dry or slightly damp cloth.
- Ensure all hardware is securely tightened before use. Periodically check and re-tighten as necessary.
- This item is heavy and requires two people for safe assembly and movement.
- Do not allow children to climb on or play with the wardrobe.
- Place the wardrobe on a level surface to prevent tipping.

PACKAGE CONTENTS

The FAMAPY 4-Door Wardrobe Closet is shipped in two separate packages due to its size and weight. These packages may arrive at different times. Please ensure all packages have arrived and all components are present before beginning assembly.

Each piece is labeled, and all necessary hardware is included. Refer to the parts list in your separate assembly guide for a complete inventory.

SETUP AND ASSEMBLY

Assembly of this wardrobe requires two individuals. Please proceed gently and carefully to avoid damage during installation.

Pre-Assembly Checklist

1. Unpack all components and verify against the parts list provided in the separate assembly guide.
2. Ensure you have sufficient space for assembly.
3. Gather necessary tools (e.g., screwdriver, hammer - typically not included).
4. Review the entire assembly instruction manual before starting.

Assembly Steps

Follow the detailed, step-by-step instructions provided in the separate assembly guide included with your product. Pay close attention to diagrams and part labels.

- **Panel Orientation:** Carefully observe the orientation of panels, especially when attaching larger sections, to prevent incorrect assembly.
- **Hardware:** Use the correct hardware for each step as indicated in the instructions. Do not overtighten screws.
- **Back Panel:** Installing the back panel may require careful alignment. Ensure it is flush before securing.
- **Door Adjustment:** After assembly, adjust door hinges to ensure proper alignment and smooth opening/closing.

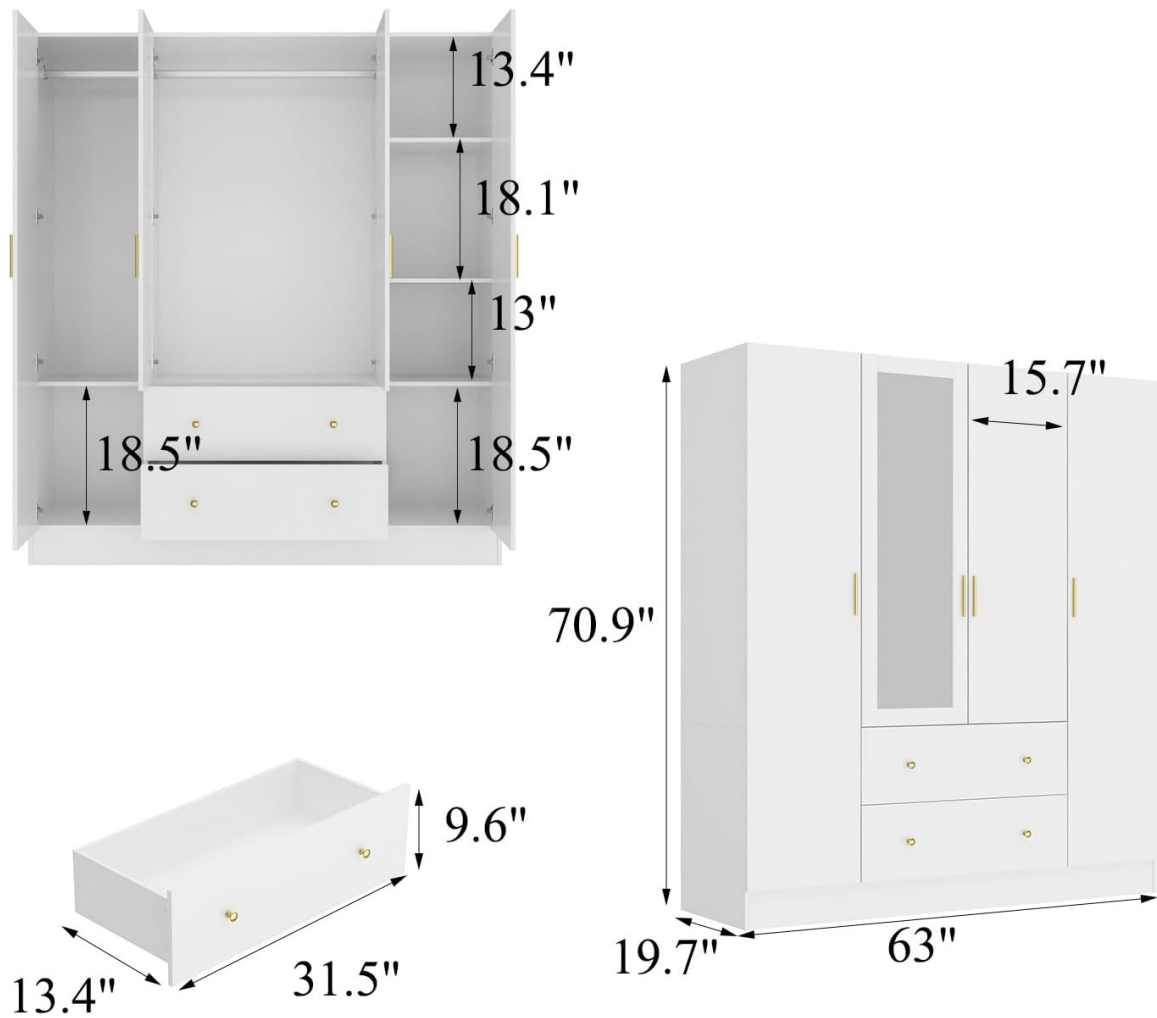


Image: Diagram illustrating the overall dimensions and internal compartment measurements of the wardrobe.

OPERATING INSTRUCTIONS

The FAMAPY 4-Door Wardrobe Closet is designed for versatile storage of clothing and personal items.

Storage Compartments

- **Hanging Rod:** The left and middle sections feature a hanging rod suitable for coats, suits, dresses, and shirts.
- **Shelves:** The right section contains four spacious shelves for folded clothing, bedding, or storage bins.
- **Drawers:** Two bottom drawers provide enclosed storage for smaller items such as underwear, socks, or accessories.
- **Mirror:** The integrated mirror on the middle door provides convenience for dressing.



Image: The wardrobe with its doors open, displaying the hanging rod with various garments and the shelved section with folded items and storage boxes.



Image: A close-up view of the hanging rod section, showing clothes neatly hung.



Image: A detailed view of the shelved compartment, illustrating its capacity for folded items and accessories.



Image: A close-up of the two pull-out drawers, showing their storage potential for smaller items.

MAINTENANCE

Proper care will extend the life and appearance of your wardrobe.

- **Cleaning:** The smooth veneer surface is easy to clean. Wipe with a dry cloth or a cloth slightly dampened with a mild, non-abrasive cleaner. Do not use water directly on the product.
- **Spills:** Immediately wipe any spills to prevent staining or damage to the finish.
- **Hardware:** Periodically check all screws and fasteners to ensure they remain tight. Re-tighten as needed.
- **Mirror Care:** Clean the mirror with a standard glass cleaner and a soft, lint-free cloth.

TROUBLESHOOTING

This section addresses common issues you might encounter.

- **Doors Not Aligning:** If doors do not close properly or appear misaligned, adjust the hinges. Most hinges allow for minor adjustments using a screwdriver to move the door up/down, left/right, or in/out. Refer to the hinge manufacturer's instructions if available.
- **Drawers Sticking:** Ensure drawer slides are properly installed and free of debris. Check that the drawer box is assembled squarely.
- **Wobbling:** If the wardrobe wobbles, ensure it is placed on a level surface. Check that all assembly hardware is securely tightened.
- **Missing Parts:** If you find any parts missing or damaged upon arrival, contact FAMAPY customer support immediately.

SPECIFICATIONS

Feature	Detail
Brand	FAMAPY
Model	4-Door Wardrobe Closet with Mirror
Color	White
Product Dimensions	19.7"D x 63"W x 70.9"H
Material	Engineered Wood
Special Feature	Durability, Integrated Mirror
Mounting Type	Floor Mount
Room Type	Bedroom
Number of Shelves	4
Number of Compartments	9
Assembly Required	Yes (2-person assembly recommended)

WARRANTY AND SUPPORT

For warranty information or customer support, please refer to the documentation included with your purchase or contact FAMAPY directly through their official website or customer service channels. Please have your purchase details and product model information ready when contacting support.

