



[Manuals.plus](#) /

- › [Harper & Bright Designs](#) /
- › Harper & Bright Designs Full Over Twin Metal Bunk Bed Instruction Manual

Harper & Bright Designs GX000623AAK-MZJ

Harper & Bright Designs Full Over Twin Metal Bunk Bed Instruction Manual

Model: GX000623AAK-MZJ

INTRODUCTION

This manual provides comprehensive instructions for the assembly, operation, maintenance, and troubleshooting of your Harper & Bright Designs Full Over Twin Metal Bunk Bed. Please read this manual thoroughly before assembly and use to ensure safe and proper operation. Keep this manual for future reference.



Image: The Harper & Bright Designs Full Over Twin Metal Bunk Bed, featuring a white metal frame, an upper full-size bed, a lower twin-size bed, integrated desk, and shelving unit, shown in a child's bedroom.

IMPORTANT SAFETY INFORMATION

Failure to follow these safety guidelines may result in serious injury or property damage. Always adhere to the weight capacities and assembly instructions.

- **Weight Capacity:** Do not exceed the weight capacity of **165 lbs** for the overall product. The upper bed has a weight capacity of **250 lbs**, and the lower bed has a weight capacity of **350 lbs**.
- **Assembly:** Be cautious of sharp metal edges during assembly. Always follow the provided assembly instructions carefully to prevent instability or collapse. Ensure all bolts and fasteners are securely tightened before use.
- **Mattress Thickness:** Recommended mattress thickness for the upper bed is **6 inches**. For the lower bed, the recommended mattress thickness is **6-8 inches**.
- **Guardrails:** The upper bunk is equipped with guardrails. Ensure they are properly installed and maintained to prevent falls.
- **Ladder Safety:** Always use the ladder for accessing the upper bunk. Do not jump on or off the bunk bed.

- **Ventilation:** Ensure adequate ventilation around the bed, especially if placed near walls or other furniture.
- **Children:** Children under 6 years of age should not be allowed on the upper bunk.

SETUP AND ASSEMBLY

Assembly of the Harper & Bright Designs Bunk Bed requires two adults. Please ensure all parts are present before beginning assembly. Refer to the separate assembly instruction sheet included in your packaging for detailed step-by-step diagrams and part lists.

Required Tools (Not Included):

- Phillips Head Screwdriver
- Allen Wrench (often included with hardware, but a personal set may be helpful)
- Rubber Mallet (optional, for gentle tapping)

General Assembly Steps:

1. **Unpack and Identify Parts:** Carefully unpack all components and lay them out on a clean, soft surface (e.g., carpet or blanket) to prevent scratches. Compare all parts against the provided parts list in the assembly instructions.
2. **Assemble Main Frame:** Begin by assembling the main support frames for both the upper and lower beds, connecting the side rails and end panels.
3. **Install Desk and Shelves:** Attach the built-in desk and shelving unit according to the diagrams, ensuring all connections are secure.
4. **Attach Ladder:** Securely fasten the ladder to the designated points on the bunk bed frame.
5. **Install Slats:** Place and secure the metal slats onto both the upper and lower bed frames. Ensure they are evenly spaced and firmly attached to provide proper mattress support.
6. **Final Tightening:** Once all components are assembled, go back and tighten all bolts and screws. Do not overtighten, but ensure all connections are firm and stable.
7. **Placement:** Position the assembled bunk bed on a level surface, away from windows, heating vents, and light fixtures.



Image: An assembled view of the bunk bed, highlighting the spacious desk area and the multi-tiered shelving unit, ready for use.

OPERATING INSTRUCTIONS

Your Harper & Bright Designs Bunk Bed is designed for versatile use, providing sleeping space, a study area, and storage.

- **Sleeping Areas:** The upper bunk accommodates a full-size mattress, and the lower bunk accommodates a twin-size mattress. Ensure mattresses fit snugly within the frame to prevent gaps.
- **Desk Usage:** The built-in desk provides a stable surface for studying, working, or other activities. Avoid placing excessively heavy items on the desk.
- **Storage Shelves:** Utilize the four built-in storage shelves for books, decor, or personal items. The upper bunk also features a small storage shelf. Distribute weight evenly across shelves.
- **Ladder Use:** Always use the ladder to access the upper bunk. Face the ladder when climbing up or down. Ensure hands and feet are clean and dry to prevent slipping.

MAINTENANCE AND CARE

Regular maintenance will extend the life and ensure the safety of your bunk bed.

- **Cleaning:** Wipe down the metal frame and shelves with a soft, damp cloth. Avoid abrasive cleaners or harsh chemicals that could damage the finish. Dry immediately with a clean cloth.
- **Fastener Check:** Periodically check all bolts, screws, and connections to ensure they remain tight. Retighten as necessary, but do not overtighten. This should be done every 3-6 months.
- **Slats Inspection:** Inspect the metal slats regularly for any signs of bending, damage, or detachment. Replace any damaged slats immediately.
- **Ladder Inspection:** Ensure the ladder rungs are secure and free from damage.
- **Avoid Excessive Weight:** Do not place items exceeding the specified weight capacities on the beds, desk, or shelves.
- **Relocation:** If moving the bed, disassemble it partially or fully to prevent damage to the frame and connections. Do not drag the assembled bed.

TROUBLESHOOTING

This section addresses common issues you might encounter with your bunk bed.

Problem	Possible Cause	Solution
Bed feels wobbly or unstable.	Loose fasteners (bolts/screws). Uneven floor surface.	Tighten all bolts and screws. Ensure the bed is on a level surface; use shims if necessary.
Squeaking noises.	Loose connections. Metal-on-metal friction.	Retighten all fasteners. Apply a small amount of silicone lubricant or wax to contact points if squeaking persists.
Mattress slides on slats.	Lack of friction.	Place a non-slip mat or rug gripper between the mattress and the slats.
Missing parts during assembly.	Packaging error.	Double-check all packaging materials. Contact Harper & Bright Designs customer support with your model number and part description.

SPECIFICATIONS

Detailed specifications for the Harper & Bright Designs Full Over Twin Metal Bunk Bed.

Feature	Detail
Product Type	Full Over Twin Metal Bunk Bed
Overall Product Dimensions	99.05"L x 56.37"W x 70"H
Upper Bed Dimension (with shelf)	96.3" x 54"
Lower Bed Dimension	75.2" x 39"
Total Height	70"
Overall Product Weight	165 lbs

Feature	Detail
Upper Bed Weight Capability	250 lbs
Lower Bed Weight Capability	350 lbs
Number of Upper/Down Bed Slats	20 pcs
Recommended Upper Bed Mattress Thickness	6"
Recommended Lower Bed Mattress Thickness	6-8"
Material	Metal
Color	White
Assembly Required	Yes
Model Number	GX000623AAK-MZJ
UPC	196986176713

UNIT INCH

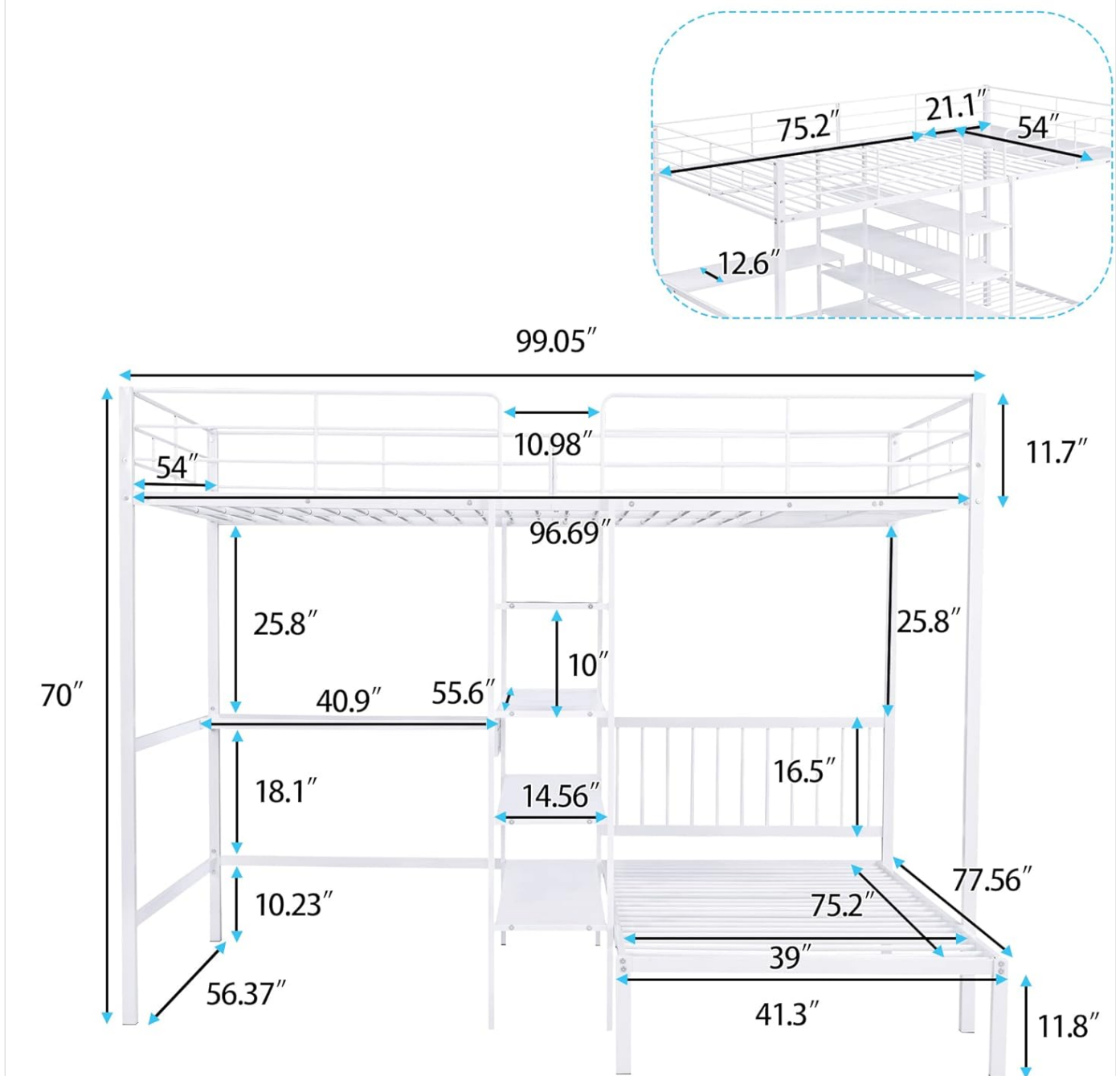


Image: Technical drawing illustrating all key dimensions of the bunk bed, including length, width, height, and internal measurements for the desk and shelves.

WARRANTY AND SUPPORT

For specific warranty information and customer support, please refer to the documentation included with your purchase or visit the official Harper & Bright Designs website. Keep your proof of purchase for any warranty claims.

Manufacturer: Harper & Bright Designs

Brand Store: [Harper & Bright Designs Store on Amazon](#)

