

FusyTuly K9IDtuya-Bolt Lock Kit

FusyTuly K9IDtuya-Bolt Lock Kit: WiFi Touch Access Controller Instruction Manual

Model: K9IDtuya-Bolt Lock Kit

1. INTRODUCTION

This manual provides comprehensive instructions for the installation, operation, and maintenance of the FusyTuly K9IDtuya-Bolt Lock Kit. This system integrates a Tuya WiFi touch access controller, an RFID keyboard, an IP68 waterproof design, an electric bolt lock, a power supply, and 15 125khz remote keys to provide a secure and convenient access control solution.

The system supports multiple access methods including the Tuya mobile application, RFID cards, and passwords. Its IP68 rating ensures suitability for outdoor installation.



Image 1.1: Overview of the FussyTuly K9IDtuya-Bolt Lock Kit components, including the access controller, exit button, electric bolt lock, power supply, and RFID key fobs.

2. PACKAGE CONTENTS

Verify that all components listed below are included in your package:

- Access Control Keyboard (Tuya WiFi Touch Access Controller)
- Door Exit Knob (Exit Button)
- Electric Bolt Lock
- Power Controller (Power Supply)
- RFID Key Rings (15 pieces, 125khz)

3. TECHNICAL SPECIFICATIONS

Access Control Keyboard

- **User Capacity:** 2000
- **Operating Voltage:** DC 12V
- **Material:** ABS plastic
- **App Name:** Tuya

- **Unlocked Record View:** Supported
- **Panel Type:** Touch screen
- **Operating Frequency:** 125khz
- **Identification Methods:** Tuya APP, RFID card, password, RFID card + password
- **Backlight:** Blue backlight
- **Waterproof Rating:** IP68 (suitable for outdoor installation)
- **Doorbell Button:** Supports wired doorbell connection
- **Wiegand Signal:** WG26/WG34 input/output
- **Management Card:** Supported
- **Door Opening Time:** 0 - 99 seconds adjustable
- **Product Size:** 114 x 71 x 16 mm

Power Supply

- **Material:** Steel
- **AC Input:** Standard AC100V - 260V / 50 - 60Hz
- **DC Output:** DC12V/3A
- **Delay Time:** 0 - 15 seconds adjustable
- **Size:** 140 x 67 x 33 mm

Electric Bolt Lock

- **Material:** Aluminium alloy
- **Operating Voltage:** DC12V
- **Size:** 150 x 34 x 28 mm
- **Safety Mode:** NC type (Normally Closed - doors locked when powered on, doors open when power off)
- **Compatibility:** Suitable for wooden doors, metal doors
- **Operating Current:** Start: 1.2A, Run: 0.25A
- **Time Lapse:** Adjustable on the electric lock for 0, 3, 6 seconds

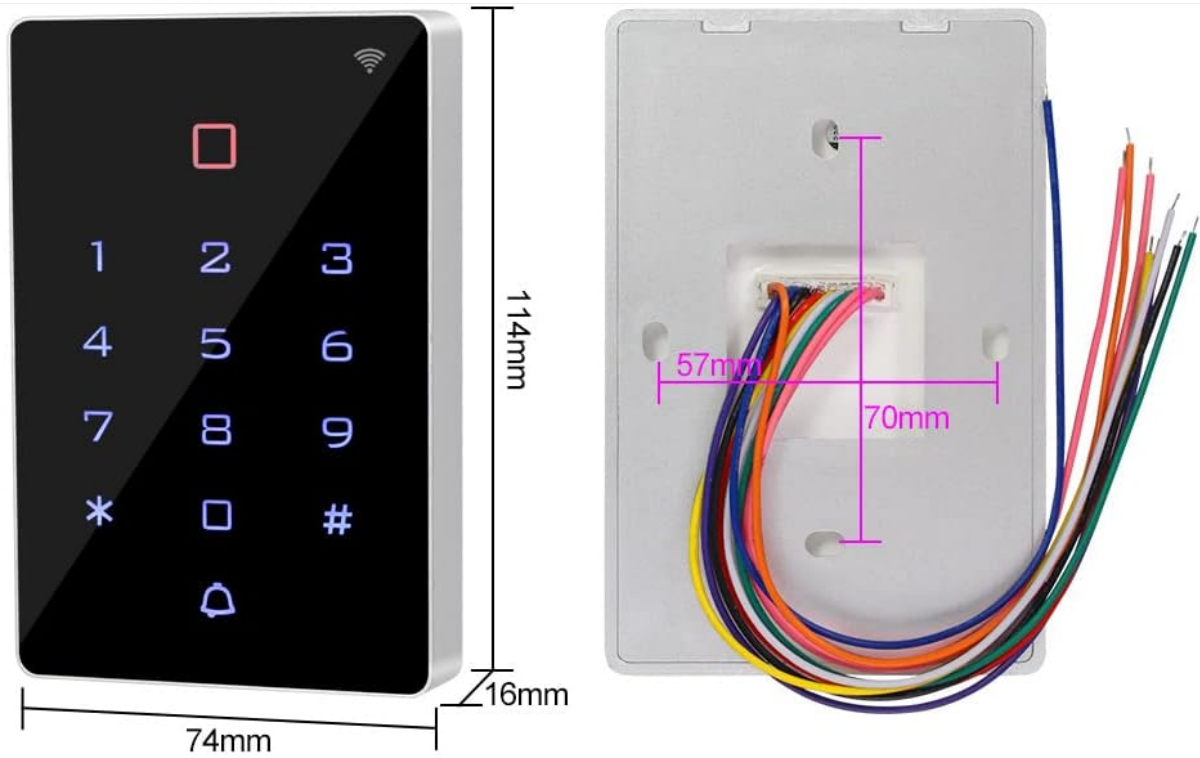
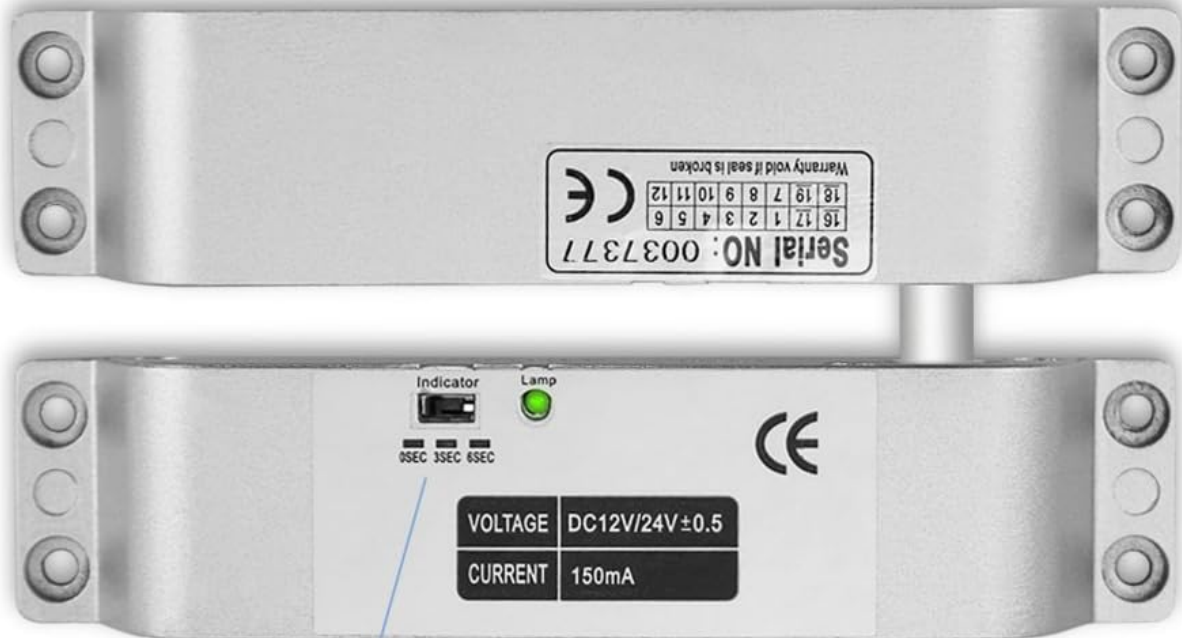


Image 3.1: Detailed dimensions of the access control keyboard and a visual representation of its features, including app support, RFID, password, Wiegand interface, IP68 waterproof rating, and doorbell function.



With 0 / 3 / 6 seconds time delay adjustable

Image 3.2: The electric bolt lock showing the time delay adjustment switch (0, 3, 6 seconds) and power specifications (DC12V/24V).



Image 3.3: The power supply control unit, detailing input voltage (AC110-260V), output voltage (DC12V 3A), and adjustable locking delay (0-15 seconds).

4. INSTALLATION AND SETUP

4.1 Physical Installation

Mount the access control keyboard, electric bolt lock, power supply, and exit button in their desired locations. Ensure the access controller is installed at a convenient height for users. The electric bolt lock should be securely fitted into the door frame and door.

Wiring diagram:

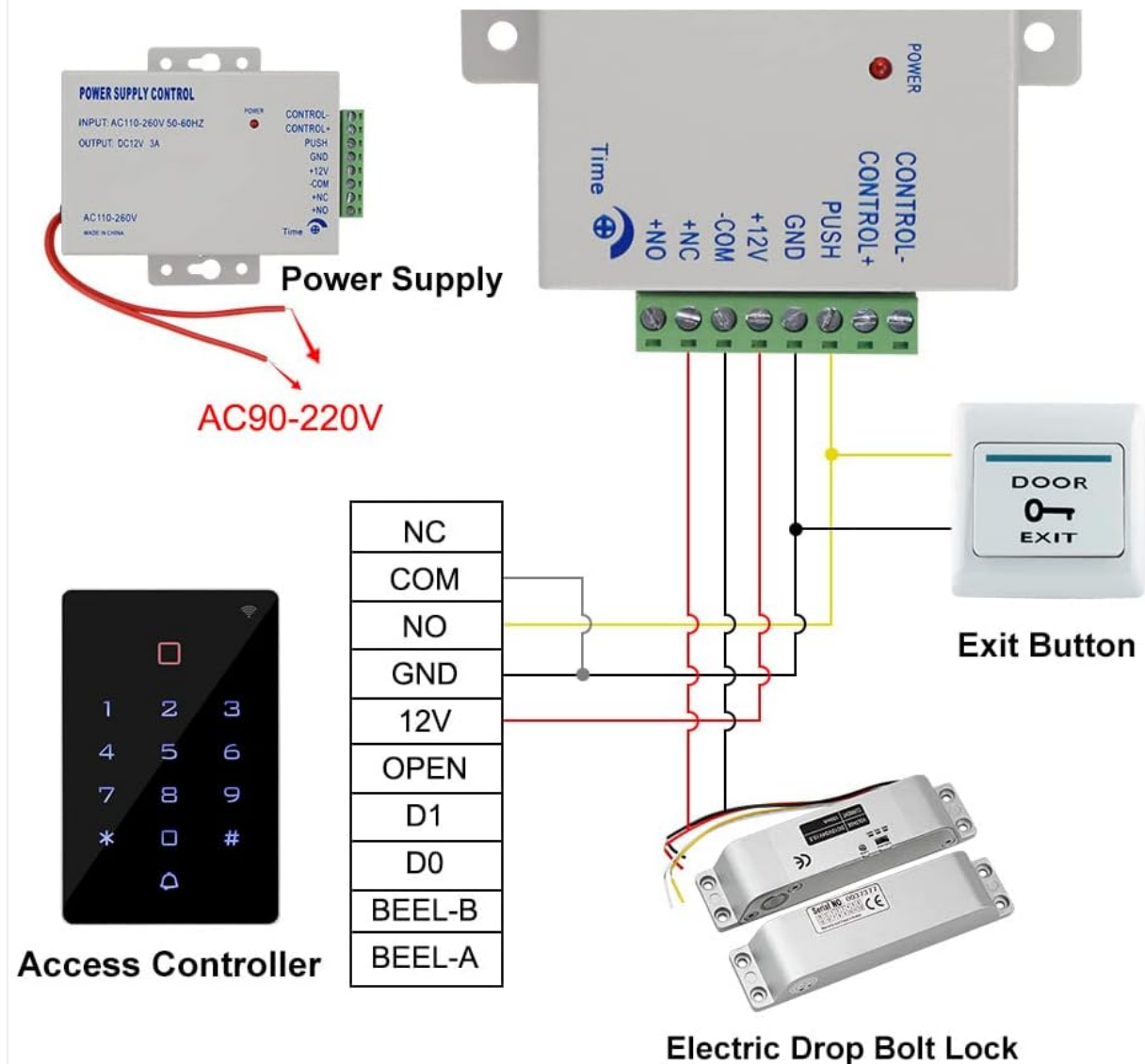


Image 4.1: Diagram illustrating the typical placement of the access controller, power supply, electric drop lock, exit button, and RFID key cards in a complete access control system.

4.2 Wiring Diagram

Carefully follow the wiring diagram below to connect all components. Incorrect wiring can damage the system or prevent proper operation. It is recommended to consult a qualified electrician for installation if you are unsure.

Temporary password unlock

Support Tuya APP temporary password, Wechat / Email / Message / Copy share unlock
No guests need to wait, no matter where you are.

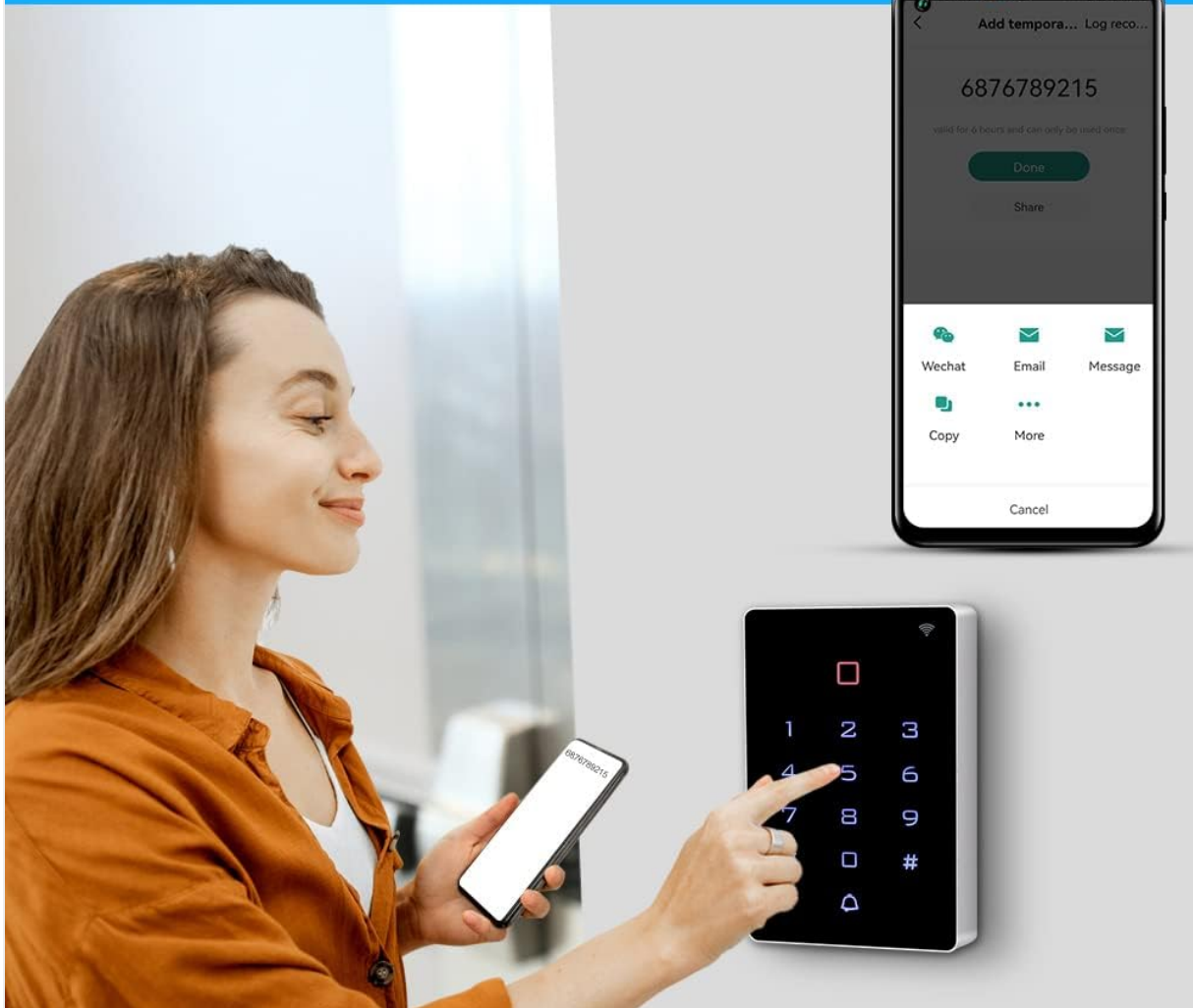


Image 4.2: Comprehensive wiring diagram showing connections between the power supply (AC90-220V input, DC12V output), access controller, electric drop bolt lock, and exit button. Pay close attention to NC, COM, NO, GND, +12V, PUSH, and OPEN terminals.

Key Wiring Connections:

- Connect the AC input of the power supply to your main AC power source (AC90-220V).
- Connect the DC12V output from the power supply to the access controller and the electric lock.
- Connect the exit button to the PUSH and GND terminals on the power supply control.
- Ensure the electric lock is connected to the appropriate NC (Normally Closed) or NO (Normally Open) terminals on the power supply, depending on your lock type and desired operation. For the included electric bolt lock (NC type), connect to NC and COM.
- Connect the access controller's output to the power supply's control input.

4.3 Tuya App Download and Initial Setup

The Tuya app is essential for managing your access control system.

1. **Download the App:** Scan the QR code provided in Image 4.3 or visit <http://smart.tuya.com/download> to download the "TuyaSmart" app.
2. **Register/Login:** Open the app and register a new account or log in with an existing one.
3. **Add Device:** Follow the in-app instructions to add your access control keyboard. Ensure your phone

is connected to a 2.4GHz Wi-Fi network during the pairing process.

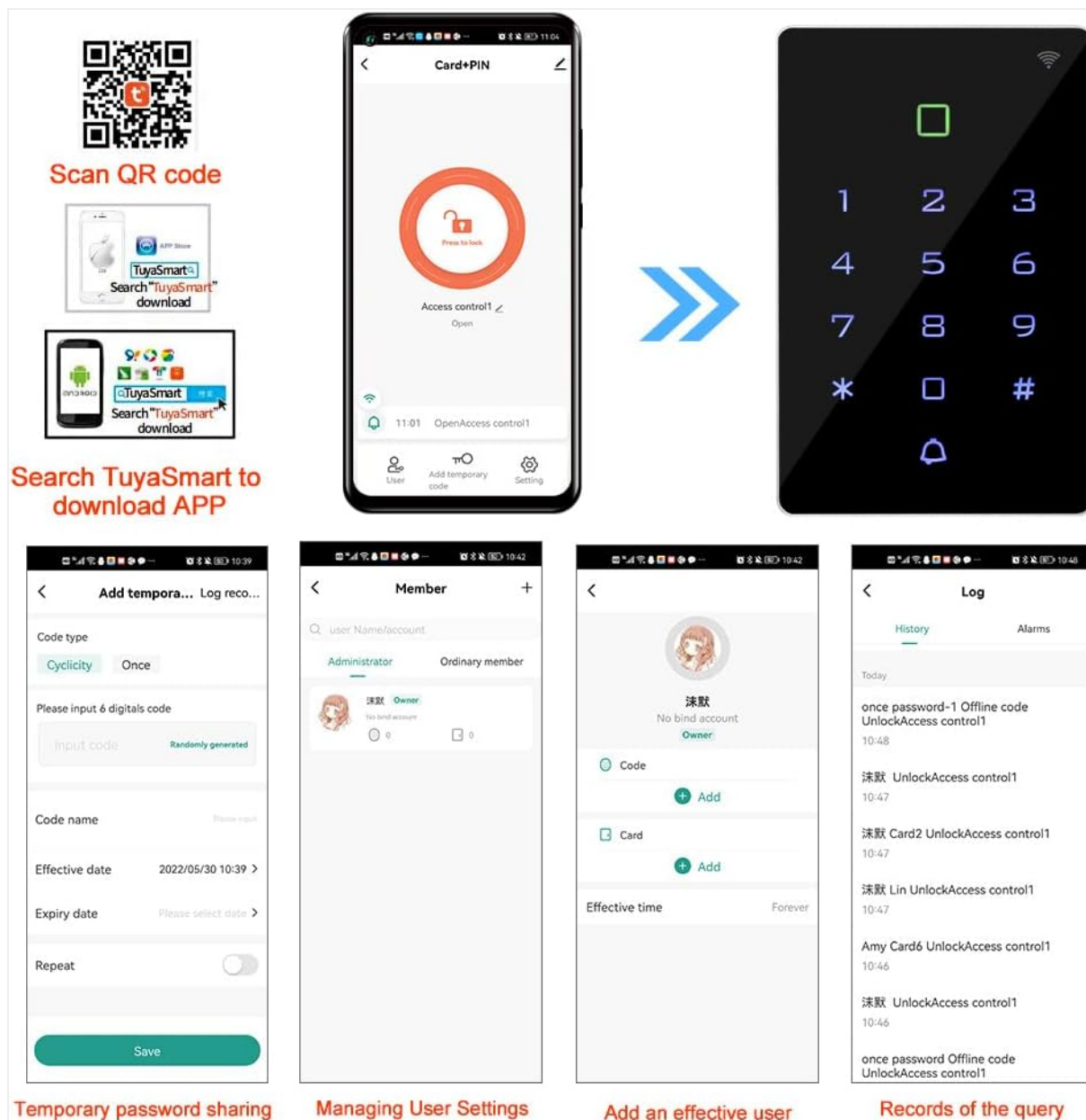


Image 4.3: Instructions for downloading the TuyaSmart app via QR code or direct link, and screenshots demonstrating temporary password sharing, user management, and access record viewing within the app.

5. OPERATION

5.1 Unlocking Methods

The system supports multiple ways to unlock the door:

- **Tuya App:** Use the unlock button within the Tuya app on your smartphone.
- **RFID Card:** Present a registered 125khz RFID card to the access controller.
- **Password:** Enter a registered password on the touch keypad.
- **RFID Card + Password:** For enhanced security, combine an RFID card scan with a password entry.

Support Tuya APP, RFID card, password to open the door

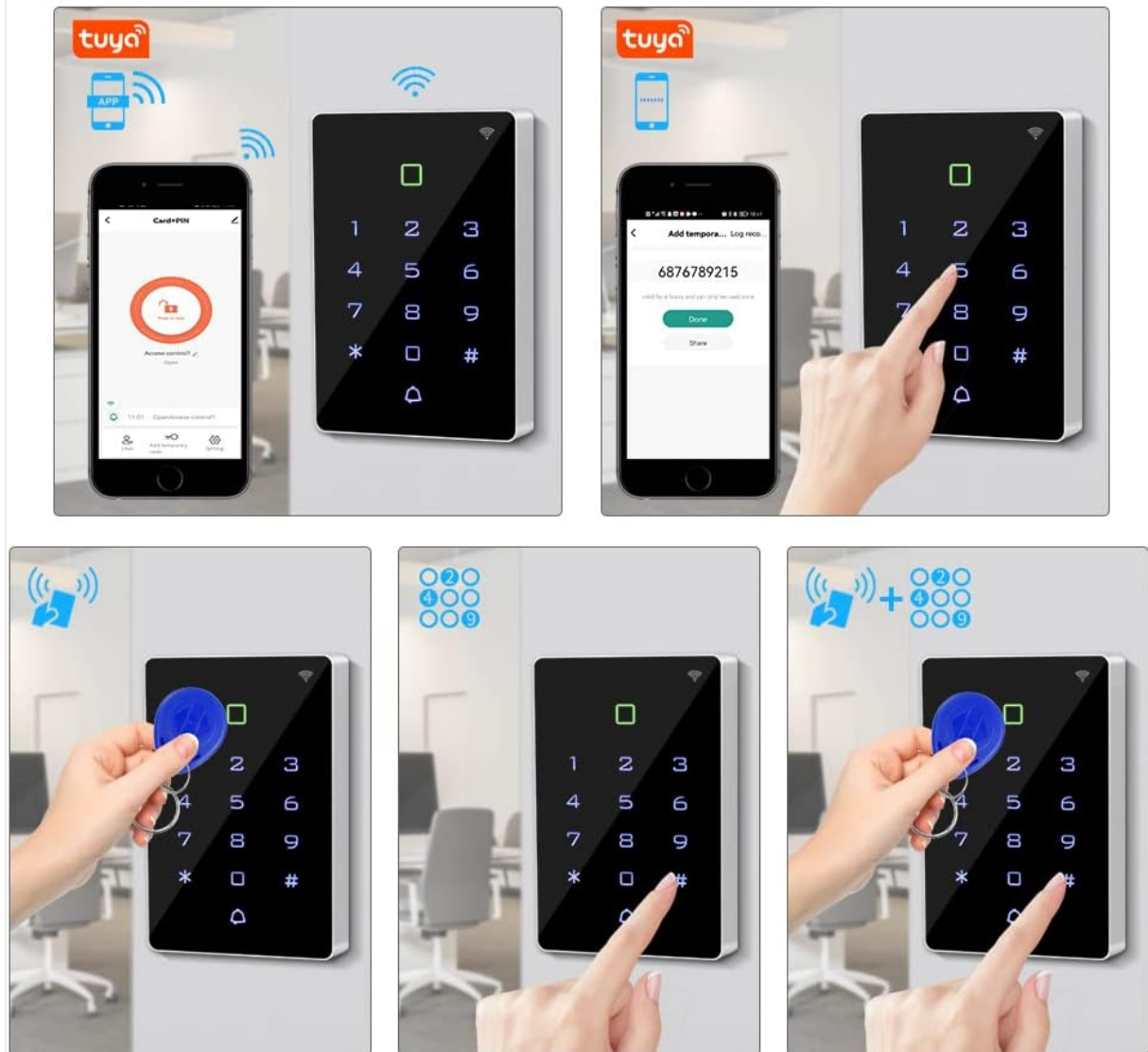


Image 5.1: Visual guide demonstrating the three primary methods of unlocking the door: via the Tuya app, by entering a password on the keypad, and by scanning an RFID card.

5.2 User Management via Tuya App

The Tuya app allows for convenient management of users and access credentials.

- **Adding Users:** You can add new RFID cards or passwords directly through the app.
- **Temporary Passwords:** Generate one-time or time-limited passwords for guests. These can be shared via WeChat, email, or SMS. A one-time password expires after a single use within 6 hours.
- **Recurring Passwords:** Set passwords that are valid for a specific duration.
- **Viewing Unlock Records:** The app maintains a log of all unlock events, allowing you to review access history.



Input Voltage

Output Voltage

Locking Delay

NC/NO Mode

Home/office

Image 5.2: Screenshot demonstrating the temporary password sharing feature within the Tuya app, allowing users to share access codes via various communication platforms.

5.3 Adjusting Door Opening Time

The door opening time (how long the lock remains disengaged) can be adjusted on the access controller from 0 to 99 seconds. The power supply also has an adjustable delay time of 0-15 seconds.

6. MAINTENANCE

- **Cleaning:** Wipe the access controller's touch panel with a soft, damp cloth. Avoid abrasive cleaners or solvents.
- **Firmware Updates:** Periodically check the Tuya app for any available firmware updates for the access controller to ensure optimal performance and security.
- **Power Supply:** Ensure the power supply unit is kept in a dry, well-ventilated area.
- **Lock Mechanism:** Inspect the electric bolt lock periodically for any obstructions or signs of wear.

7. TROUBLESHOOTING

| Problem | Possible Cause | Solution |
|---|--|--|
| System does not power on. | No power to the power supply; faulty wiring; power supply failure. | Check AC input to the power supply. Verify all wiring connections according to the diagram. Test the power supply output. |
| Door does not unlock with valid credentials. | Incorrect wiring to the lock; lock mechanism obstruction; power supply issue; incorrect programming. | Review wiring diagram, especially NC/NO connections. Check for physical obstructions. Ensure power supply is providing stable 12V. Re-program RFID cards or passwords. |
| Tuya App cannot connect to the access controller. | Incorrect Wi-Fi network (not 2.4GHz); poor Wi-Fi signal; controller not in pairing mode; app issues. | Ensure your phone is on a 2.4GHz Wi-Fi network. Improve Wi-Fi signal strength near the controller. Reset the controller to pairing mode. Restart the Tuya app or reinstall it. |
| Electric lock does not engage/disengage properly. | Incorrect time delay setting; mechanical issue with the lock; insufficient power. | Adjust the time delay on the electric lock (0, 3, 6 seconds) or the power supply (0-15 seconds). Inspect the lock for damage. Verify stable 12V power to the lock. |
| RFID cards are not recognized. | Cards not properly registered; incorrect card frequency (not 125khz); faulty reader. | Ensure RFID cards are correctly added via the Tuya app or directly on the controller. Verify cards are 125khz. Contact support if the reader appears faulty. |

8. WARRANTY AND SUPPORT

For warranty information and technical support, please refer to the documentation provided at the time of purchase or contact your retailer. Keep your purchase receipt as proof of purchase.