

LALAHOO MC-WQ-2 DOORS

LALAHOO 24"x25" Lighted Medicine Cabinet Instruction Manual

Model: MC-WQ-2 DOORS

1. PRODUCT OVERVIEW

This LALAHOO medicine cabinet features a mirror with integrated LED lighting, anti-fog functionality, dimmable lights, and a memory function. Designed for wall mounting, it provides convenient storage for bathroom essentials.

- **Lighted Mirror with Demisting Function:** Activate the defogging function with a dedicated button to quickly clear mist from the mirror surface.
- **Dimmable LED Lights:** Adjust the brightness of the LED lights by long-pressing the dimming button. Note that the integrated LED lights are intended for ambient lighting and not as a primary light source for detailed tasks like makeup application. Additional bathroom lighting may be required.
- **Space-Saving Design:** The wall-mounted design (24.4"x23.6"x5.5") is suitable for various bathroom sizes, including smaller apartments and RVs.
- **Storage:** Two fixed shelves divide the cabinet into three storage compartments.

2. SAFETY INFORMATION

Please read all instructions carefully before assembly and installation. Retain this manual for future reference.

- Ensure all electrical connections are performed by a qualified electrician if you are unsure.
- Disconnect power at the circuit breaker before installation or maintenance.
- Do not expose the product to excessive moisture or direct water spray.
- Handle glass components with care to prevent breakage and injury.
- Verify that the mounting surface is structurally sound and can support the weight of the cabinet and its contents.

- Keep small parts and packaging materials away from children.

3. PACKAGE CONTENTS

Verify that all components are present before beginning assembly.

- Wooden Boards (Numbered 1-6, 9)
- Mirrored Doors (Numbered 7, 8)
- Hinges (A)
- Screws (B, C, D, K)
- Wire Management Components (E, F, H)
- Mounting Brackets (G)
- Small Plugs (M)
- Wall Anchors (J)

4. ASSEMBLY INSTRUCTIONS

Follow these steps to assemble your medicine cabinet. An assembly video is provided for visual guidance.

Your browser does not support the video tag.

Video: How to assemble the LALAHOO 2 Doors Lighted Medicine Cabinet. This video demonstrates the step-by-step assembly process for the cabinet structure and door installation.

1. **Prepare Components:** Lay out all wooden boards and hardware. Identify boards No.1 and No.2.
2. **Install Fasteners (B):** Install fasteners (B) onto wooden boards No.1 and No.2 using a screwdriver. Ensure they are securely tightened.
3. **Assemble Cabinet Frame:** Combine wooden boards No.3, No.9, No.9, No.4, and No.1 in the sequence shown in the assembly video to form the main cabinet structure.
4. **Secure Cabinet Frame:** Combine board No.2 with the assembled cabinet structure. Install screws (C) into the designated holes to secure the frame.
5. **Install Back Panels:** Place the cabinet face down. Install small plugs (M) into the holes on the back of the cabinet. There are 6 small holes for these plugs. Use a hammer to gently tap them into place.
6. **Attach Hinges to Doors:** Install hinges (A) onto the mirrored doors No.7 and No.8. Use a screwdriver to secure the hinges firmly.
7. **Attach Doors to Cabinet:** Carefully attach the mirrored doors (No.7 and No.8) onto the cabinet frame using the installed hinges.
8. **Adjust Hinges:** Adjust the hinges to ensure proper alignment of the doors. Use a screwdriver to adjust the front/rear and left/right positions as needed for a flush and even closure.
9. **Route Wires:** Install the wires from the mirrored doors into the cabinet through the designated holes (E). Use the provided wire management components (F, H) to secure the wires neatly along the back of the cabinet. Connect the wires as shown in the video, ensuring a secure connection.
10. **Install Mounting Brackets:** Install mounting brackets (G) into the cabinet using screws. These brackets will be used to hang the cabinet on the wall.



Image: Detailed assembly diagram illustrating the connection points for various components.

5. INSTALLATION

After assembly, the cabinet is ready for wall mounting and electrical connection.

1. **Mark Mounting Points:** Hold the assembled cabinet against the wall at the desired height and location. Mark the positions for the mounting brackets (G) on the wall.
2. **Drill Holes:** Drill appropriate holes in the wall at the marked locations. Insert wall anchors (J) if necessary, depending on your wall type.
3. **Mount Cabinet:** Securely attach the cabinet to the wall using screws through the mounting brackets (G). Ensure the cabinet is level and stable.
4. **Electrical Connection:** Connect the power cord from the cabinet to a suitable electrical outlet. Ensure the connection is secure and follows local electrical codes.

6. OPERATING INSTRUCTIONS

Familiarize yourself with the cabinet's functions for optimal use.

LED Lights and Dimming

The mirror features integrated LED lights with adjustable brightness.

- **Turn On/Off:** Press the power button on the mirror surface to turn the LED lights on or off.
- **Adjust Brightness:** Long-press the dimming button on the mirror surface to cycle through brightness levels (10% to 100%). Release the button when the desired brightness is reached.
- **Memory Function:** The cabinet will remember your last brightness setting when turned off and on again.

ONE TOUCH DIMMING

Brighter and Clear Long Press the Button to
Change the Brightness

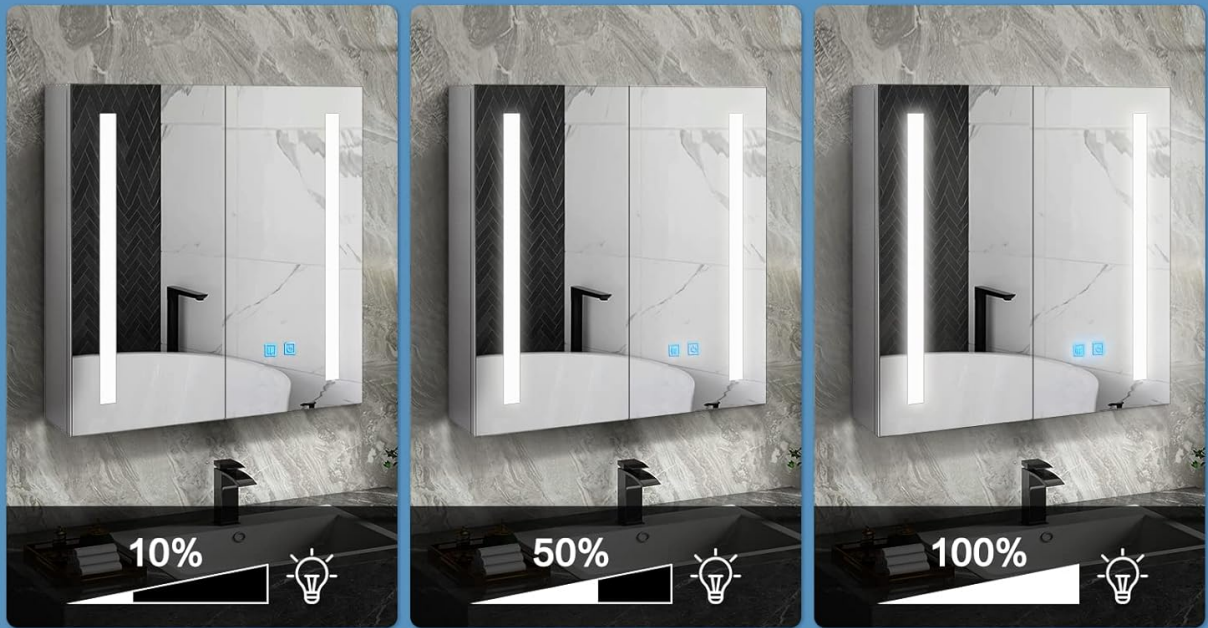


Image: Illustration of the one-touch dimming feature, showing the mirror's LED lights at 10%, 50%, and 100% brightness levels.

Anti-Fog Function

The anti-fog feature helps maintain a clear mirror surface in humid conditions.

- **Activate Anti-Fog:** Press the defogging button on the mirror surface to activate the anti-fog function.
- **Deactivate Anti-Fog:** Press the defogging button again to turn off the anti-fog function.
- For best results, activate the anti-fog function a few minutes before showering or bathing.

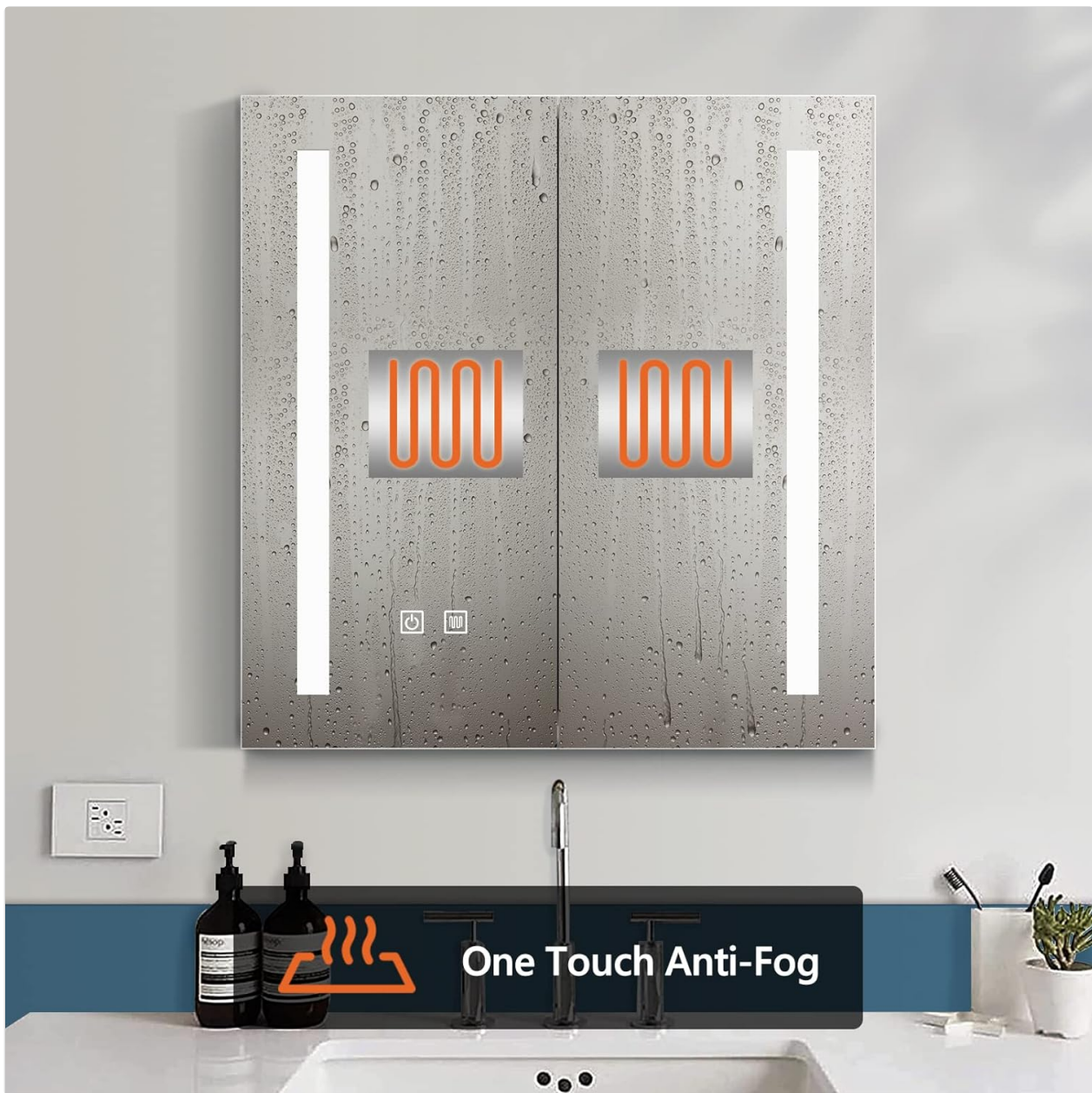


Image: The mirror surface with visible heating elements indicating the anti-fog function is active.

7. MAINTENANCE

Regular cleaning and care will prolong the life and appearance of your medicine cabinet.

- **Cleaning the Mirror:** Use a soft, lint-free cloth and a non-abrasive glass cleaner. Spray cleaner onto the cloth, not directly onto the mirror, to avoid liquid seeping into electrical components.
- **Cleaning the Cabinet:** Wipe the cabinet surfaces with a soft, damp cloth and mild soap if necessary. Dry immediately with a clean cloth.
- **Avoid Harsh Chemicals:** Do not use abrasive cleaners, ammonia-based products, or solvents, as these can damage the finish and mirror coating.
- **Inspect Connections:** Periodically check all screws and electrical connections to ensure they remain tight and secure.

8. TROUBLESHOOTING

If you encounter issues with your medicine cabinet, refer to the following common problems and solutions.

Problem	Possible Cause	Solution
LED lights do not turn on.	No power supply; loose connection; faulty LED driver.	Check power outlet and circuit breaker. Ensure all wires are securely connected. Contact customer service if the issue persists.
Anti-fog function not working.	Anti-fog function not activated; electrical issue.	Press the defogging button to activate. Check power supply.
Lights are too dim or too bright.	Brightness setting needs adjustment.	Long-press the dimming button to adjust brightness to your preference.
Cabinet doors are misaligned.	Hinges need adjustment.	Adjust the hinge screws to align the doors properly (refer to Assembly Instructions, Step 8).

If you experience any issues not listed here or if the suggested solutions do not resolve the problem, please contact LALAHOO customer service for assistance.

9. SPECIFICATIONS

Feature	Detail
Brand	LALAHOO
Model Name	medicine cabinet double doors
Item Model Number	MC-WQ-2 DOORS
Color	White
Product Dimensions	5.5"D x 23.6"W x 24.4"H
Size	24"X25"
Item Weight	26.5 pounds
Material	Engineered Wood, Glass, Metal, Plastic
Mounting Type	Wall Mount
Special Feature	Illuminated
Number of Shelves	2
Number of Compartments	3
Assembly Required	Yes

Product Size

Weight : 30.9lb/14kg

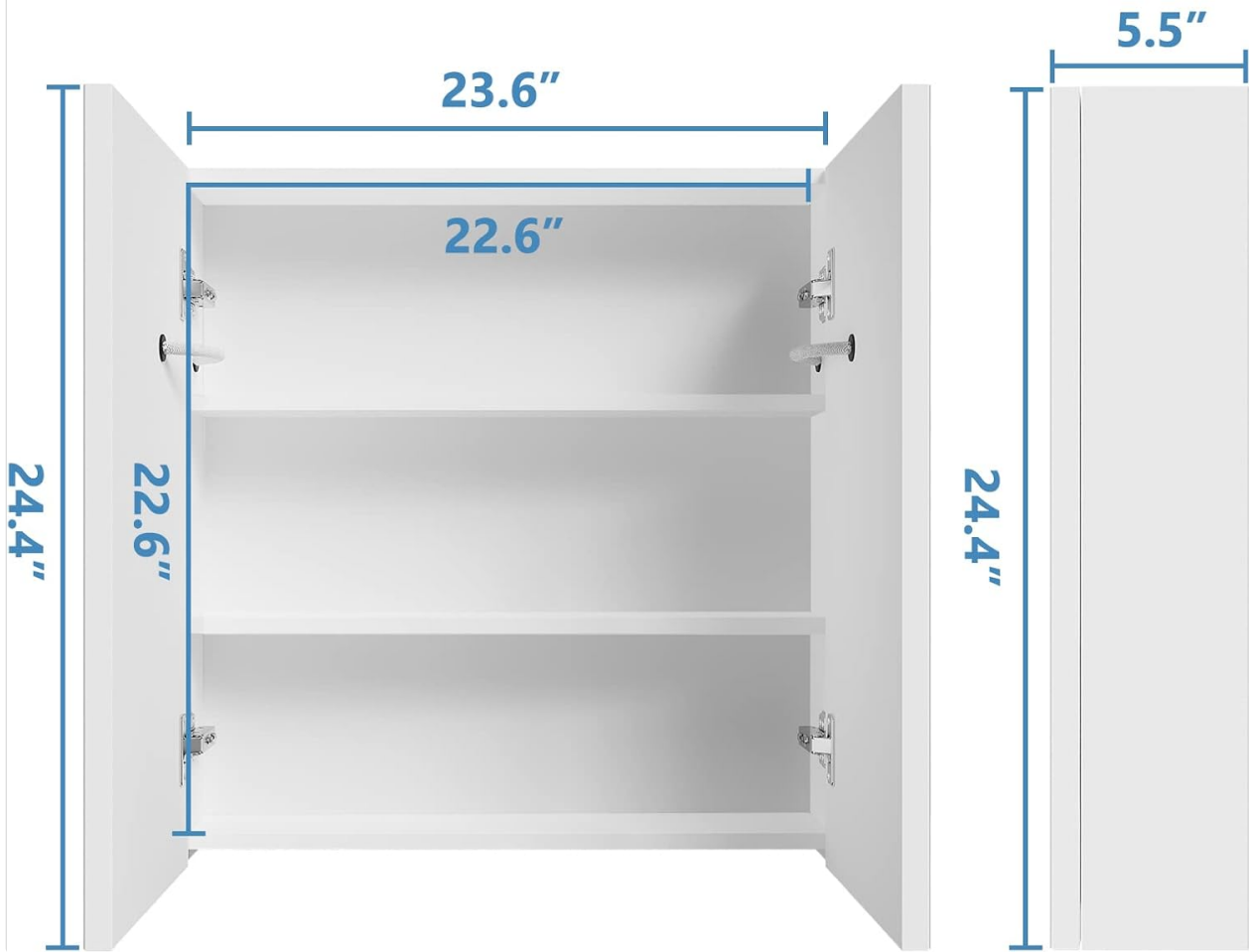


Image: Product dimensions including width, height, and depth of the cabinet.

10. WARRANTY AND SUPPORT

LALAHOO is committed to providing quality products and customer satisfaction.

- **Customer Service:** If you receive a damaged product or have any questions regarding assembly, installation, or operation, please contact LALAHOO customer service.
- **Contact Information:** Please refer to your purchase documentation or the LALAHOO official website for the most current customer service contact details. When contacting support, provide photos of any damaged parts and the packaging box if applicable.