

[Manuals.plus](#) /

> [A ABSOPRO](#) /

> A ABSOPRO Front Hood Release Base Handle Assembly for Hyundai Elantra 2012-2018 (OE 81180-2B000) Instruction Manual

A ABSOPRO 81180-2B000

A ABSOPRO Front Hood Release Base Handle Assembly Instruction Manual

Model: 81180-2B000 | Compatible with Hyundai Elantra 2012-2018

1. INTRODUCTION

This manual provides comprehensive instructions for the proper installation, operation, and maintenance of your A ABSOPRO Front Hood Release Base Handle Assembly. Please read this manual thoroughly before installation and use to ensure correct procedure and optimal performance. Retain this manual for future reference.

2. PRODUCT OVERVIEW

The A ABSOPRO Front Hood Release Base Handle Assembly is a direct replacement component designed to restore the functionality of your vehicle's hood release mechanism. It is constructed from durable plastic materials to ensure reliable and stable performance.



Image 2.1: The A ABSOPRO Front Hood Release Base Handle Assembly, showing the handle and its base component.

3. COMPATIBILITY

This hood release handle assembly is specifically designed as a replacement for OE Number 81180-2B000. It is suitable for the following vehicle models:

- **Hyundai Elantra:** 2012, 2013, 2014, 2015, 2016, 2017, 2018



Image 3.1: The hood release assembly shown with its OE number and a compatible Hyundai Elantra vehicle in the background.

4. PACKAGE CONTENTS

Upon opening the package, please verify that all components are present and undamaged:

- 2 x Front Hood Release Base Handle Assembly (OE 81180-2B000)

5. SAFETY INFORMATION

Always prioritize safety when working on your vehicle. Failure to follow safety precautions may result in injury or damage to the vehicle.

- Ensure the vehicle is parked on a level surface with the parking brake engaged.
- Turn off the engine and remove the key from the ignition.
- Wear appropriate personal protective equipment, such as gloves and eye protection.
- If you are unsure about any step of the installation process, consult a qualified automotive technician.

6. INSTALLATION INSTRUCTIONS

This section outlines the general steps for replacing the hood release handle assembly. The process typically involves removing the old, broken handle and installing the new one. While often designed for tool-free replacement, some trim panel removal may require basic hand tools.

6.1. Preparation

1. Ensure the vehicle is safely prepared as per Section 5.
2. Locate the existing hood release handle, typically found on the driver's side, near the lower dashboard or kick panel.

6.2. Removal of Old Handle

1. Carefully inspect how the existing handle is attached. It may be clipped into a trim panel or secured with small fasteners.
2. If necessary, gently pry off any surrounding trim panels to access the handle's mounting points. Use a plastic trim removal tool to avoid damage.
3. Disconnect the hood release cable from the old handle. This usually involves unhooking the cable end from the lever mechanism.
4. Remove the old handle assembly from its mounting location.

6.3. Installation of New Handle

1. Take one of the new A ABSOPRO hood release handle assemblies.
2. Connect the hood release cable to the new handle's lever mechanism. Ensure it is securely seated.
3. Align the new handle assembly with the mounting points in the vehicle.
4. Press or fasten the new handle into place until it is secure. Ensure it sits flush with the surrounding trim.
5. Reinstall any trim panels that were removed.

Front



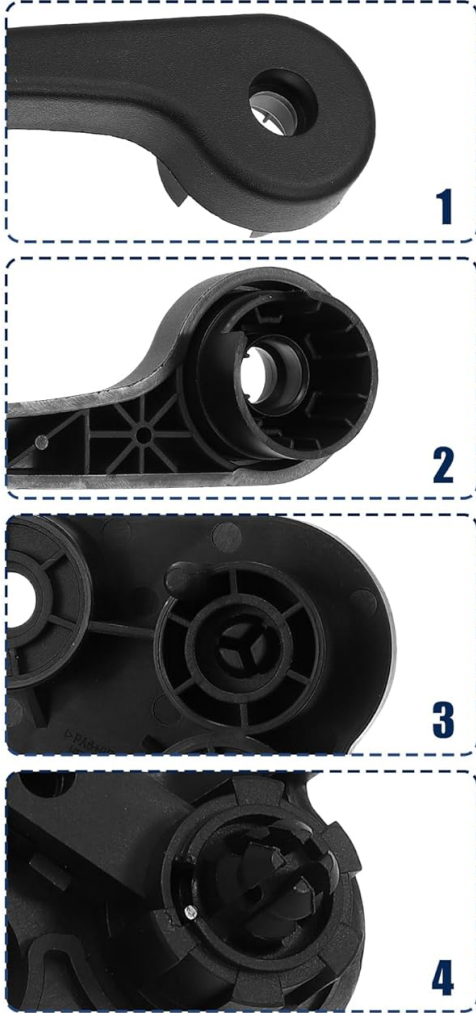
Back



— PRODUCT DETAIL —

Image 6.1: Front and back views of the hood release handle assembly, illustrating its design for proper orientation during installation.

OE : 8T1823633A,
8T1823633B,
8T1-823-633-B.



— PRODUCT DETAIL —

Image 6.2: A detailed view showing the individual components of the hood release handle assembly, highlighting key connection points.



— PRODUCT DETAIL —

Image 6.3: The fully assembled hood release handle, demonstrating its final form after installation.

6.4. Testing

1. After installation, gently pull the hood release handle to ensure the hood latch disengages smoothly.
2. Close the hood and verify that it latches securely.
3. Repeat the opening and closing process a few times to confirm proper function.

7. OPERATION

To open the vehicle's hood, locate the hood release handle on the driver's side of the vehicle, typically below the dashboard. Pull the handle firmly towards you. You should hear the primary hood latch disengage. Proceed to the front of the vehicle and locate the secondary safety latch, usually under the front edge of the hood, and release it to fully open the hood.

8. MAINTENANCE

The A ABSOPRO Hood Release Base Handle Assembly is designed for durability and requires minimal maintenance. Periodically inspect the handle and cable for any signs of wear, damage, or corrosion. Ensure the cable moves freely and is not obstructed. If the hood release mechanism feels stiff, a small amount of lubricant applied to the cable and latch mechanism may improve operation. Avoid using harsh chemicals for cleaning; a damp cloth is sufficient.

9. TROUBLESHOOTING

9.1. Hood Does Not Open When Handle is Pulled

- **Check Cable Connection:** Ensure the hood release cable is securely attached to both the handle assembly and the hood latch mechanism.
- **Inspect Cable:** Look for any kinks, fraying, or breaks in the cable. A damaged cable will need replacement.
- **Lubrication:** The hood latch mechanism might be seized or stiff. Apply a penetrating lubricant to the latch components under the hood.

9.2. Hood Does Not Latch Securely

- **Obstructions:** Check for any debris or objects preventing the hood from closing fully.
- **Latch Alignment:** Ensure the hood latch and striker are properly aligned. Adjustments may be necessary.
- **Damaged Latch:** If the latch mechanism itself is damaged, it may need to be replaced.

10. SPECIFICATIONS

Feature	Detail
Manufacturer	A ABSOPRO
Brand	A ABSOPRO
OE Part Number	81180-2B000
Manufacturer Part Number	fopro2304181054
Item Weight	3.2 ounces
Package Dimensions	5.12 x 3.15 x 1.97 inches
Position	Outside (referring to the handle's function for an external component)
Special Features	Durable, Easy to Install



— PRODUCT SIZE —

Image 10.1: Product dimensions for the hood release handle and its base, showing measurements in centimeters and inches.

11. WARRANTY AND SUPPORT

A ABSOPRO products are designed for quality and reliability. For specific warranty information or technical support, please refer to the product packaging or contact A ABSOPRO customer service directly. Please note that a 30-day refund/replacement policy is typically offered for this product.