

[Manuals.plus](#) /

› [BXLIYER](#) /

› BXLIYER SXAUTO 8G+256G Android 12 Car Stereo User Manual for Benz Smart fortwo 451 (2005-2010)

BXLIYER SXAUTO 8G+256G Android 12

BXLIYER SXAUTO 8G+256G Android 12 Car Stereo User Manual

Model: SXAUTO 8G+256G Android 12 | **Brand:** BXLIYER
For Benz Smart fortwo 451 (2005-2010)

1. INTRODUCTION

This user manual provides comprehensive instructions for the installation, operation, and maintenance of your BXLIYER SXAUTO Android 12 Car Stereo system. Please read this manual thoroughly before installation and use to ensure proper functionality and to prevent damage. Keep this manual for future reference.

2. SAFETY INFORMATION

- **Professional Installation Recommended:** Due to the complexity of car electrical systems, professional installation is highly recommended.
- **Power Supply:** Ensure the unit is connected to a 12V DC power supply with negative grounding.
- **Wiring:** Do not modify or cut the wiring harness. Incorrect wiring can cause damage to the unit or vehicle.
- **Driving Safety:** Do not operate the unit in a way that distracts you from driving. Always prioritize road safety.
- **Temperature:** Avoid exposing the unit to extreme temperatures or direct sunlight for prolonged periods.

3. PACKAGE CONTENTS

Please verify that all items listed below are included in your package:

- Car Stereo Unit
- Accessories (various cables and connectors)
- User Manual
- Frame Kit
- Power Cable
- GPS Antenna

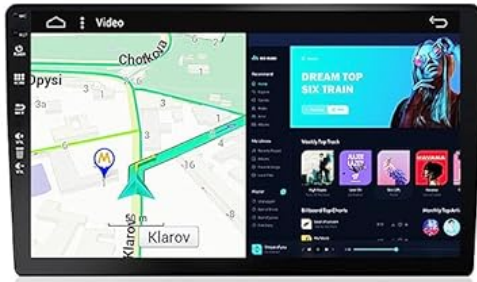
- USB Cables
- Install Brackets
- Rear Camera (LED)
- External Microphone

4. SETUP AND INSTALLATION

4.1. Wiring Diagram

Refer to the following diagram for correct wiring connections. Ensure all cables are securely connected to their respective ports.

Autoradio



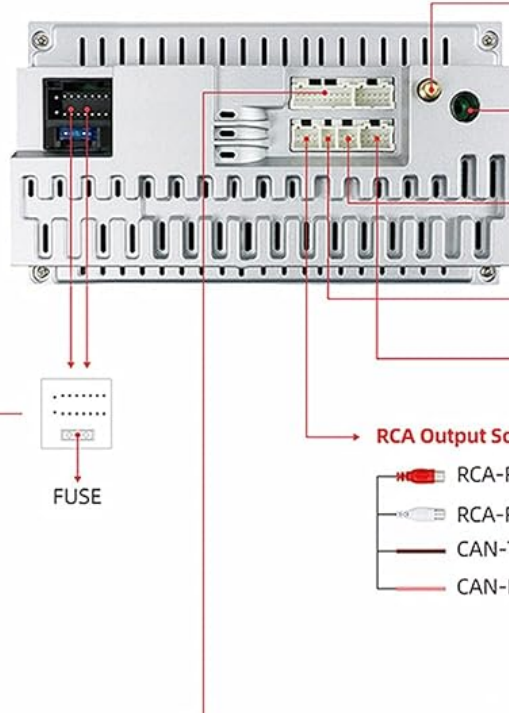
Frame



Installation Tips

Power Socket

- B+(12V)
- ACC
- ILL
- REVERSE
- RL+
- RL-
- FL+
- FL-
- ANT
- GND
- KEY1
- KEY2
- RR+
- RR-
- FR+
- FR-



GPS Antenna

ANT
 (Not included in our parcel)

Double USB Cable

USB Cable

FUSE

- ### RCA Output Socket C
- RCA-RR
 - RCA-RL
 - CAN-TX
 - CAN-RX

- ### RCA Output Socket D
- WIFI Antenna
 - Bluetooth Antenna
 - CAMERA
 - PARKING

- ### RCA Output Socket A
- RCA-FR
 - RCA-FL
 - AUX IN R

- AUX IN L
- SUB-WOOFER
- AUX Video in 1

- FRONT CAMERA
- MIC
- AMP

Power Socket	RCA Output Socket A	RCA Output Socket B	RCA Output Socket C	Rear Camera	External Mic
Instructions	GPS Antenna	USB Cable	Install Brackets	Power Socket A	Canbus

This diagram illustrates the connections for the power socket, RCA outputs, GPS antenna, USB cables, and other accessories. Ensure all connections are secure and correctly matched to your vehicle's wiring.

4.2. Frame Kit Installation

Use the provided frame kit to integrate the car stereo seamlessly into your vehicle's dashboard. Follow the specific instructions for your Benz Smart fortwo 451 model.

4.3. Camera and Microphone Connection

Connect the included LED rear camera to the designated input for reverse viewing. The external microphone should be positioned for optimal voice pickup.

Support DAB+ (optional)

With the DAB+ antenna receiver, you can enjoy more of your favorite digital audio broadcast channels with superior CD-like sound quality.



DAB+ receiver

Built-in RDS, support DAB+

Optional ASIN: B092D31BVX

Support 4G Internet / WIFI

Built-in WiFi modem, and come with wifi antenna for better signal reception, you can also access the internet with the external 3G/4G Dongle.



3G/4G dongle

Connect the dongle to the internet

Optional ASIN: B0B59C09GF

Rear Camera & Front Camera Input

Make your driving and reverse much safer (FREE LED Rear Camera)



Rear Camera
Solve the trouble of obstructed vision at night.

WIDE-ANGLE | **WATERPROOF** | **SMALL SIZE**

GIFT

Bluetooth 5.0
Built-in Bluetooth module, support Bluetooth phone/ hands-free calls / Music playing

External Mic
The communication is very clear

IT SOUNDS LOUD | **NOISE REDUCTION** | **PLUG AND PLAY**

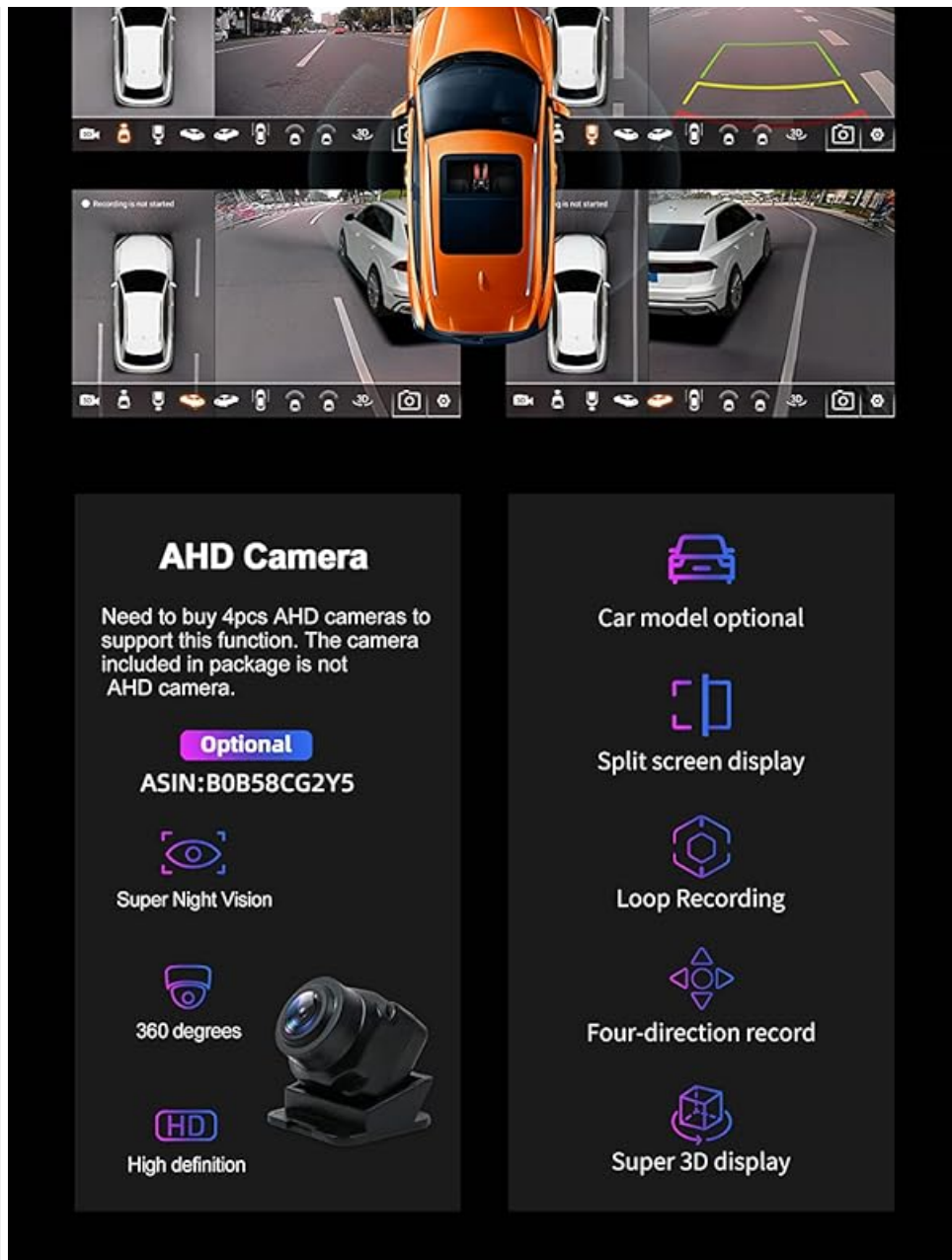
GIFT

An external microphone is included to improve call quality and voice command accuracy. The system supports rear and front camera inputs for enhanced safety.

For **360-degree panoramic parking function**, optional AHD cameras are required and must be purchased separately. This feature provides a comprehensive view around your vehicle.

360° PANORAMIC FUNCTION

360° panoramic parking function allows you to see the location around the car clearly.



The system supports a 360-degree panoramic parking function, which requires optional AHD cameras (not included). This provides a clear, all-around view of your vehicle's surroundings.

5. OPERATING INSTRUCTIONS

5.1. System Overview

The car stereo runs on **Android 12**, powered by an **Octa-Core Rockchip AC8257 A53 processor** (2.0 GHz). It features **8GB RAM** and **256GB ROM** for smooth performance and ample storage.

The Octa core Talented Star

8G+256G



OCTA CORE

2.0-2.5GHz



14

Android

4G

Support
4G/WIFI

Bluetooth 5.0

Bluetooth



Wireless
Wired



Support 1280*600 HD

Fast-boot



Amplifier

TDA7851
4x48w



DSP

Cinematic musicn enjoyment

Support

AHD&360

Camera



The system runs on Android 12 with an Octa-Core Rockchip AC8257 A53 processor, 8GB RAM, and 256GB ROM, providing a powerful and responsive user experience. It also supports 4G/WiFi, Bluetooth 5.0, IPS display, Fast-boot, DSP, and AHD/360 cameras.

5.2. Wireless Carplay & Android Auto

The unit features built-in wireless Carplay and Android Auto. Connect your smartphone wirelessly to access navigation, make calls, send messages, and play music directly from your phone's interface on the car stereo screen.



Built-in DSP

64-bit double precision mode

- *64-Band Equalization*
- *Surround Sound Setting*
- *Bass Boost Setting*
- *Subwoofer Adjustment*





Integrated wireless Carplay and Android Auto allow seamless smartphone integration for navigation, calls, messages, and music playback.

5.3. Digital Sound Processor (DSP)

The built-in DSP features a 64-bit double precision mode, offering advanced audio customization. Adjust the 64-band equalization, surround sound settings, bass boost, and subwoofer levels to achieve your preferred audio profile.

5.4. Fast Boot

The Fast Boot feature allows the system to start up in less than 2 seconds, providing quick access to all functions after turning on your vehicle.





The Fast Boot feature enables the system to start up in less than 2 seconds, providing quick access to functions.

5.5. MirrorLink

MirrorLink supports mirroring content from both Android and iPhone devices. This allows you to display music, video, and applications from your smartphone directly onto the car stereo screen.

5.6. Split Screen Mode

Utilize the split screen mode to run two applications simultaneously on the display. For example, you can view navigation on one side and control music on the other.

5.7. Radio (AM/FM, RDS, DAB+)

The unit includes an integrated AM/FM tuner with RDS (Radio Data System) for displaying station information. DAB+ digital radio is supported with an optional DAB+ adapter (ASIN: [B092D31BVX](#)) for superior digital audio quality.

5.8. Navigation (GPS)

The system supports both online and offline GPS navigation. Connect the provided GPS antenna for accurate positioning and reliable route guidance.

5.9. Bluetooth 5.0

Integrated Bluetooth 5.0 enables hands-free calling, wireless music streaming, and phonebook synchronization with your

compatible devices.

5.10. 4G/WiFi Connectivity

The unit features built-in WiFi for internet access. For 4G connectivity, an optional 4G dongle (ASIN:[B092D31BVX](#)) is required.

5.11. Steering Wheel Control

Connect the unit to your vehicle's steering wheel controls for convenient operation of audio functions (volume, track change) and other features, enhancing driving safety.

5.12. OBD2 Support

OBD2 functionality is supported. With an optional Bluetooth OBD2 module and a compatible application (e.g., Torque, available in the Play Store), you can retrieve vehicle error codes and display real-time diagnostic information on the screen.

6. MAINTENANCE

- **Cleaning:** Use a soft, dry cloth to clean the screen and unit. Avoid abrasive cleaners or solvents.
- **Software Updates:** Periodically check the manufacturer's official website for available software updates to ensure optimal performance and access to new features.
- **Environmental Conditions:** Protect the unit from excessive moisture, dust, and extreme temperatures.

7. TROUBLESHOOTING

Problem	Possible Cause	Solution
No Power	Incorrect wiring; Blown fuse; Vehicle battery issue.	Check power cable connections; Inspect vehicle fuses; Verify vehicle battery charge.
No Sound	Volume too low; Mute activated; Speaker wiring issue.	Increase volume; Check mute settings; Verify speaker connections.
GPS Signal Loss	GPS antenna not connected or obstructed.	Ensure GPS antenna is securely connected and has a clear view of the sky.
Bluetooth Connection Issues	Device not in pairing mode; Interference.	Ensure Bluetooth is enabled on both devices and in pairing mode; Try re-pairing.
Touchscreen Unresponsive	System freeze; Software glitch.	Perform a soft reset (refer to specific device instructions if available); Contact support if persistent.

8. SPECIFICATIONS

- **Operating System:** Android 12
- **CPU:** Rockchip AC8257 A53 Octa-Core, 2.0 GHz
- **RAM:** 8GB LPDDR4
- **ROM:** 256GB SSD
- **Screen:** IPS, 1280 x 600 HD
- **Power Output:** 4 x 50W Max
- **Radio Tuner:** AM/FM (Worldwide), RDS

- **Bluetooth:** Version 5.0
- **Connectivity:** 4G (optional dongle), WiFi
- **USB/MicroSD Support:** Up to 500GB
- **Weight:** 2.3 Kilograms

9. WARRANTY INFORMATION

This product comes with a **2-Year Warranty** from the date of purchase. Please retain your proof of purchase for warranty claims. The warranty covers manufacturing defects but does not cover damage caused by improper installation, misuse, accidents, or unauthorized modifications.

10. SUPPORT

For technical assistance, troubleshooting, or any inquiries regarding your BXLIYER SXAUTO car stereo, please contact our technical support team:

- **Email:** [SXAUTO_TECHSUPPORT@163.com](mailto: SXAUTO_TECHSUPPORT@163.com)

When contacting support, please provide your product model number and a detailed description of the issue.