

Manuals+

[Q & A](#) | [Deep Search](#) | [Upload](#)

manuals.plus /

› [LAUFEN](#) /

› [LAUFEN Universal Two-Piece Floor-Standing Cistern H8296610009811 User Manual](#)

LAUFEN H8296610009811

LAUFEN Universal Two-Piece Floor-Standing Cistern H8296610009811 User Manual

Model: H8296610009811

Brand: LAUFEN

1. INTRODUCTION

This manual provides essential information for the proper installation, operation, and maintenance of your LAUFEN Universal Two-Piece Floor-Standing Cistern, model H8296610009811. Please read these instructions carefully before beginning installation or use to ensure optimal performance and longevity of the product.

For your safety, all plumbing and installation work should be performed by a qualified professional in accordance with local building codes and regulations.

2. PRODUCT OVERVIEW

The LAUFEN Universal Cistern is a high-quality, two-piece ceramic unit designed for floor-standing installation. It features a dual-flush mechanism, offering water-saving options for different waste types. The cistern is supplied in white and includes a chrome-plated bracket insulated against condensation, along with necessary mounting accessories.





This image displays the LAUFEN Universal two-piece floor-standing cistern in white, showcasing its sleek, modern design.

3. COMPONENTS INCLUDED

The following components are typically included with your LAUFEN Universal Cistern:

- Universal Floor-Standing Cistern (1 unit)
- Chrome-plated bracket, insulated against condensation
- Mounting accessories

4. SETUP AND INSTALLATION

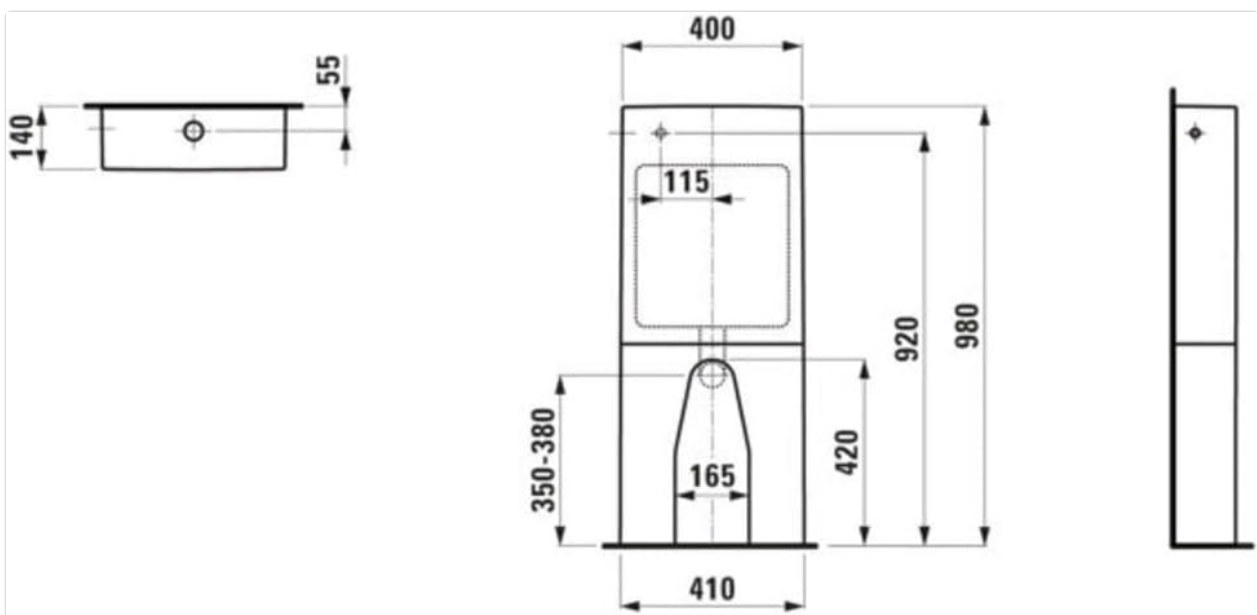
Installation of the LAUFEN Universal Cistern requires careful attention to detail and adherence to plumbing standards. It is strongly recommended that installation be carried out by a certified plumber.

4.1. Pre-Installation Checks

- Ensure the installation area is clean, level, and structurally sound.
- Verify that the water supply connection point (rear left) is correctly positioned.
- Unpack all components and check for any damage or missing parts.

4.2. Installation Steps (General Guide)

1. **Prepare the Installation Area:** Ensure the floor is clean and level where the cistern will be placed.
2. **Position the Cistern:** Carefully place the two-piece cistern unit in its intended floor-standing position.
3. **Connect Water Supply:** Connect the water inlet pipe to the rear left connection point of the cistern. Ensure all connections are watertight.
4. **Secure the Cistern:** Use the provided mounting accessories to securely fasten the cistern to the floor, following the manufacturer's guidelines.
5. **Install Bracket:** Attach the chrome-plated bracket, ensuring it is properly insulated to prevent condensation.
6. **Leak Test:** Turn on the water supply and carefully inspect all connections for any leaks. Allow the cistern to fill and flush several times to confirm proper operation.



This technical drawing illustrates the dimensions and connection points of the LAUFEN Universal cistern, including height, width, depth, and water inlet position.



This image shows the LAUFEN Universal cistern installed as part of a complete toilet unit in a bathroom setting, demonstrating its integrated appearance.

5. OPERATING INSTRUCTIONS

The LAUFEN Universal Cistern features a dual-flush system designed to conserve water. The flush mechanism allows you to choose between two different flush volumes:

- **Full Flush:** Typically 6 liters or 4.5 liters, intended for solid waste. Activate by pressing the larger button or the full press of a single button.
- **Reduced Flush:** Typically 3 liters, intended for liquid waste. Activate by pressing the smaller button or a partial press of a single button.

Familiarize yourself with the specific flush button configuration on your toilet pan to utilize the dual-flush feature effectively.

6. MAINTENANCE AND CARE

Regular cleaning and maintenance will ensure the longevity and hygienic operation of your cistern.

- **Cleaning:** Clean the exterior ceramic surfaces with a soft cloth and mild, non-abrasive cleaning agents. Avoid harsh chemicals, abrasive pads, or strong detergents, as these can damage the finish.
- **Internal Components:** Periodically inspect the internal flush mechanism for any signs of wear, mineral buildup, or obstructions. If necessary, consult a professional for internal cleaning or component replacement.
- **Leak Detection:** Regularly check for any signs of water leaks around the base of the cistern or connections. Address any leaks promptly to prevent water damage.
- **Condensation:** The chrome-plated bracket is insulated against condensation. Ensure this insulation remains intact.

7. TROUBLESHOOTING

Below are common issues and potential solutions. If problems persist, contact a qualified plumber or LAUFEN customer support.

Issue	Possible Cause	Solution
Cistern not filling	Water supply valve closed; inlet valve malfunction	Ensure water supply valve is fully open. Inspect or replace inlet valve if necessary.
Continuous water flow into bowl	Flush valve seal worn or obstructed; float mechanism incorrectly set	Clean or replace flush valve seal. Adjust float mechanism to correct water level.
Weak or incomplete flush	Insufficient water level; partial blockage in flush mechanism or toilet pan	Check water level in cistern and adjust if low. Clear any blockages in the toilet system.
Leaks around cistern base	Loose connections; damaged seals	Tighten connections. Inspect and replace any damaged seals.

8. SPECIFICATIONS

Feature	Detail
Manufacturer	Laufen
Model Number	H8296610009811
Color	White
Product Dimensions (L x W x H)	44.5 x 44.5 x 57.5 cm
Weight	22.5 Kilograms
Flush Volume	Dual Flush: 6/3 liters or 4.5/3 liters
Water Connection	Rear Left
Material	Ceramic
Installation Type	Floor-standing, two-piece
Components Included	Cistern, chrome-plated bracket, mounting accessories

9. WARRANTY INFORMATION

LAUFEN products are manufactured to high-quality standards. For detailed information regarding the warranty period, terms, and conditions applicable to your H8296610009811 cistern, please refer to the official LAUFEN website or contact their customer service directly. Keep your proof of purchase for any warranty claims.

10. SUPPORT AND CONTACT

Should you require further assistance, technical support, or information regarding spare parts for your LAUFEN Universal Cistern, please contact LAUFEN customer service through their official channels. You can typically find contact information on the LAUFEN website.

LAUFEN Official Website: www.laufen.com (Please check for your regional website)