

## Manuals+

[Q & A](#) | [Deep Search](#) | [Upload](#)

manuals.plus /

> [Airlonv](#) /

> [Airlonv LED Desk Lamp User Manual](#)

## Airlonv HD-PL18DC1002

# Airlonv LED Desk Lamp User Manual

MODEL: HD-PL18DC1002

Eye-Caring Desk Light with Stepless Dimming and Adjustable Gooseneck

## 1. Introduction

---

Thank you for choosing the Airlonv LED Desk Lamp. This eye-caring desk light is designed to provide optimal illumination for various tasks such as reading, working, studying, drawing, and crafting. With its stepless dimming, adjustable color temperature, and flexible gooseneck, it offers a customizable and comfortable lighting experience while saving valuable desk space.



Figure 1.1: Airlonv LED Desk Lamp in a typical office setup.

## 2. Product Features

---

- **Stepless Dimming Mode:** Offers effortless switching of color temperatures (2700K-6500K) and stepless dimming (1% - 100%) to meet arbitrary color temperature and brightness needs.
- **360° Adjustable & Long Flexible Gooseneck:** Easy adjustment to your preferred position, providing full control over the direction of light. Made of aluminum and ABS material for excellent heat dissipation and a long lifespan of up to 60,000 hours.
- **Big Size & Fit Models:** Features a 17-inch extra-wide lamp bar that fully lights up your workspace. Suitable for a maximum work height of about 31 inches, compatible with 30-inch monitors and smaller.
- **Energy Saving & Eye Care:** Composed of 100 high-quality lamp beads, consuming 85% less energy than traditional incandescent lamps. Provides uniform brightness, wide lighting range, and absence of strobos, blue light hazards, and glare, safeguarding eyesight and minimizing eye fatigue.
- **Reliable USB Adapter:** Comes with a complimentary 5V/3A reliable adapter.



Figure 2.1: Stepless dimming and color temperature adjustment capabilities.



Figure 2.2: The 17-inch lamp head provides ample lighting for a wide workspace.

### 3. Package Contents

Please verify that all items are present in the package:

- 1x Eye-caring Desk Lamp

- 1x Metal Clamp
- 1x Power Adapter (5V/3A)
- 1x User Manual

## 4. Setup and Installation

---

The Airlonv LED Desk Lamp is designed for easy installation with its adjustable metal clamp. Follow these steps to set up your lamp:

1. **Attach the Clamp:** Secure the metal clamp to the edge of your desk. The sturdy metal clips can support desktops up to 2.36 inches thick. Ensure the clamp is tightened firmly for stability.
2. **Insert the Lamp Base:** Insert the base of the lamp into the designated slot on the clamp. Rotate to secure it if necessary.
3. **Adjust the Gooseneck:** The flexible gooseneck allows for 360-degree adjustment. Position the lamp head to direct light precisely where needed.
4. **Connect Power:** Plug the provided 5V/3A USB adapter into a power outlet and connect it to the lamp's power cable.
5. **Cable Management:** Utilize the built-in wire management feature to neatly collect and conceal the wires, ensuring a clean and organized desk setup.



Figure 4.1: Step-by-step installation guide.



Figure 4.2: Detail of the clamp and gooseneck flexibility.

## 5. Operating Instructions

The Airlonv LED Desk Lamp features intuitive touch controls for easy operation:

- **Power On/Off:** Press the power button on the control panel to turn the lamp on or off.
- **Adjust Brightness (Stepless Dimming):** While the lamp is on, press and hold the power button to smoothly adjust the brightness from 1% to 100%. Release the button when the desired brightness is reached.
- **Change Color Temperature:** Tap the power button repeatedly to cycle through different color temperature modes (e.g., warm white, natural white, cool white). The lamp offers a range from 2700K (warm) to 6500K (cool).
- **Memory Function:** The lamp will remember your last brightness and color temperature settings when turned off and on again.



Figure 5.1: Touch control panel for power and adjustments.



Figure 5.2: Versatile usage scenarios for the desk lamp.

## 6. Maintenance

To ensure the longevity and optimal performance of your Airlonv LED Desk Lamp, follow these simple maintenance guidelines:

- **Cleaning:** Disconnect the power adapter before cleaning. Use a soft, dry cloth to wipe the lamp. Do not use abrasive cleaners, solvents, or harsh chemicals, as they may damage the finish or electronic components.

- **Dust Removal:** Regularly dust the lamp head and gooseneck to prevent dust buildup, which can affect light output and heat dissipation.
- **Handling:** While the gooseneck is flexible, avoid excessive force or continuous bending at extreme angles to prevent damage.
- **Lifespan:** The LED lamp beads have a long lifespan of up to 60,000 hours, requiring no bulb replacement under normal use.

## 7. Troubleshooting

---

If you encounter any issues with your Airlonv LED Desk Lamp, please refer to the following common troubleshooting steps:

| Problem  | Possible Cause                             | Solution  |
|--|--|---|
| Lamp does not turn on.                         | No power supply.                           | Ensure the power adapter is securely plugged into both the lamp and a working electrical outlet.  |
| Lamp flickers or is too dim.                   | Insufficient power or faulty connection.   | Check power connections. Ensure you are using the provided 5V/3A adapter. Try a different outlet.   |
| Cannot adjust brightness or color temperature. | Control panel issue or improper operation. | Ensure you are using the correct touch gestures (tap for color, press and hold for dimming). If the issue persists, contact customer support. |
| Lamp is unstable on desk.                      | Clamp not secured properly.                | Tighten the metal clamp firmly to the desk edge. Ensure the desk thickness is within the supported range (up to 2.36 inches).                 |

If the problem persists after attempting these solutions, please contact Airlonv customer support for further assistance.

## 8. Specifications

---

| Specification          | Detail  |
|------------------------|---|
| Model Number           | HD-PL18DC1002                                   |
| Brand                  | Airlonv   |
| Dimensions (D x W x H) | 1.81" x 17" x 35"                               |
| Item Weight            | 1.8 Pounds                                      |
| Material               | Aluminum, Acrylonitrile Butadiene Styrene (ABS) |
| Finish Type            | Iron  |
| Light Source Type      | LED   |
| Wattage                | 10 watts  |
| Voltage                | 5 Volts (DC)                                    |

| Specification           | Detail                      |
|-------------------------|-----------------------------|
| Color Temperature       | 2700K-6500K (Adjustable)    |
| Dimming Range           | 1% - 100% (Stepless)        |
| Switch Type             | Push Button / Touch Control |
| Mounting Type           | Tabletop (Clamp)            |
| Max Clamp Thickness     | 2.36 inches                 |
| Lifespan                | Up to 60,000 hours          |
| Connectivity Technology | USB                         |
| UPC                     | 794969532060                |

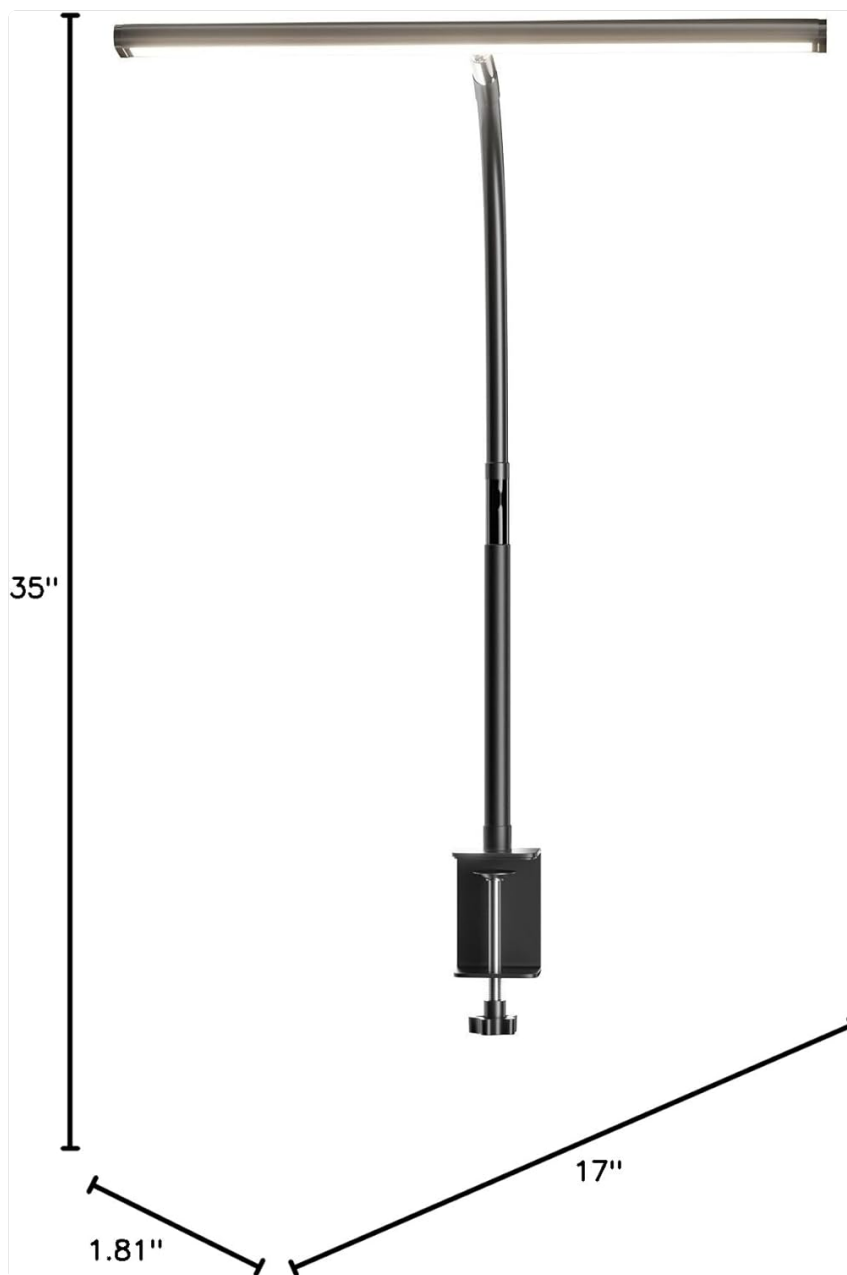


Figure 8.1: Product Dimensions.

## 9. Warranty and Customer Support

---

Airlonv is committed to providing high-quality products and excellent customer service. Your LED Desk Lamp is backed by comprehensive support:

- **Warranty:** Enjoy a 24-month warranty and lifetime service.
- **Money Back Guarantee:** A 90-day money-back guarantee is provided for your peace of mind.
- **Customer Support:** Our dedicated 24/7 customer support team is available to assist you promptly and effectively with any questions or concerns.
- **Complimentary Replacements:** Complimentary consumable replacements are available if needed.

For assistance, please contact Airlonv Direct through your purchase platform or visit the official Airlonv store.