

## Manuals+

[Q & A](#) | [Deep Search](#) | [Upload](#)

[manuals.plus](#) /

› [Relaxdays](#) /

› [Relaxdays Kitchen Roll Holder User Manual](#)

## Relaxdays 10043318

# Relaxdays Kitchen Roll Holder User Manual

Model: 10043318

## INTRODUCTION

---

Thank you for choosing the Relaxdays Kitchen Roll Holder. This manual provides essential information for the safe and efficient use of your new kitchen accessory. Please read it thoroughly before assembly and use, and keep it for future reference.





Image: The Relaxdays Kitchen Roll Holder, a standing paper towel rack made of stainless steel and bamboo, holding a standard roll of paper towels.

## SAFETY INSTRUCTIONS

---

- Ensure the holder is placed on a stable, flat surface to prevent tipping.
- Keep out of reach of small children to avoid accidental injury.
- Do not use abrasive cleaners or materials that could scratch the stainless steel or bamboo components.
- This product is designed for holding standard kitchen paper rolls only. Do not use for other purposes.

## PARTS LIST

---

Before assembly, please ensure all parts are present and undamaged.

- 1x Main upright rod with top finial
- 1x Base plate with foam pads
- 1x Stopper rod with ball finial

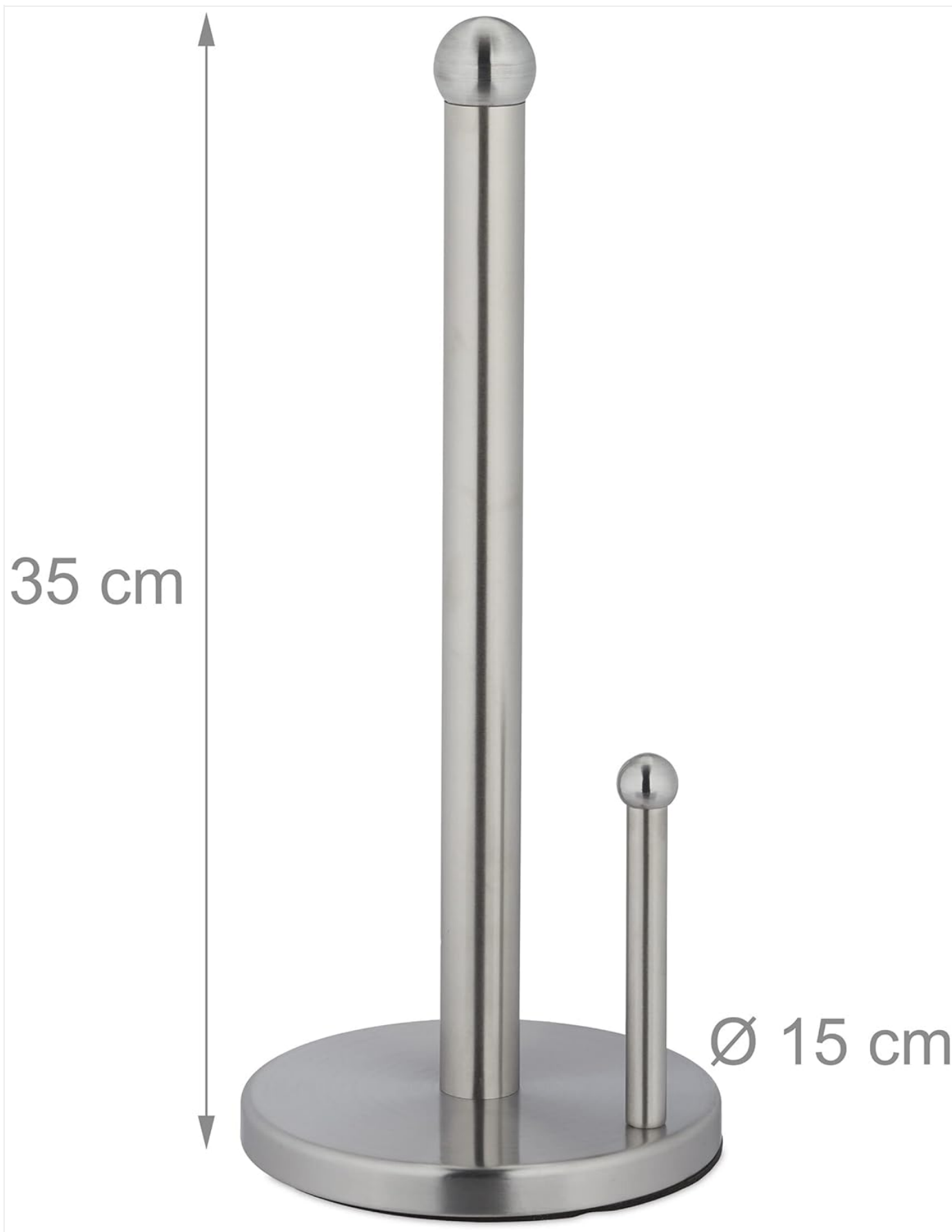


Image: A diagram illustrating the dimensions of the kitchen roll holder, showing a height of 35 cm and a base diameter of 15 cm.

## SETUP

---

The Relaxdays Kitchen Roll Holder is designed for easy assembly. No tools are required.

1. Carefully unpackage all components and place them on a clean, flat surface.
2. Screw the main upright rod into the threaded hole in the center of the base plate. Turn clockwise until securely tightened.
3. Screw the stopper rod into the smaller threaded hole on the base plate, adjacent to the main rod. Turn clockwise until securely tightened.
4. Place a standard kitchen paper roll onto the main upright rod. Ensure it rests on the base and is guided by the stopper rod.



Image: A close-up view of the base of the kitchen roll holder, showing the brushed stainless steel finish and the secure attachment points for the rods.

## OPERATING

---

Using your kitchen roll holder is straightforward:

- Place the assembled holder on your kitchen countertop or any desired flat surface. The foam pads on the base provide stability and protect surfaces from scratches.
- To dispense paper towels, simply pull the desired amount from the roll. The stopper rod is designed to prevent the

roll from unwinding unintentionally, allowing for easy one-handed tearing.

- When the roll is empty, slide off the cardboard core and replace it with a new standard kitchen paper roll.



Image: A person demonstrating how to tear a sheet from the paper towel roll, highlighting the ease of use with the integrated stopper.

## MAINTENANCE

---

To keep your kitchen roll holder in optimal condition:

- Clean regularly with a soft, damp cloth.
- For stubborn marks, use a mild soap solution and wipe dry immediately to prevent water spots on the stainless steel.
- Avoid using abrasive cleaners, scouring pads, or harsh chemicals, as these can damage the finish.
- Do not immerse the product in water.

## TROUBLESHOOTING

Problem	Possible Cause	Solution
Holder wobbles or tips easily.	Not placed on a flat surface; rods not tightened.	Ensure placement on a stable, flat surface. Check and tighten both the main upright rod and the stopper rod.
Paper roll does not unroll smoothly.	Roll is too wide or stopper rod is loose.	Ensure you are using a standard-sized kitchen paper roll. Check if the stopper rod is securely tightened.
Scratches on countertop.	Foam pads are missing or damaged.	Inspect the foam pads on the underside of the base. If damaged or missing, contact customer support for assistance.

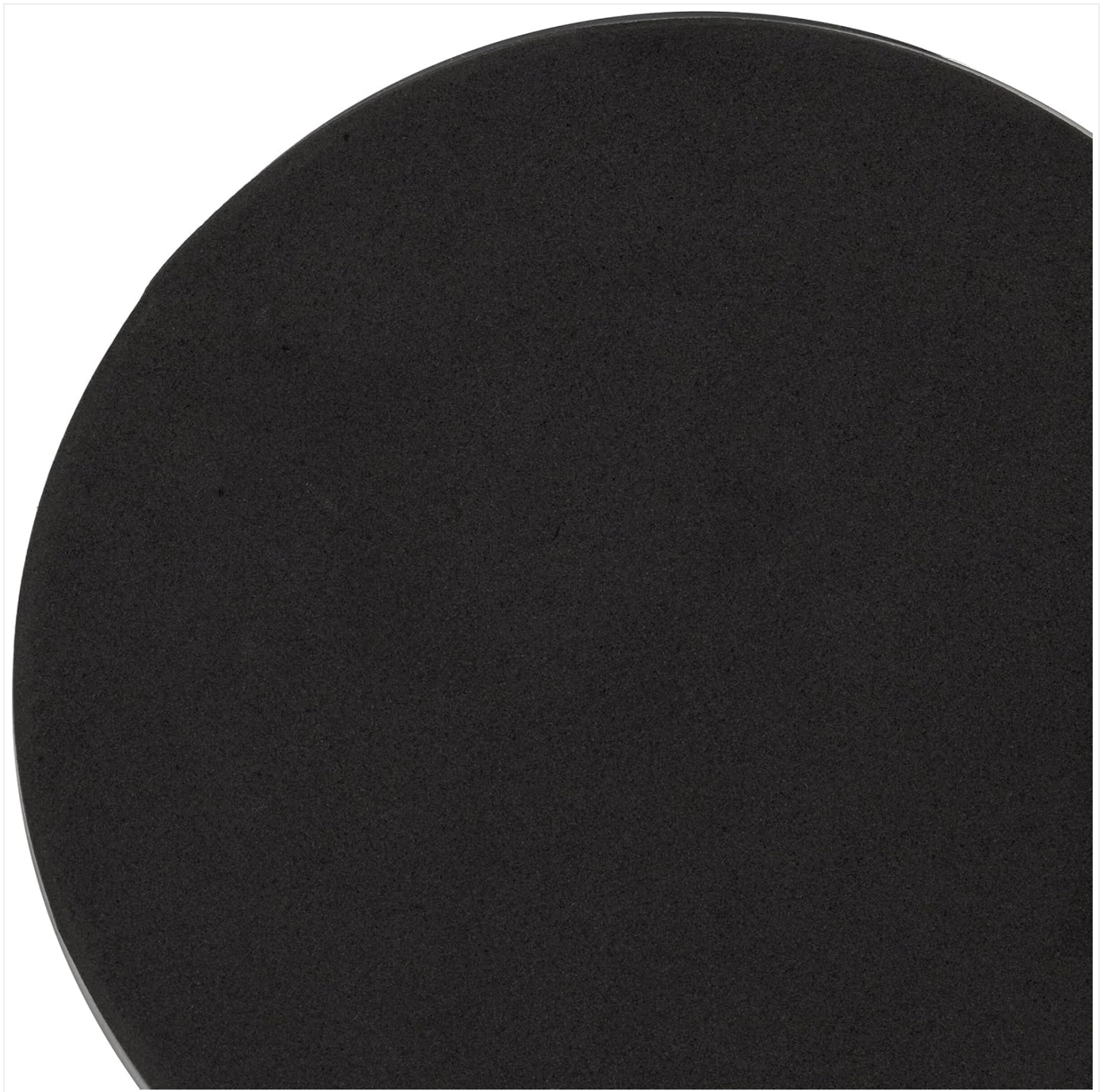


Image: A detailed view of the black foam pads located on the underside of the holder's base, designed to prevent scratches and provide stability.

## SPECIFICATIONS

---

**Model Number:** 10043318

**Dimensions (H x Ø):** 35 x 15 cm (approx. 13.78 x 5.91 inches)

**Weight:** Approx. 570 g (1.25 pounds)

**Material:** Stainless Steel

**Color:** Silver

**Included Components:** 1 x kitchen roll holder (to be assembled)

## WARRANTY AND SUPPORT

---

Relaxdays products are manufactured with care and undergo strict quality controls. If you experience any issues with your Kitchen Roll Holder, please contact Relaxdays customer support.

For support, please visit the official Relaxdays website or refer to the contact information provided with your purchase.

Please have your model number (10043318) ready when contacting support.



Image: The product packaging box, featuring the 'relaxdays' logo, indicating the brand of the kitchen roll holder.



Image: A product label displaying a barcode (4052025433185) and contact details for Relaxdays, including their website and support email.

For more information, visit [www.relaxdays.de](http://www.relaxdays.de) or email [support@relaxdays.de](mailto:support@relaxdays.de).

