



Manuals.plus /

- › Govee /
- › Govee Smart Recessed Lighting 4 Inch (Model H601B) User Manual

Govee H601B

Govee Smart Recessed Lighting 4 Inch (Model H601B) User Manual

Model: H601B

1. INTRODUCTION

This manual provides comprehensive instructions for the installation, operation, and maintenance of your Govee Smart Recessed Lighting 4 Inch (Model H601B). These Wi-Fi and Bluetooth-enabled RGBWW LED downlights offer versatile lighting options, including 16 million colors, tunable white light from 2700K to 6500K, and various scene modes. They are designed for direct control via the Govee Home App and are compatible with Alexa and Google Assistant for smart voice control.

2. SAFETY INFORMATION

Please read all safety instructions before installation and use. Failure to follow these instructions may result in electric shock, fire, or other hazards.

- **Electrical Safety:** Always turn off power at the circuit breaker before installing, removing, or servicing the fixture. Ensure all electrical connections comply with local and national electrical codes.
- **Indoor Use Only:** This product is designed for indoor use in dry locations. Do not expose to water or moisture.
- **Voltage:** Ensure the power supply voltage (120 Volts) matches the fixture's requirements.
- **No External Dimmers:** These smart lights are not compatible with traditional external dimmers. Dimming is controlled via the Govee Home App or voice assistants.
- **Proper Installation:** Follow the installation steps carefully. If you are unsure about electrical wiring, consult a qualified electrician.
- **Heat Dissipation:** Ensure adequate clearance around the fixture for proper heat dissipation. Minimum ceiling clearance is >1.5 inches.

3. WHAT'S IN THE BOX

Verify that all components are present before beginning installation.

- Recessed Lighting Fixtures (4 units)
- Junction Boxes (4 units)



Image 3.1: Contents of the Govee Smart Recessed Lighting 4 Inch package, showing four downlights, their junction boxes, and the product packaging with the Govee Home App interface.

4. SPECIFICATIONS

Brand	Govee
Model Number	H601B
Size	4 Inch
Light Color	RGBWW (Red, Green, Blue, Warm White, Cool White)
Color Temperature	2700K - 6500K (Tunable White)
Brightness	850 Lumen
Wattage	11 watts
Voltage	120 Volts
Connectivity	Wi-Fi (2.4GHz only), Bluetooth
Control Method	Govee Home App, Amazon Alexa, Google Assistant
Installation Type	Recessed, Canless
Indoor/Outdoor Usage	Indoor
Material	Plastic
Fixture Type	Non-Removable LED

Note: The specification for 'Bulb Base: GU10' appears to be a generic entry and does not apply to this integrated LED downlight.

5. SETUP AND INSTALLATION

Follow these steps to properly install your Govee Smart Recessed Lighting.

5.1 Pre-Installation Considerations

- Ensure power is turned off at the circuit breaker before starting.
- Verify that your ceiling has a minimum clearance of >1.5 inches above the drywall for the fixture.
- The recommended cutout size for the ceiling hole is 4.125 inches.

B601B Product Dimension

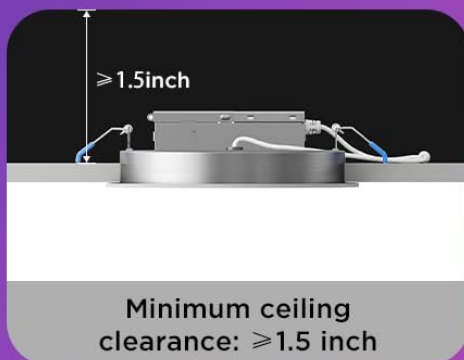
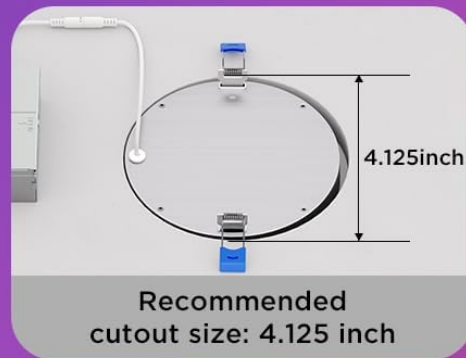
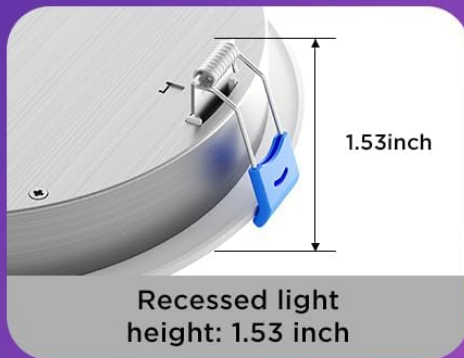
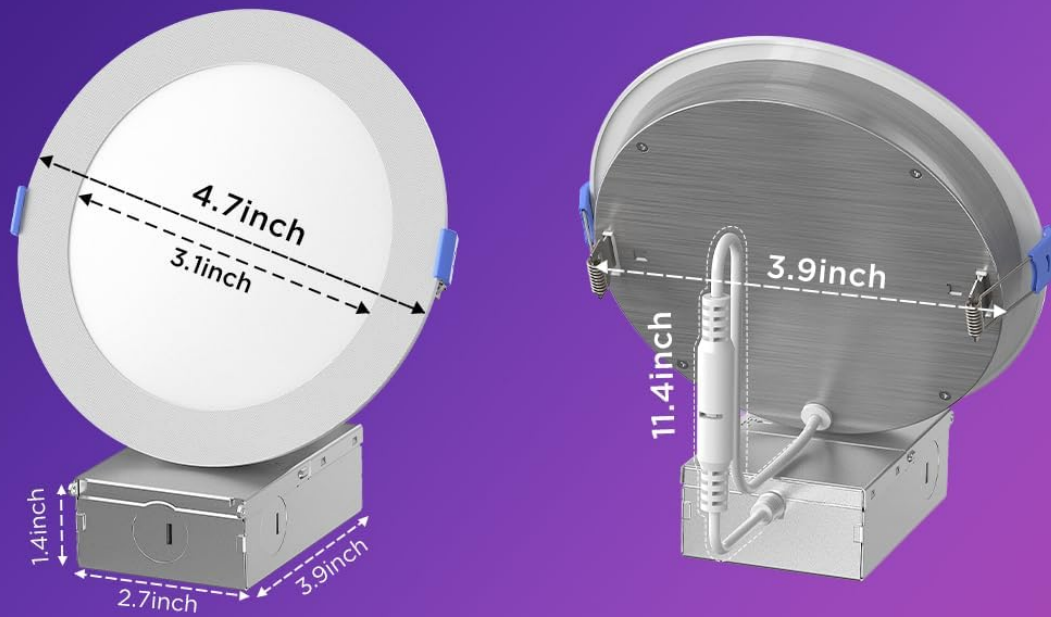


Image 5.1: Product dimensions and installation requirements, including a recommended cutout size of 4.125 inches and minimum ceiling clearance of 1.5 inches.

5.2 Installation Steps

1. **Cut Hole:** Using a template (if provided) or measuring carefully, cut a 4.125-inch diameter hole in the ceiling at the desired location.
2. **Connect Wiring:** Open the junction box. Connect the household electrical wires (live, neutral, ground) to the corresponding wires inside the junction box using appropriate wire connectors. Ensure secure connections.
3. **Close Junction Box:** Securely close the junction box cover.

4. **Connect Fixture to Junction Box:** Connect the cable from the recessed light fixture to the cable extending from the junction box. Ensure the connectors click into place.
5. **Insert Junction Box:** Push the junction box up into the ceiling hole.
6. **Secure Fixture:** Press the spring clips on the sides of the recessed light fixture upwards. Carefully push the fixture into the ceiling hole until the clips engage and hold the light flush against the ceiling.



Image 5.2: Step-by-step visual guide for installing the recessed lighting fixture.

5.3 App Pairing and Connectivity

After physical installation, download the Govee Home App and pair your lights.

1. Download the **Govee Home App** from the App Store (iOS) or Google Play Store (Android).
2. Create an account or log in.
3. Turn on the power to the lights at the circuit breaker. The lights should blink, indicating pairing mode.
4. In the Govee Home App, tap the '+' icon in the top right corner to add a new device.
5. Select your Govee Smart Recessed Lighting (H601B) from the device list.
6. Follow the in-app instructions to connect the lights to your 2.4GHz Wi-Fi network. (5GHz Wi-Fi is not supported).
7. Once connected, you can control your lights via Wi-Fi or Bluetooth.

6. OPERATING INSTRUCTIONS

Control your Govee Smart Recessed Lighting using the Govee Home App or compatible voice assistants.

6.1 Color and Brightness Adjustment

- Access **16 million colors** to create any desired ambiance.
- Adjust brightness from **1% to 100%**.
- Select tunable white light from **2700K (warm white) to 6500K (cool daylight)** for functional or relaxing lighting.

RGB with Warm to Cool Whites

Colors that match any atmosphere



Image 6.1: Example of RGBWW color options in a living room setting.

6.2 Scene Modes and Music Sync

- Choose from **65 preset scene modes** within the Govee Home App for various occasions (e.g., Reading, Relax, Leisurely, Dance Party).
- Utilize **music modes** to synchronize your lights with your favorite audio.

Multiple Lighting Modes

Effects that fit your lighting needs



Night



Reading



Work



Leisurely



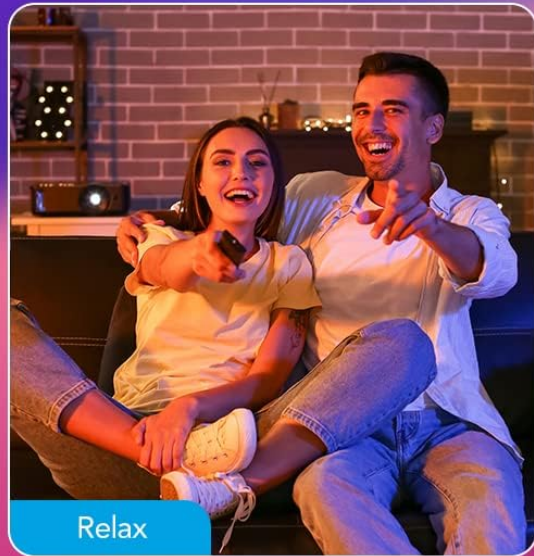
Relax



Dance Party



Reading



Relax



Leisurely



Dance Party

Image 6.2: Examples of multiple lighting modes available through the Govee Home App.

6.3 Group Control

The Govee Home App allows you to group multiple lights for simultaneous control or create separate groups for different rooms or zones.

- Create custom groups for specific areas like 'Bedroom' or 'Living Room'.
- Adjust colors, brightness, and scene modes for an entire group with a single command.

Control All at Once

Simultaneous color displays without the hard work

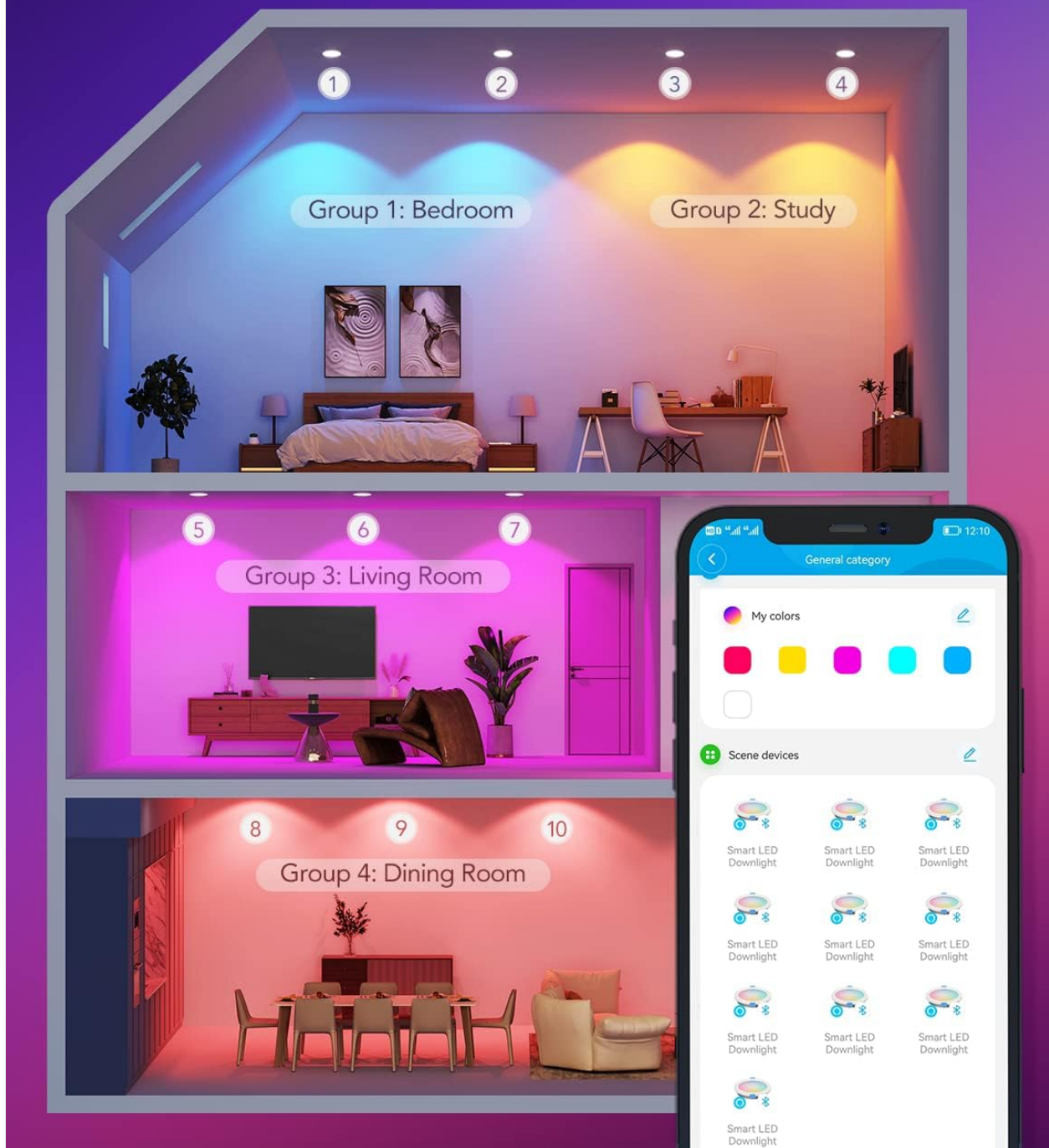


Image 6.3: Illustration of the All-In-One Group Control feature within the Govee Home App.

6.4 Voice Control

Integrate your Govee lights with Amazon Alexa or Google Assistant for convenient voice commands.

- Link your Govee account to Alexa or Google Assistant through their respective apps.
- Use commands such as "Alexa, turn the lights into movie mode" or "Hey Google, turn on the living room lights."

Smart Voice Control

Alexa and Google Assistant Compatibility



Image 6.4: Demonstrating smart voice control compatibility with Alexa and Google Assistant.

6.5 Scheduling

Set schedules for your lights to automatically turn on or off at specific times.

- Configure daily or weekly schedules for individual lights or groups.
- Use the 'Wake up' feature to gradually brighten lights in the morning.

Lights on Your Schedule

Turn your lights on/off at any time

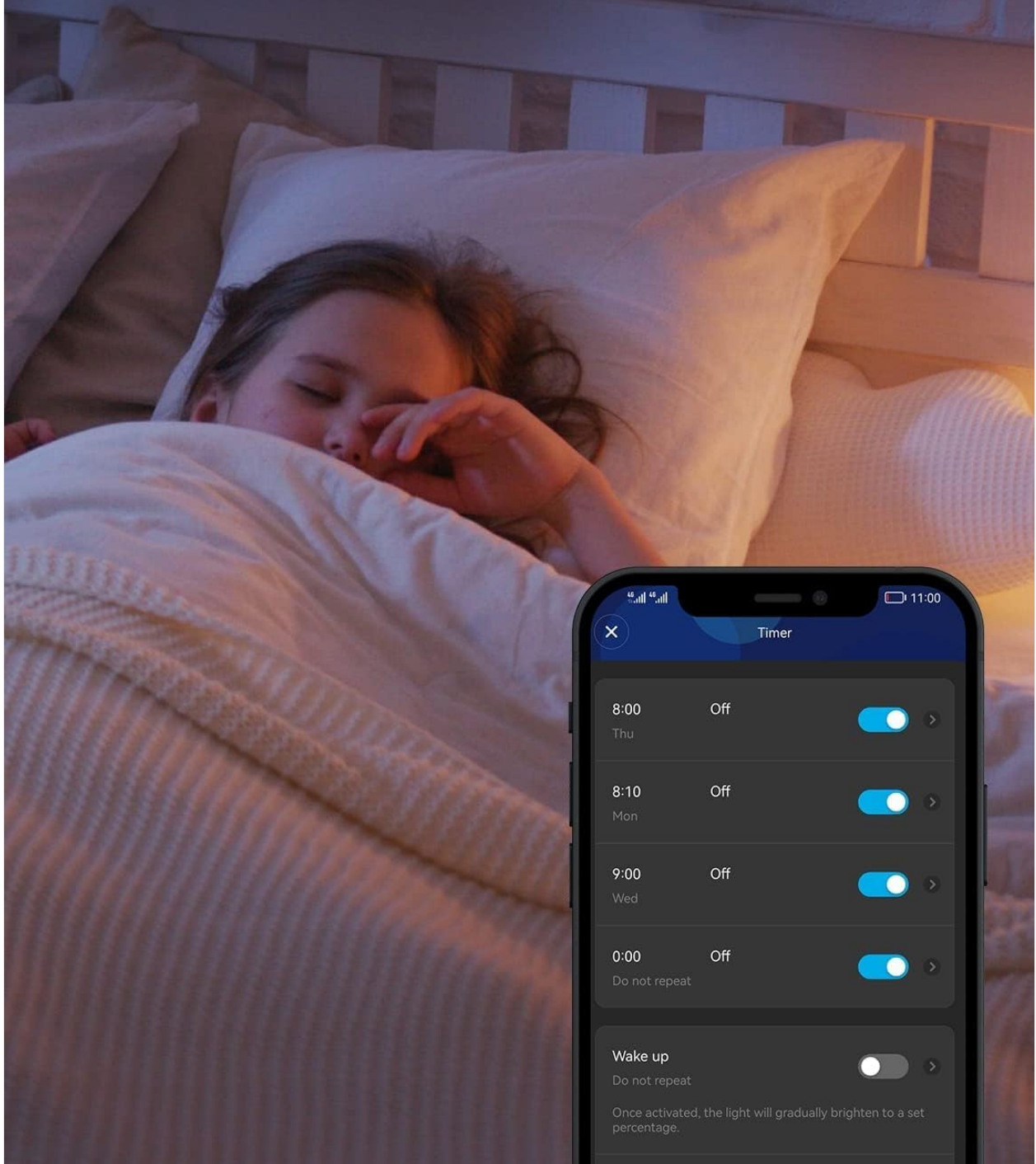


Image 6.5: The Govee Home App's scheduling feature, allowing users to set timers for lights.

7. MAINTENANCE

Govee Smart Recessed Lighting requires minimal maintenance.

- **Cleaning:** Ensure the power is off before cleaning. Use a soft, dry cloth to wipe the surface of the light fixture. Do not use abrasive cleaners or solvents.
- **No User-Serviceable Parts:** The LED components are integrated and not user-replaceable. Do not attempt to disassemble the fixture.

8. TROUBLESHOOTING

If you encounter issues with your Govee Smart Recessed Lighting, refer to the following common solutions:

Problem	Possible Cause / Solution
Light does not turn on.	<ul style="list-style-type: none">• Check if the power is on at the circuit breaker.• Verify all wiring connections are secure.• Ensure the fixture is properly connected to the junction box.
Cannot connect to Wi-Fi/Bluetooth.	<ul style="list-style-type: none">• Ensure your Wi-Fi network is 2.4GHz. 5GHz networks are not supported.• Move closer to the light fixture and your Wi-Fi router.• Restart your router and the light fixture (turn power off/on).• Ensure Bluetooth is enabled on your smartphone.• Reset the light fixture (refer to Govee Home App for specific reset instructions if available).
Voice control not working.	<ul style="list-style-type: none">• Ensure your Govee account is correctly linked to Amazon Alexa or Google Assistant.• Check your internet connection.• Verify the device name in the Govee Home App matches the name used in voice commands.• Ensure your voice assistant device is online and functioning correctly.
Lights are flickering or unresponsive.	<ul style="list-style-type: none">• Check for loose wiring connections.• Ensure the lights are not connected to an external dimmer switch.• Restart the lights by cycling power at the circuit breaker.

9. WARRANTY AND SUPPORT

Govee products come with a standard warranty. For detailed warranty information, please refer to the warranty card included with your product or visit the official Govee website.

If you require further assistance, technical support, or have questions not covered in this manual, please contact Govee Customer Support:

- **Website:** www.govee.com
- **Email:** Refer to the Govee website for current support email addresses.
- **In-App Support:** Access support directly through the Govee Home App.