

ULANZI M013GBB1

ULANZI MA09 Extendable Selfie Stick Tripod Stand

User Manual

1. INTRODUCTION

Thank you for choosing the ULANZI MA09 Extendable Selfie Stick Tripod Stand. This versatile 3-in-1 device functions as a selfie stick, a tripod, and a quadrapod, designed to enhance your photography and videography experience with smartphones, action cameras, and compact cameras. Its integrated design, extendable height, and wireless remote control make it an ideal tool for various shooting scenarios, from vlogging to group photos.



Image: The ULANZI MA09 in its three primary modes: extended as a selfie stick, standing as a full-height tripod, and in a compact tripod configuration, highlighting its versatility.

2. SAFETY INFORMATION

- Do not exceed the maximum weight limit of 150 grams for attached devices.
- Ensure all sections are securely locked when extended to prevent collapse.
- Avoid using the tripod in strong winds or on unstable surfaces, especially when fully extended.
- Keep the device away from water and extreme temperatures.
- Do not attempt to disassemble or modify the product.
- The remote control contains a Lithium Ion battery. Handle with care and dispose of properly.

3. PACKAGE CONTENTS

Please check the package to ensure all items are present:

- ULANZI MA09 Extendable Selfie Stick Tripod Stand
- Wireless Remote Shutter (Type-C USB Rechargeable)
- Phone Mount (integrated)

4. PRODUCT OVERVIEW

The ULANZI MA09 features an integrated design for universal compatibility and enhanced stability.

Key Components:

- **Universal Phone Clip / 1/4" Screw Mount:** The top clip expands to hold smartphones (2.5"-3.7"/65-95 mm) and can be gathered to reveal a 1/4" screw for cameras or action cameras.
- **360° Rotating Balance Handle:** Allows for horizontal and vertical shooting, and 180° up and down angle adjustment.
- **Telescopic Pole:** 8-section ABS-made pole, extendable from 18"/460mm to 71"/1800mm.
- **Quadrapod Base:** Features four stable legs for enhanced support compared to traditional tripods.
- **Wireless Remote Shutter:** Detachable, Type-C USB rechargeable, compatible with most smartphones (Android and iPhone) up to 40ft/12m.
- **Aluminum Tube & Anti-slip Design:** Ensures durability and secure grip.

3-IN-1 TRIPOD

1/4" screw, gopro adapter and phone mount



Camera



GoPro



Smartphone

UNIVERSAL PHONE HOLDER

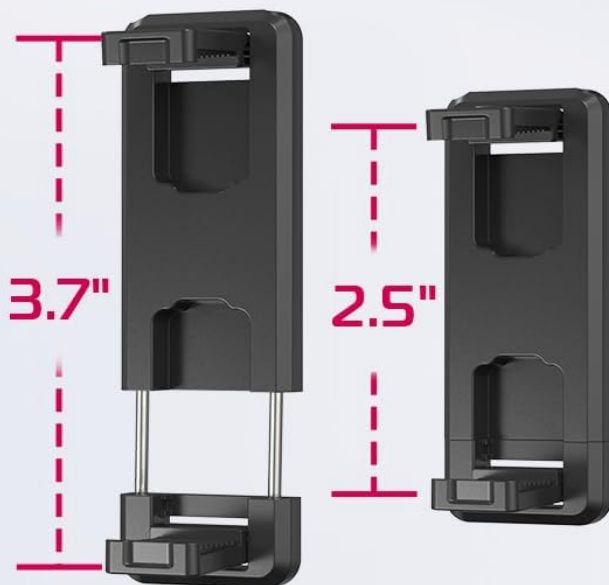


Image: Visual representation of the MA09's 3-in-1 capability, illustrating how it can be used with a camera via a 1/4" screw, a GoPro with an adapter, and a smartphone using the integrated phone mount.

UPGRADE

4 Legs, More Stable



Aluminum Tube



Anti-slip Design



Image: Detailed views of the MA09's construction, including its stable four-leg base, the durable aluminum tube for extension, and the textured anti-slip grip on the handle.

5. SETUP

5.1 Unfolding the Tripod

1. Hold the main body of the selfie stick.

2. Gently pull the bottom part downwards to release and spread the four legs of the quadrapod base. Ensure they are fully extended and stable.

5.2 Attaching Your Device

- **For Smartphones:** Expand the integrated phone clip at the top. Insert your smartphone securely into the clip, ensuring it is centered and stable. The clip supports phones from 2.5" to 3.7" (65-95 mm) wide.
- **For Cameras/Action Cameras:** If using a camera or action camera, gather the phone clip to reveal the standard 1/4" screw thread. Screw your camera onto this thread until it is firmly attached.

5.3 Pairing the Wireless Remote Shutter

1. Remove the wireless remote from its slot on the handle.
2. Press and hold the button on the remote until the indicator light flashes, indicating it's in pairing mode.
3. On your smartphone, go to Bluetooth settings and search for available devices.
4. Select "ULANZI" or a similar name from the list to pair. The indicator light will stop flashing once successfully paired.
5. The remote is Type-C USB rechargeable. Connect a Type-C cable to the charging port on the remote to charge it when the battery is low.

40FT WIRELESS REMOTE

USB-C rechargeable remote



Image: A user's hand operating the wireless remote control, demonstrating its use for capturing photos or videos from a distance with the MA09 tripod.

6. OPERATING INSTRUCTIONS

6.1 Extending the Selfie Stick/Tripod

To extend the pole, simply pull the top section upwards. The 8-section design allows for smooth extension without

needing to twist or lock at specific heights. Extend it to your desired length, up to 71 inches (1800mm).

EXTENDABLE TRIPOD

Freely adjust the height to meet your need



Image: The MA09 tripod extended to its full height, demonstrating its impressive reach for various shooting perspectives.

6.2 Adjusting Angles and Rotation

- **360° Rotation:** The device mount allows for 360° horizontal rotation, enabling panoramic shots.
- **180° Up and Down Adjustment:** The balance handle allows for 180° vertical angle adjustment, perfect for

overhead shots or low-angle perspectives.

- **Horizontal & Vertical Shooting:** Easily switch between landscape and portrait orientations by rotating your device within the mount.

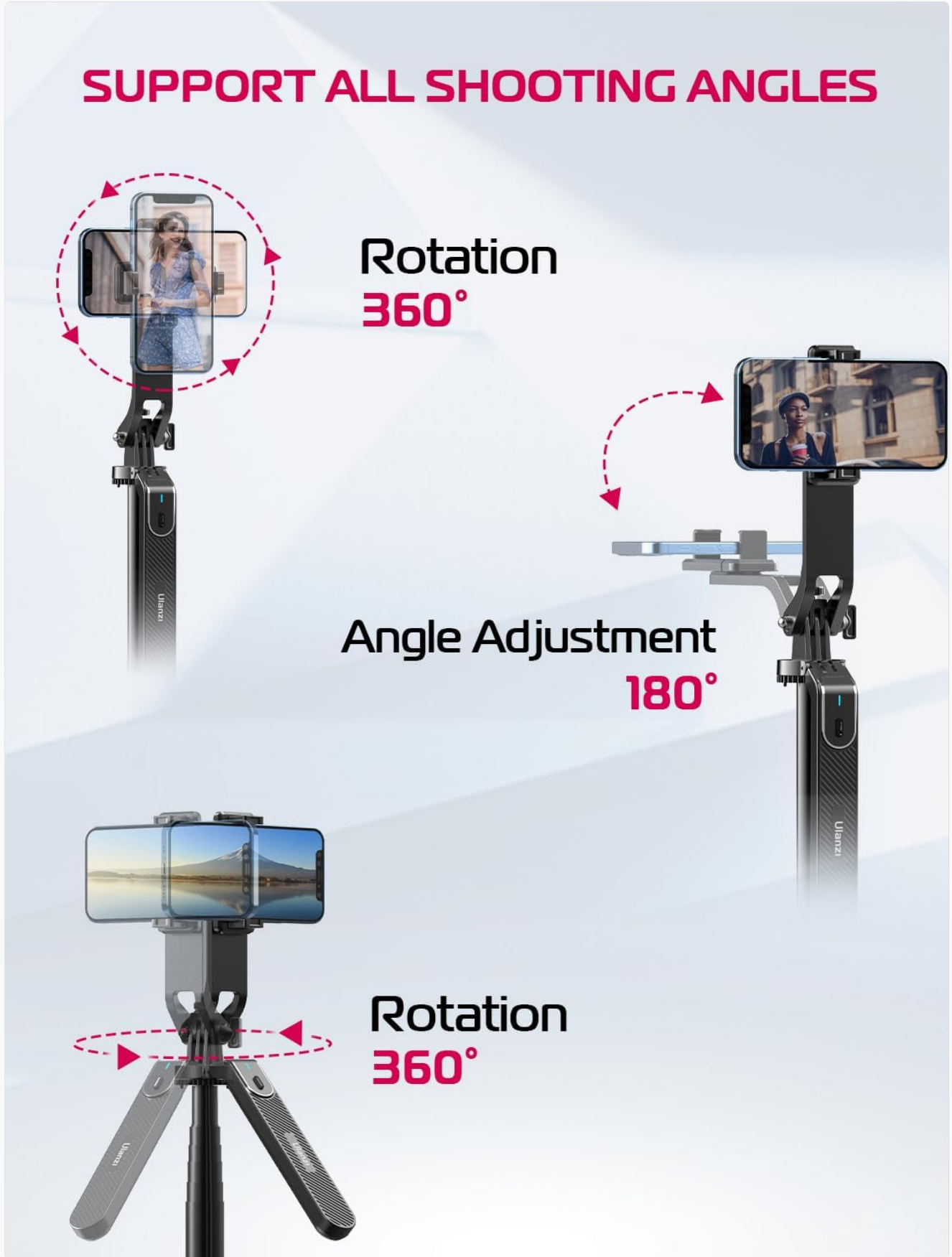


Image: Visual guide to the MA09's flexible adjustments, showing how to achieve 360° rotation for both the device and the tripod, and 180° tilt for precise framing.

6.3 Using the Remote Control

Once paired, simply press the button on the wireless remote shutter to capture photos or start/stop video recording on your connected smartphone.

6.4 Switching Between Modes

- **Selfie Stick Mode:** Collapse the tripod legs and hold the handle firmly. Extend the pole to your desired length for handheld shots.
- **Tripod Mode:** Extend the four legs of the quadrapod base fully and place the tripod on a flat, stable surface. Extend the pole to the desired height.



Image: A user demonstrating the MA09 in selfie stick mode, holding it extended to capture a personal shot.

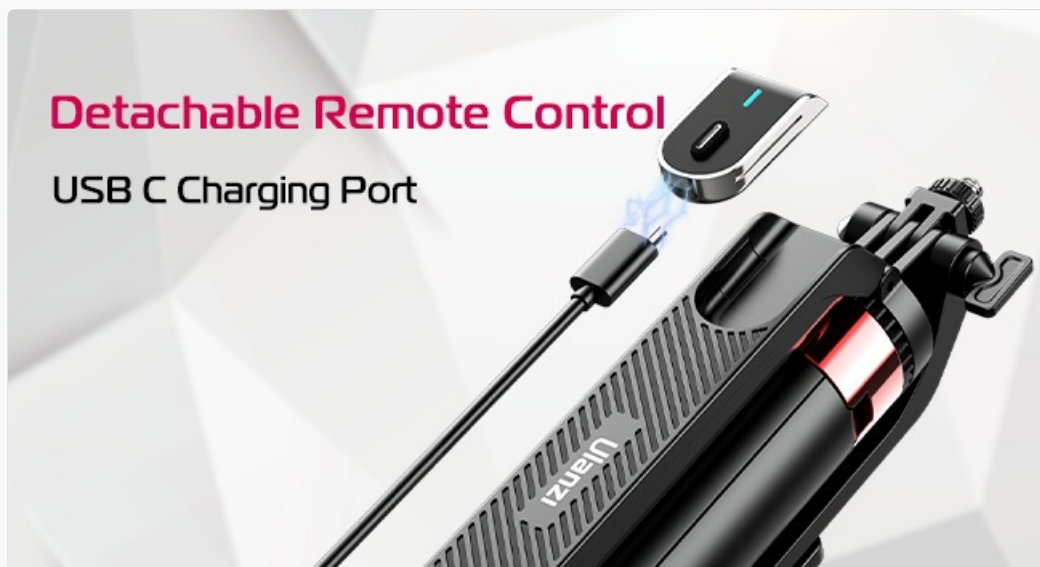


Image: The MA09 in tripod mode, positioned on a kitchen counter, showcasing its utility for hands-free recording or viewing.

7. MAINTENANCE

- **Cleaning:** Wipe the product with a soft, dry cloth. Do not use harsh chemicals or abrasive cleaners.
- **Storage:** Store the tripod in a cool, dry place away from direct sunlight and moisture.
- **Battery Care (Remote):** Charge the remote control regularly, even if not in use, to maintain battery health. Avoid fully depleting the battery for extended periods.
- **Joints:** Periodically check all joints and connections for any looseness. Do not force extension or rotation if resistance is felt.

8. TROUBLESHOOTING

Problem	Possible Cause	Solution
---------	----------------	----------

Problem	Possible Cause	Solution
Remote control not pairing.	Remote battery low; Bluetooth not enabled on phone; Remote not in pairing mode; Already paired to another device.	Charge the remote; Enable Bluetooth on your phone; Press and hold remote button to enter pairing mode; Disconnect from other devices.
Tripod unstable.	Legs not fully extended; Uneven surface; Exceeded weight limit.	Ensure legs are fully spread; Use on a flat, stable surface; Do not attach devices heavier than 150g.
Pole difficult to extend/retract.	Dirt or debris in sections; Misalignment.	Clean the pole sections; Gently adjust alignment. Do not force.

9. SPECIFICATIONS

Feature	Detail
Model Name	M013GBB1 (MA09 Red)
Product Dimensions	11.97 x 1.97 x 3.31 inches
Item Weight	1.26 pounds (572 Grams)
Maximum Height	71 Inches (1800mm)
Minimum Height	18 Inches (460mm)
Weight Limit	150 Grams
Material	Acrylonitrile Butadiene Styrene (ABS)
Compatible Devices	Cell Phones (2.5"-3.7" wide), Cameras, GoPro, DSLR Camera (Nikon Canon G7 Fujifilm Sony RX Panasonic Nikon D610), iPhone (16/15/14/13/12/11/X series), Samsung, Huawei
Remote Control Battery	1 Lithium Ion battery (included)
Remote Control Range	Up to 40ft/12m
Tripod Head Type	Pan Heads

10. WARRANTY AND SUPPORT

ULANZI products are manufactured to high quality standards. For warranty information, technical support, or any inquiries regarding your ULANZI MA09, please refer to the official ULANZI website or contact their customer service directly. Keep your purchase receipt as proof of purchase for warranty claims.

You can visit the ULANZI Store on Amazon for more information:[ULANZI Official Store](#)