



Manuals.plus /

- › DELAVIN /
- › DELAVIN 60"W x 72"H Matte Black Semi-Frameless Sliding Shower Door Instruction Manual

## DELAVIN 60"W x 72"H Matte Black

# DELAVIN 60"W x 72"H Matte Black Semi-Frameless Sliding Shower Door

Instruction Manual

---

## 1. PRODUCT OVERVIEW

---

Thank you for choosing the DELAVIN Semi-Frameless Sliding Shower Door. This manual provides essential information for the safe and efficient installation, operation, and maintenance of your new shower door. Please read this manual thoroughly before beginning installation or use, and retain it for future reference.

This shower door features a modern design with clear tempered glass and a robust matte black aluminum alloy frame, designed for smooth and quiet operation. It includes an easy roller system and integrated water sealing strips for excellent waterproof performance.



Figure 1.1: DELAVIN Semi-Frameless Sliding Shower Door (Matte Black)

## 2. SAFETY INFORMATION

**WARNING:** Improper installation or use can lead to serious injury or product damage. Always follow all instructions carefully.

- Always wear appropriate personal protective equipment (PPE), including safety glasses and gloves, during installation.
- Handle glass panels with extreme care. Tempered glass, while strong, can shatter if struck at the edges or corners.
- Ensure the installation surface (walls, floor) is structurally sound and capable of supporting the weight of the shower door.
- Verify all measurements before cutting or drilling.
- Do not overtighten screws, as this can damage components or glass.
- Keep children and pets away from the installation area.
- If you are unsure about any step, consult a qualified professional.



## Ours Ultra Clear Glass

Premium ultra white tempered glass, bring you clear and transparent visual enjoyment.



**1/4" Tempered Glass**

Our tempered glass is all covered with explosion-proof film. Even if it breaks accidentally, it won't scatter all over the ground and cause injury.



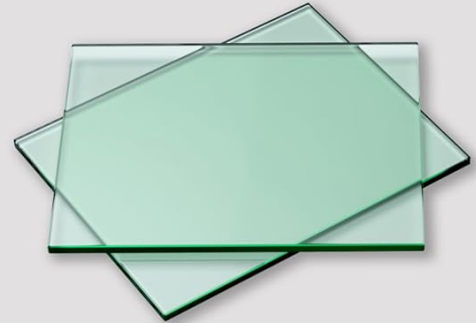
**Screen Protector**



**ANSI Certified**

## Others Common Glass

Other common glasses have impurities and are less transparent.



Not applying explosion-proof film can easily cause injury.



Figure 2.1: Tempered Glass with Explosion-Proof Film

The shower door glass is 1/4" (6mm) ANSI certified tempered glass with an explosion-proof film, designed to increase strength and prevent splinters from scattering if breakage occurs.

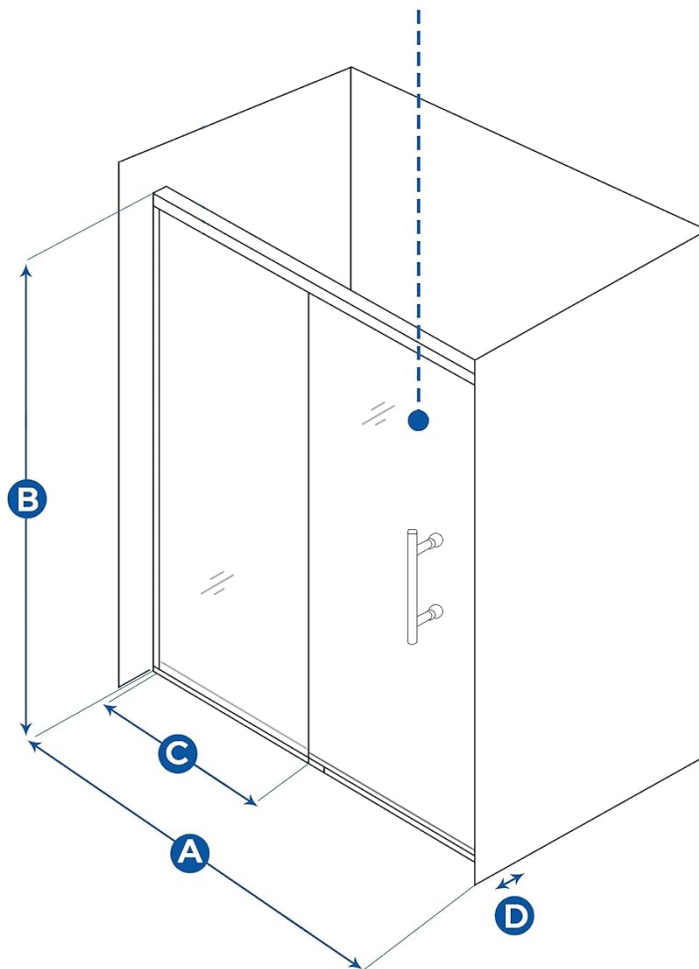
### 3. COMPONENTS LIST

Before beginning installation, ensure all parts are present and undamaged. Refer to the packing list provided with your product for a complete inventory. Key components include:

- Tempered Glass Panels (Fixed and Sliding)
- Aluminum Alloy Frame Components (Top Track, Bottom Track, Wall Profiles)
- Roller System (Rollers, Guides)
- Door Handles
- Water Seal Strips
- Mounting Hardware (Screws, Anchors, Gaskets)
- Installation Manual (this document)

# OVERALL DIMENSIONS

Reversible for a right or left wall installation



## DELAVIN-B895

60 in.W x 72 in. H  
Sliding Shower Door

**A: 60 in**  
OVERALL WIDTH

**B: 72 in**  
OVERALL HEIGHT

**C: 28 in**  
WALK-IN WIDTH

**D: 31 in**  
SINGLE DOOR WIDTH

**E: 1/4 in (6mm)**  
GLASS THICKNESS

Figure 3.1: Overall Dimensions

## 4. SETUP AND INSTALLATION

**Tools Required:** Measuring tape, level, drill, screwdriver, caulk gun, silicone sealant, pencil, utility knife.

**Pre-Installation Check:** Ensure your shower opening is within the specified dimensions (60"W x 72"H). The door is reversible for left or right-hand opening.



Figure 4.1: Installed Shower Door

### Installation Steps:

- 1. Prepare the Opening:** Clean the shower base and wall surfaces. Ensure they are plumb and level.

2. **Install Wall Profiles:** Position the wall profiles on the shower walls, ensuring they are plumb. Mark and drill holes, then secure the profiles with appropriate fasteners.
3. **Install Top and Bottom Tracks:** Attach the top track to the wall profiles and the bottom track to the shower base, ensuring they are level and aligned.
4. **Install Fixed Glass Panel:** Carefully insert the fixed glass panel into its designated channels in the wall profile and tracks. Secure it according to the detailed instructions in the included installation guide.
5. **Install Sliding Glass Panel:** Attach the rollers to the top of the sliding glass panel. Carefully lift and hang the sliding panel onto the top track, then guide its bottom edge into the bottom track.
6. **Install Handles and Water Seal Strips:** Attach the door handles to the sliding glass panel. Install the water seal strips along the edges of the glass panels and tracks to ensure a watertight seal.
7. **Adjust and Test:** Adjust the rollers to ensure smooth and quiet sliding operation. Test the door for proper alignment and water tightness.
8. **Apply Sealant:** Apply a bead of silicone sealant along the exterior joints of the frame and where the frame meets the wall and shower base to prevent leaks. Allow adequate drying time before use.



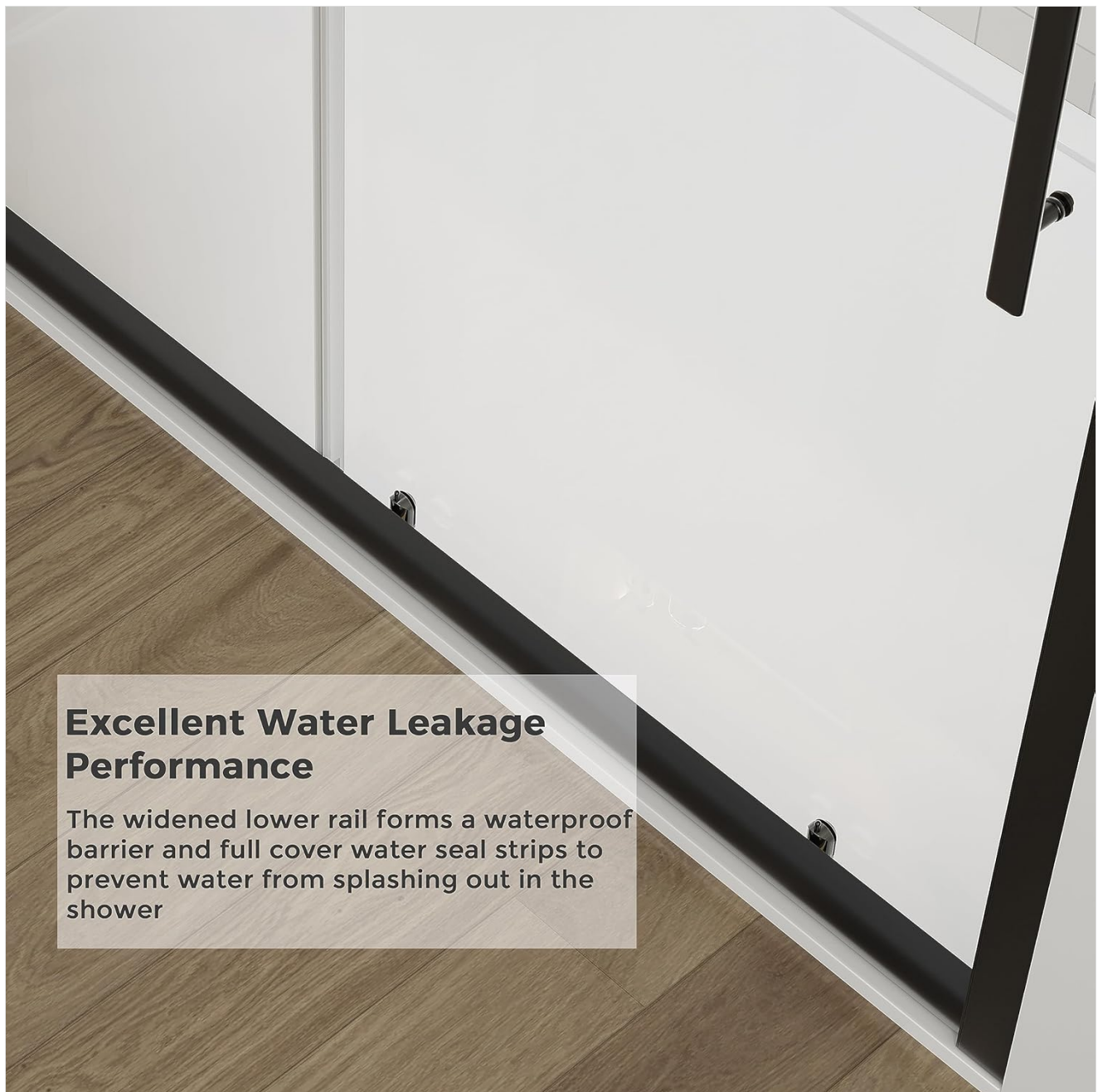
Figure 4.2: Smooth and Quiet Sliding System



## **Stylish Stainless Steel Gold Handle**

Made of high-quality stainless steel with excellent endurance and corrosion resistance, it can maintain its appearance and functionality for a long time.

Figure 4.3: Stylish Handle



## Excellent Water Leakage Performance

The widened lower rail forms a waterproof barrier and full cover water seal strips to prevent water from splashing out in the shower

Figure 4.4: Water Leakage Performance

## 5. OPERATING INSTRUCTIONS

The DELAVIN Sliding Shower Door is designed for ease of use. To open or close the door, gently grasp the handle and slide the door along the top and bottom tracks. The roller system ensures smooth and quiet movement.

- Always slide the door smoothly; avoid forcing it.
- Ensure the door is fully closed before showering to prevent water leakage.

## 6. MAINTENANCE

Regular cleaning and maintenance will prolong the life and appearance of your shower door.

### Cleaning:

- **Glass:** Clean glass panels regularly with a soft cloth and a non-abrasive glass cleaner. For stubborn water spots, a solution of white vinegar and water can be effective. Rinse thoroughly with clean water after cleaning.
- **Frame:** Wipe the aluminum frame with a soft, damp cloth. Avoid abrasive cleaners or harsh chemicals that

could damage the matte black finish.

- **Tracks and Rollers:** Periodically clean the top and bottom tracks to remove soap scum, hair, and debris that can impede smooth operation. Use a small brush or vacuum to clear the tracks. Check rollers for any buildup and clean as necessary.

### General Care:

- Inspect water seal strips periodically for wear or damage. Replace if necessary to maintain watertight performance.
- Do not hang heavy objects on the door or handles.
- Avoid direct impact to the glass, especially at the edges.

## 7. TROUBLESHOOTING

Problem	Possible Cause	Solution
Door does not slide smoothly	Debris in tracks; misaligned rollers; damaged rollers	Clean tracks thoroughly. Adjust roller alignment. Inspect and replace damaged rollers if needed.
Water leakage from door	Improperly installed or damaged water seal strips; insufficient sealant; door not fully closed	Ensure door is fully closed. Check and adjust water seal strips. Reapply silicone sealant where necessary.
Door is difficult to open/close	Tracks are dirty or obstructed; rollers need lubrication	Clean tracks. Apply a silicone-based lubricant to rollers and tracks (avoid oil-based lubricants).

## 8. SPECIFICATIONS

Attribute	Detail
Brand	DELAVIN
Model	60"W x 72"H Matte Black
Dimensions (Overall)	60 inches (Width) x 72 inches (Height)
Material	Tempered Glass, Aluminum Alloy
Glass Thickness	1/4 inch (6mm)
Glass Type	Clear Tempered Glass with Explosion-Proof Film
Frame Finish	Matte Black
Door Type	Semi-Frameless Sliding
Installation	Reversible (Left or Right Opening)
Item Weight	Approximately 103.8 Pounds

## 9. WARRANTY AND SUPPORT

DELAVIN is committed to providing high-quality products. For information regarding warranty coverage, please refer to the warranty card included with your product packaging or visit the official DELAVIN website. If you encounter any issues or require assistance with installation or parts replacement, please contact DELAVIN customer support.

**Customer Support:**

- For the most up-to-date contact information, please visit the DELAVIN Brand Store on Amazon.
- Please have your model number (60"W x 72"H Matte Black) and purchase date ready when contacting support.