

[Manuals.plus](#) /

> [EcoChannels](#) /

> EcoChannels Undermount Kitchen Sink 15 x 17 x 10 Inch, Gunmetal Black Stainless Steel Instruction Manual

EcoChannels ECU

EcoChannels Undermount Kitchen Sink Instruction Manual

Brand: EcoChannels

Model: ECU (15" x 17" x 10" Gunmetal Black)

INTRODUCTION

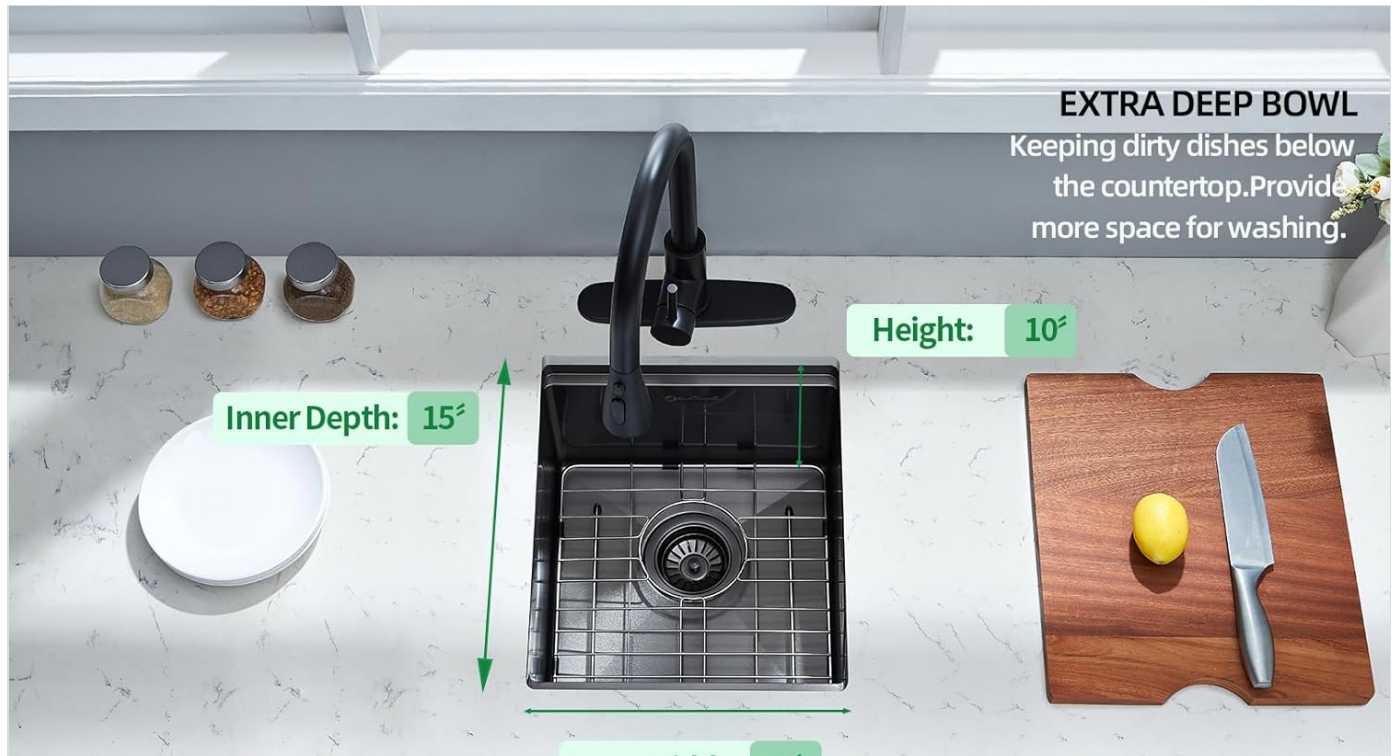
Thank you for choosing the EcoChannels Undermount Kitchen Sink. This manual provides detailed instructions for the proper installation, operation, and maintenance of your new sink. Please read this manual thoroughly before beginning installation or use to ensure optimal performance and longevity of your product. Keep this manual for future reference.

WHAT'S INCLUDED

Your EcoChannels Undermount Kitchen Sink package includes the following components:

- Kitchen Sink (15" x 17" x 10" Gunmetal Black Stainless Steel)
- Heavy-duty Cutting Board
- Bottom Rinse Grid
- Sink Drain Strainer
- Cutout Template
- Mounting Hardware
- Installation Guide (this manual)

EXTRA DEEP BOWL
 Keeping dirty dishes below the countertop. Provide more space for washing.



Dimensions **MIN CABINET SIZE: 18"**

Outer: (W) 15" x (D) 17" x (H) 10"
 Inner: (W) 13" x (D) 15" x (H) 10"
 Bowl Height: 10"

Thickness: 16 Gauge bowl

Installation: Undermount

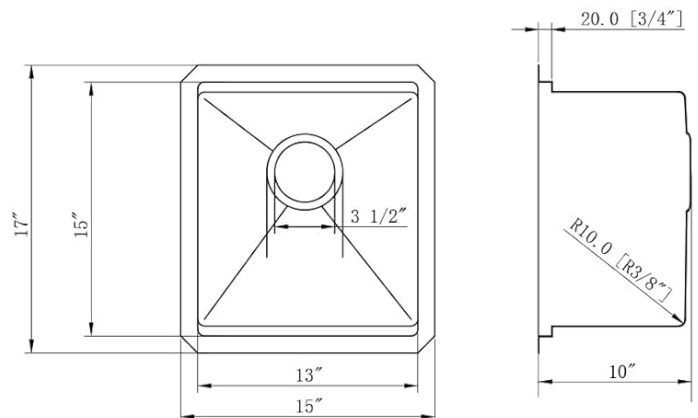


Image: The EcoChannels Undermount Kitchen Sink shown with its included accessories: a solid wood cutting board, a stainless steel bottom rinse grid, and a basket strainer.

SPECIFICATIONS

Brand	EcoChannels
Model Number	ECU
Color	Gunmetal Black
Material	Stainless Steel (16 Gauge T-304 Grade)
Product Dimensions (D x W x H)	17" x 15" x 10"
Installation Type	Undermount
Drain Type	Grid
Hole Count	1

Finish Type	PVD Gunmetal with Nano Clear Coating
Corner Radius	R10 mm
Weight	12.46 Pounds



Image: Detailed dimensions and a technical drawing of the EcoChannels Undermount Kitchen Sink, illustrating outer (15"W x 17"D x 10"H), inner (13"W x 15"D x 10"H) measurements, and 16 gauge thickness.

SETUP AND INSTALLATION

Proper installation is crucial for the functionality and longevity of your undermount sink. Please follow these steps carefully. It is recommended to have a professional plumber or installer perform the installation.

- 1. Prepare the Countertop:** Ensure your countertop is clean and dry. Turn the countertop upside down to access the underside for sink placement.

2. **Position the Sink:** Place the sink upside down on the countertop in the desired location. Use the provided cutout template to mark the exact position for the sink opening.
3. **Mark and Drill Holes for Mounting Clips:**
 - Draw a line along the edge of the sink.
 - Draw a second line 1/2 inch from the first line.
 - Using an electric drill, drill holes of 3/8 inch diameter and 1/2 inch deep along the second line at the designated fixing points (8 points around the sink).
 - Insert the anchors into the drilled holes and lightly tap with a hammer until flush with the countertop surface.
4. **Attach Mounting Clips:** Place the mounting clips in the correct direction and fasten them with screws into the anchors. Ensure the clips are securely tightened to hold the sink firmly against the countertop.
5. **Apply Sealant:** Apply a continuous bead of silicone sealant around the rim of the sink where it will meet the countertop.
6. **Secure the Sink:** Carefully lift and align the sink with the cutout, pressing it firmly into the sealant. Use the mounting clips to secure the sink to the countertop. Allow the sealant to cure completely as per manufacturer's instructions.
7. **Install Plumbing Fixtures:** Connect the drain to the sink and install the faucet according to their respective manufacturer's instructions. Ensure all connections are watertight.
8. **Test for Leaks:** Run water into the sink and check for any leaks around the drain and faucet connections.

Your browser does not support the video tag.

Video: This official EcoChannels video demonstrates the installation method for the mounting clips of an undermount sink. It shows how to mark the countertop, drill holes, insert anchors, and secure the clips.

HEAVY DUTY STAINLESS STEEL

Durability performance & Aesthetics

1L.Stainless steel/2L.PVD titanium alloy/3L.Nano Clear Coating

304
stainless steel



Nano-PVD Technical

Hydrophobic effect of lotus leaf



Hademaded sink

thick and durable to use.



R10 Corner

Easy to clean and efficient drainage.

Double
Corner: **R10**



Image: A close-up of the single-tier track, an integrated ledge designed for sliding accessories like the cutting board over the sink.

OPERATING INSTRUCTIONS

Your EcoChannels Undermount Kitchen Sink is designed for daily kitchen tasks. Its workstation features enhance usability.

- **Workstation Functionality:** Utilize the integrated single-tier track to slide the cutting board or other compatible accessories across the sink, creating an efficient workspace.
- **Drain Strainer:** The included sink drain strainer helps prevent food particles and debris from entering your plumbing system. Empty it regularly to maintain proper drainage.
- **Bottom Rinse Grid:** Place the bottom rinse grid in the sink to protect the sink's surface from scratches and allow water to drain freely from dishes.
- **Efficient Drainage:** The sloped sink bottom with X-shaped drain grooves is designed for quick water drainage, preventing water from pooling.

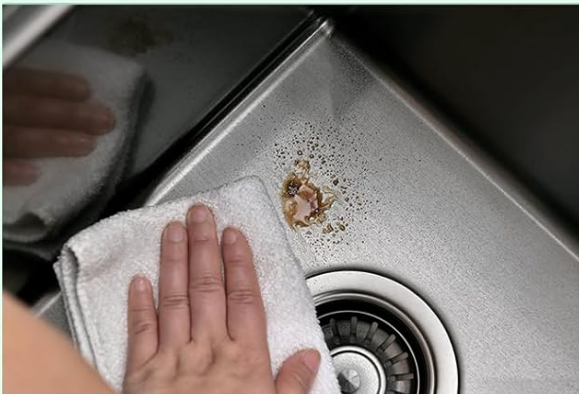


X Drainage Groove

Rear drain gently sloped bottom and X Groove to avoid water retention in sink.

R10 Radius Corner

Elegant and smooth 10mm radius curved corners for easy cleaning.



EASY MAINTENANCE

The abrasion resistant brushed satin finish surface is easy to clean and resist stains, corrosion, Long-lasting performance.

Image: The EcoChannels Undermount Kitchen Sink with the cutting board partially covering the sink, illustrating its workstation capability.

MAINTENANCE

Regular maintenance will keep your EcoChannels sink looking new and performing efficiently.

- **Daily Cleaning:** Use a soft towel or sponge with warm water and a mild dish soap to wipe the sink after each use. Rinse thoroughly and dry to prevent water spots.
- **Avoid Harsh Chemicals:** Do not use abrasive cleaners, steel wool, or harsh chemicals (e.g., bleach, ammonia-based cleaners) as these can damage the gunmetal black finish and nano-PVD coating.
- **Prevent Scratches:** While the sink is scratch-resistant, avoid dragging sharp or heavy objects across the surface. The bottom rinse grid helps protect the base.
- **Cutting Board Care:** The heavy-duty cutting board should be hand-washed with mild soap and water, then dried immediately. Do not soak or put in a dishwasher. Periodically oil the wood to maintain its condition.
- **Anti-Condensation:** The anti-condensation undercoating and thick rubber padding minimize condensation and noise. Ensure proper ventilation under the sink cabinet.

Innovative Design : Durable & Quiet



3.5 inch diameter
drain hole

**Non-toxic and odorless anti-
condensation coating**

prevents condensation
effectively.

Rubber mute pads

can effectively reduce
noise in daily use.



16gauge bowl for good
Undermount, More durable.

Image: A hand cleaning the smooth R10 radius corner of the sink, highlighting its easy-to-clean design.

TROUBLESHOOTING

If you encounter any issues with your EcoChannels sink, refer to the following common solutions:

- **Water Spots/Fingerprints:** The nano-PVD coating is designed to reduce water spots. If they occur, wipe the sink dry immediately after use with a soft cloth. For stubborn spots, use a 50/50 solution of white vinegar and water, then rinse and dry.
- **Slow Drainage:** Check the drain strainer for accumulated food particles or debris. Ensure the plumbing connections are not obstructed.
- **Condensation Under Sink:** The sink features an anti-condensation coating. If condensation still occurs, ensure adequate ventilation in the cabinet below the sink.
- **Scratches:** While the sink is designed to be scratch-resistant, deep scratches can occur from sharp objects. Minor scratches may be less noticeable over time with regular cleaning. Avoid abrasive materials.

WARRANTY

The EcoChannels Undermount Kitchen Sink comes with a **Limited Lifetime Warranty**. This warranty covers manufacturing defects in material and workmanship under normal use and service. Please retain your proof of purchase for warranty claims. For full details and terms, refer to the warranty section in the included product manual or contact EcoChannels customer support.

CUSTOMER SUPPORT

For further assistance, technical support, or to inquire about replacement parts, please contact EcoChannels customer service. You can find contact information on our official website or through your purchase platform.

Online Resources: Visit the [EcoChannels Store on Amazon](#) for product information and updates.

