

Manuals+

[Q & A](#) | [Deep Search](#) | [Upload](#)

[manuals.plus](#) /

> [Fruyyzl](#) /

> [Fruyyzl 3 Step Ladder Instruction Manual](#)

Fruyyzl RV STEPS-0001

Fruyyzl 3 Step Ladder with Handrail Instruction Manual

Model: RV STEPS-0001

1. INTRODUCTION

Thank you for choosing the Fruyyzl 3 Step Ladder with Handrail. This product is designed to provide a stable and secure stepping solution for various applications, including RVs, hot tubs, mobile homes, and general indoor/outdoor use. Its robust cast iron construction, anti-slip steps, and integrated handrail ensure safety and durability. Please read this manual thoroughly before assembly and use to ensure proper operation and longevity of your product.



Image: The Fruyyzl 3 Step Ladder, showcasing its three anti-slip steps and sturdy handrail, designed for stability and ease of use.

2. SAFETY INFORMATION

Your safety is paramount. Adhere to the following guidelines to prevent injury or damage to the product:

- **Maximum Load Capacity:** Do not exceed the maximum load capacity of **199.58 kg (440 lbs)**. Overloading can lead to structural failure and injury.
- **Stable Surface:** Always place the ladder on a firm, level, and non-slip surface. Uneven ground can cause instability.
- **Secure Assembly:** Ensure all bolts, screws, and connections are fully tightened before each use. Regularly check for loose fasteners.
- **Keep Steps Clear:** Keep the steps free from water, oil, mud, or any other slippery substances. The anti-slip surface is most effective when clean and dry.
- **Use Handrail:** Always use the handrail for added stability when ascending or descending the steps.
- **Children and Pets:** Keep children and pets away from the ladder unless supervised by an adult.
- **Inspection:** Before each use, inspect the ladder for any signs of damage, wear, or corrosion. Do not use if damaged.



Image: The 3-step ladder positioned next to an RV, illustrating its large load-bearing capacity. A graphic inset shows a weight labeled '660 LBS', indicating the product's robust design.

3. PACKAGE CONTENTS

Please verify that all components are present before beginning assembly. If any parts are missing or

damaged, contact customer support.

- Main Step Panels (3)
- Support Frame Components
- Handrail (1)
- Assembly Hardware (Bolts, Nuts, Washers, Wrench)
- Instruction Manual

4. ASSEMBLY AND SETUP

Assembly requires basic tools (included) and can be completed by following these steps. It is recommended to have two people for easier assembly.

1. **Unpack Components:** Carefully remove all parts from the packaging and lay them out on a clean, flat surface. Verify all components listed in Section 3 are present.
2. **Assemble Step Panels to Frame:** Begin by attaching the main step panels to the support frame components. Ensure the anti-slip surfaces are facing upwards. Loosely fasten bolts initially.
3. **Attach Handrail:** Once the main step structure is stable, attach the handrail to the designated mounting points on the frame. Ensure the handrail is oriented correctly for comfortable gripping.
4. **Tighten All Fasteners:** Once all components are in place, systematically tighten every screw and bolt using the provided wrench. Ensure all connections are secure and the structure is rigid. Do not overtighten, but ensure there is no wobble.
5. **Final Check:** Before first use, gently shake the assembled ladder to confirm stability. Re-tighten any loose connections if necessary.



Image: A close-up view highlighting the safety steel handrail of the 3-step ladder, showing its curved design for comfortable grip and secure attachment points.

5. OPERATION

The Fruyyzl 3 Step Ladder is designed for straightforward and safe operation across various environments.

- **Placement:** Position the ladder on a stable, flat surface where access is needed. Ensure the base is fully supported and does not rock.
- **Ascending/Descending:** Always face the steps when ascending or descending. Use the handrail for support and balance. Place your feet firmly on the center of each step.
- **Anti-slip Design:** The steps feature a textured, anti-slip surface to enhance grip and reduce the risk of slipping, even in damp conditions.
- **Versatile Use:** This ladder is suitable for a wide range of applications, including providing easy access to RVs, hot tubs, elevated porches, or as a general utility step stool for individuals needing assistance with balance or mobility.



Image: The 3-step ladder positioned securely beside a large RV, demonstrating its utility for easy entry and exit from recreational vehicles.

SUITABLE FOR DIFFERENT OCCASIONS



Image: A collage showing the 3-step ladder in diverse settings, including next to an RV, a hot tub, and a mobile home, highlighting its multi-purpose functionality.

6. MAINTENANCE

Regular maintenance will extend the life of your Fruyyzl 3 Step Ladder.

- **Cleaning:** Wipe down the steps and frame with a damp cloth and mild detergent as needed. Avoid abrasive cleaners that could damage the finish. Dry thoroughly after cleaning.
- **Inspection:** Periodically inspect all welded joints, bolts, and the handrail for any signs of wear, damage, or rust. Address any issues promptly.
- **Lubrication:** If any moving parts (though minimal on this product) become stiff, a light application of lubricant can be used.
- **Storage:** Store the ladder in a dry, sheltered area when not in use to protect it from harsh weather conditions and prolong its lifespan.

7. TROUBLESHOOTING

If you encounter issues with your Fruyyzl 3 Step Ladder, refer to the following common problems and solutions:

- **Difficulty Aligning Holes During Assembly:**

Solution: Ensure all components are oriented correctly as per the assembly instructions. Do not fully tighten any bolts until all parts are loosely assembled. This allows for minor adjustments. If a hole is significantly misaligned, double-check the part's position or contact customer support.

- **Ladder Feels Unstable After Assembly:**

Solution: Re-check that all bolts and screws are fully tightened. Ensure the ladder is placed on a completely flat and stable surface. If the issue persists, inspect for any bent or damaged components.

- **Steps Bowing Under Weight:**

Solution: Immediately cease use. Verify that the weight on the ladder does not exceed the stated maximum load capacity of 199.58 kg (440 lbs). If the ladder is used within its capacity and still bows, there may be a manufacturing defect. Contact customer support.

- **Rust or Corrosion Appears:**

Solution: While the ladder has a powder-coated surface for protection, prolonged exposure to moisture can lead to rust. Clean affected areas, remove rust with a wire brush if minor, and apply a rust-inhibiting paint. Store in a dry environment.

8. SPECIFICATIONS

Detailed specifications for the Fruyyzl 3 Step Ladder:

Attribute	Value
Brand	Fruyyzl
Model Number	RV STEPS-0001
Color	Black
Material	Cast Iron
Product Dimensions (L x W x H)	86.36 x 12.67 x 140.79 cm (33.9 x 5 x 55.4 inches)
Item Weight	15.8 kg (34.8 lbs)
Load Capacity	199.58 kg (440 lbs)
Special Features	Anti Slip, Handrail
Maximum Height	34 Inches

RV STEP SIZE

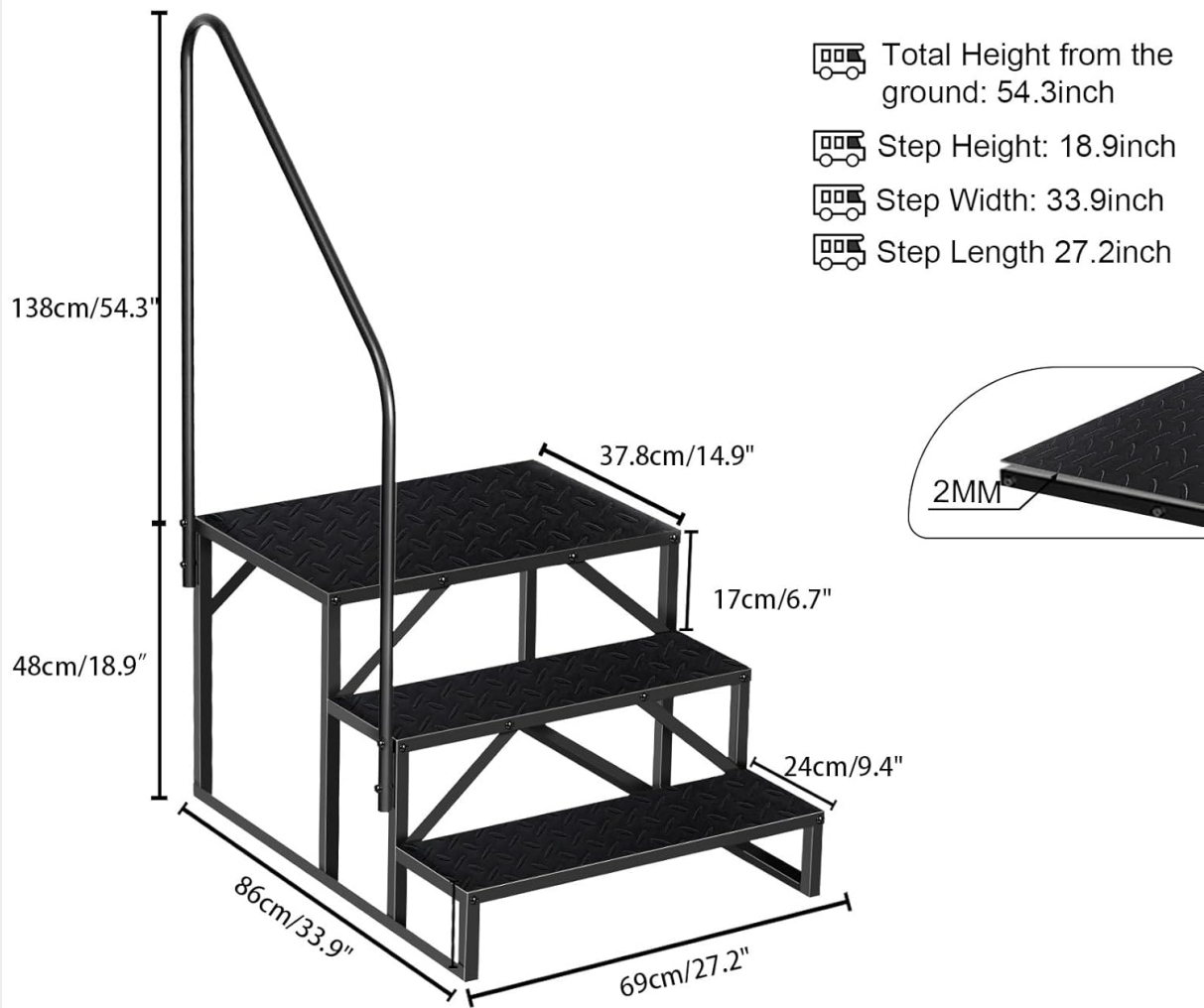


Image: A detailed diagram illustrating the dimensions of the RV step, including total height (54.3 inches), step height (18.9 inches), step width (33.9 inches), and step length (27.2 inches), along with metric equivalents.

9. WARRANTY AND SUPPORT

For information regarding warranty coverage, returns, or technical support, please refer to the purchase documentation or contact the retailer/manufacturer directly. Keep your proof of purchase for any warranty claims.