



Manuals.plus /

› **vidaXL** /

› vidaXL Folding Patio Chairs (2 Pcs) Instruction Manual

## vidaXL Folding Patio Chairs (2 Pcs)

# vidaXL Folding Patio Chairs (2 Pcs) Instruction Manual

Model: vidaXL Folding Patio Chairs (2 Pcs)

## INTRODUCTION

---

This manual provides essential information for the assembly, operation, and maintenance of your vidaXL Folding Patio Chairs. Please read these instructions carefully before use to ensure safe and proper handling of the product.



Image: Two vidaXL folding patio chairs and a table in an outdoor setting, showcasing the product in use.

The vidaXL Folding Patio Chairs are designed for outdoor use, offering a comfortable and space-saving seating solution. Constructed from solid teak wood, these chairs are known for their durability and natural resistance to outdoor elements.

**California Proposition 65 Warning: This product may contain chemicals known to the State of California to cause cancer and birth defects or other reproductive harm. For more information, visit [www.P65Warnings.ca.gov](http://www.P65Warnings.ca.gov).**

## PACKAGE CONTENTS

Verify that all components are present before beginning assembly. The package should contain:

- 2 x vidaXL Folding Garden Chairs
- Assembly hardware (if applicable, though chairs are typically pre-assembled for folding functionality)

*Note: These chairs are designed to be foldable and typically arrive fully assembled, requiring only unfolding for use. If any assembly hardware is included, refer to specific diagrams not provided in this general manual.*

## SETUP AND UNFOLDING

---

The vidaXL Folding Patio Chairs are designed for easy setup. Follow these steps to unfold and prepare your chairs for use:

1. **Positioning:** Place the folded chair on a flat, stable surface.
2. **Unfolding the Legs:** Gently pull the front and back legs apart until the chair frame extends. Ensure the locking mechanisms (if present) engage securely.
3. **Lowering the Seat:** Carefully lower the seat into its horizontal position. Ensure it rests firmly on the support bars.
4. **Checking Stability:** Before sitting, gently press down on the seat and rock the chair slightly to confirm it is stable and all parts are securely in place.



Image: A vidaXL folding patio chair shown in its compact, folded position for storage.

To fold the chair for storage, reverse these steps: lift the seat, then bring the front and back legs together until the chair is compact.

## OPERATING AND USAGE

These chairs are intended for outdoor seating. Observe the following guidelines for safe and optimal use:

- **Weight Capacity:** Each chair has a maximum load capacity of **242.5 lb (110 kg)**. Do not exceed this limit to prevent damage or injury.

- **Placement:** Always place the chairs on a flat, level, and stable surface to prevent tipping.
- **Supervision:** Children should be supervised when using the chairs.
- **Movement:** Do not attempt to move the chair while occupied.
- **Folding/Unfolding:** Exercise caution when folding or unfolding to avoid pinching fingers.



Image: A vidaXL folding patio chair, showcasing its design and armrests, ready for use.

## MAINTENANCE

Proper care will extend the life and preserve the appearance of your teak wood chairs.

- **Cleaning:** Clean the chairs regularly with a soft cloth and mild soapy water. Avoid harsh chemicals or abrasive cleaners, which can damage the wood finish.

- **Drying:** After cleaning, wipe the chairs dry to prevent water spots and mildew.
- **Protection:** To maintain the beauty of the teak wood and protect it from weathering, it is recommended to cover the chairs with a waterproof cover when not in use, especially during adverse weather conditions or prolonged periods outdoors.
- **Teak Wood Care:** Teak wood naturally weathers to a silvery-grey patina over time. If you prefer to maintain the original warm brown color, periodic application of teak oil is recommended. Follow the instructions of the specific teak oil product.
- **Storage:** When not in use for extended periods, store the folded chairs in a dry, sheltered area to protect them from extreme temperatures and moisture.



Image: A close-up view of the slatted teak wood seat, highlighting the natural grain and finish of the material.

## TROUBLESHOOTING

This section addresses common issues you might encounter with your folding patio chairs.

- **Chair feels wobbly:**

Ensure the chair is fully unfolded and all support mechanisms are engaged. Check that the chair is placed on a flat, even surface. If the issue persists, inspect for loose hardware and tighten if necessary (though these chairs are typically pre-assembled, check for any factory-tightened bolts).

- **Wood appears faded or discolored:**

Teak wood naturally weathers to a silvery-grey patina when exposed to the elements. This is a natural process and does not affect the structural integrity of the wood. If you prefer to restore the original color, specialized teak cleaners and oils can be used. Refer to the maintenance section for more details.

- **Difficulty folding/unfolding:**

Ensure there are no obstructions in the folding mechanism. Lightly lubricate hinges with a silicone-based spray if movement is stiff. Avoid using oil-based lubricants that can stain the wood.

## SPECIFICATIONS

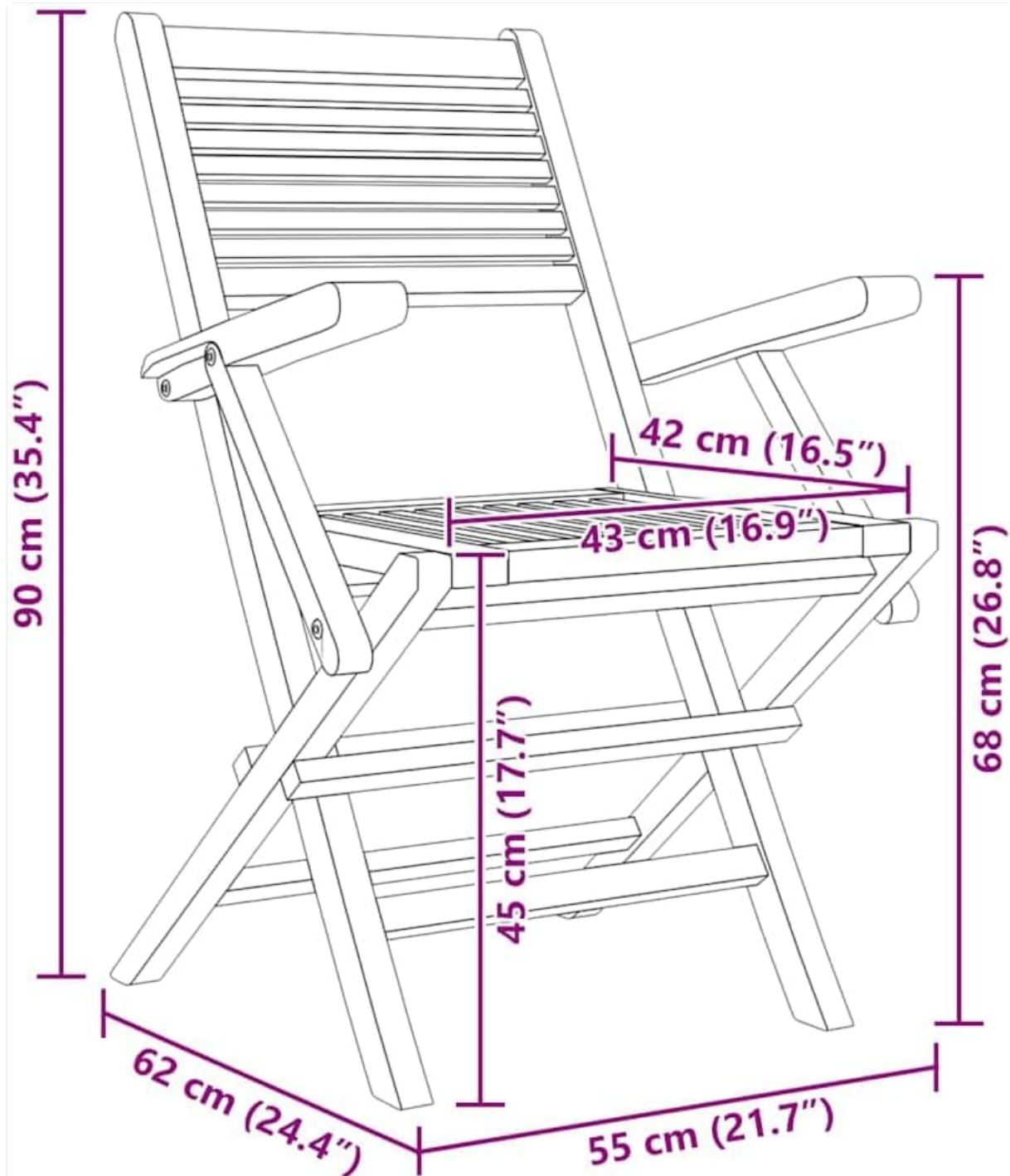


Image: Detailed diagram illustrating the dimensions of the chair, including height, width, depth, seat height, and armrest height.

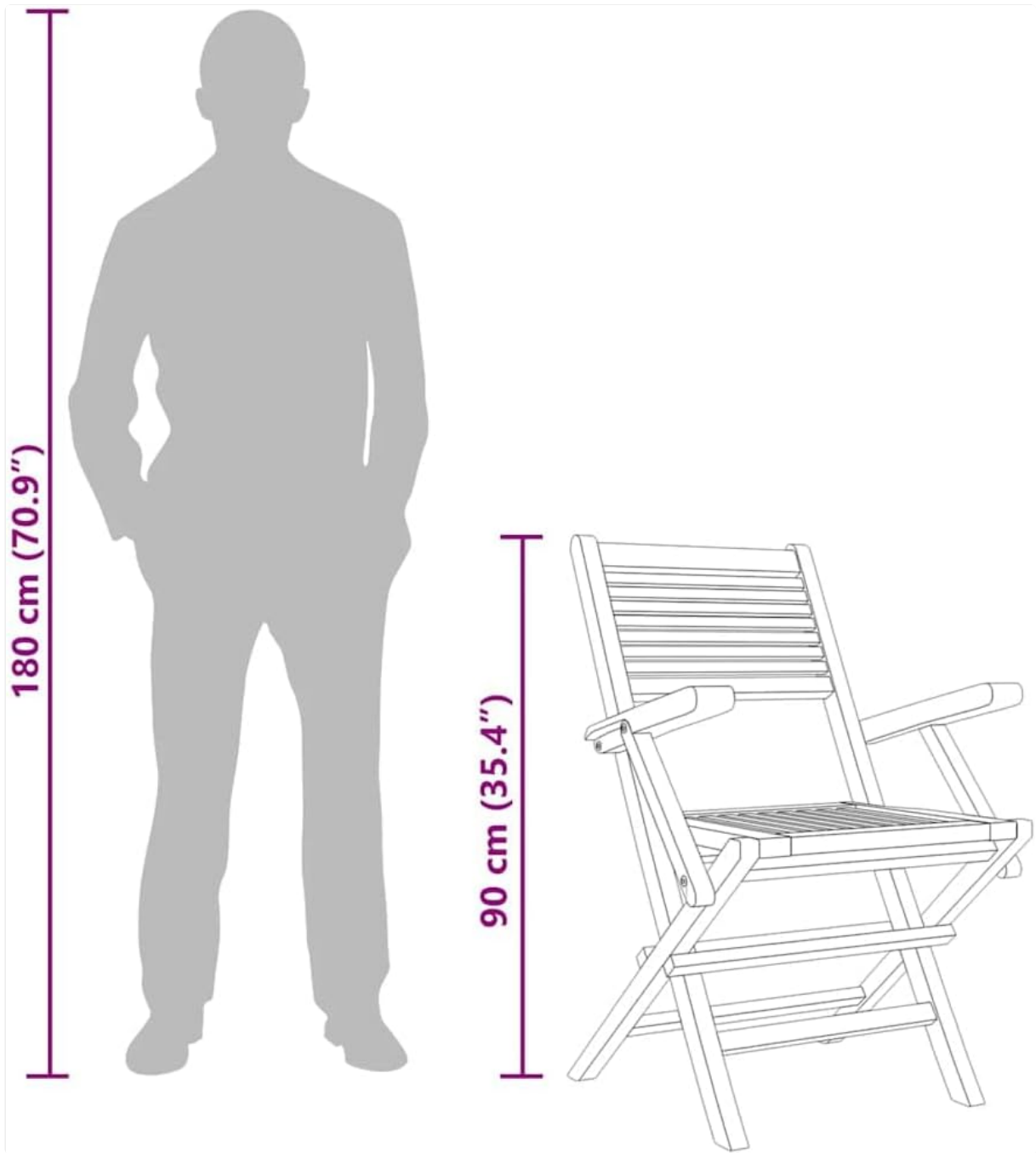


Image: A visual representation of the chair's height relative to an average adult, providing a sense of scale.

## Product Specifications (per chair)

<b>Brand</b>	vidaXL
<b>Model Name</b>	Folding Patio Chairs (2 Pcs)
<b>Material</b>	Solid Teak Wood with waterbase finish
<b>Overall Dimensions (L x W x H)</b>	21.7" x 24.4" x 35.4" (55 x 62 x 90 cm)
<b>Seat Size (W x D)</b>	16.9" x 16.5" (43 x 42 cm)
<b>Seat Height from Ground</b>	17.7" (45 cm)
<b>Armrest Height from Ground</b>	26.8" (68 cm)
<b>Maximum Load Capacity</b>	242.5 lb (110 kg)
<b>Assembly Required</b>	Yes (for initial setup/unfolding)
<b>Item Weight</b>	Approximately 17.34 kg (38.2 lbs)

## WARRANTY AND SUPPORT

vidaXL products are manufactured to high-quality standards. For information regarding warranty coverage, please refer to the warranty card included with your purchase or visit the official vidaXL website.

If you encounter any issues or have questions not covered in this manual, please contact vidaXL customer support. Contact details can typically be found on the product packaging, the vidaXL website, or through your retailer.

**Online Support:** Visit vidaXL Customer Service