

Manuals.plus /

› SHW /

› SHW Mission 55 x 60 Inch L-Shape Home Office Computer Desk (White) Instruction Manual

SHW OD-13L-W

SHW Mission 55 x 60 Inch L-Shape Home Office Computer Desk (White) Instruction Manual

Model: OD-13L-W

1. INTRODUCTION

This manual provides detailed instructions for the assembly, operation, and maintenance of your SHW Mission 55 x 60 Inch L-Shape Home Office Computer Desk. Please read all instructions carefully before assembly and use to ensure safe and proper functionality.



Figure 1: SHW Mission L-Shape Home Office Computer Desk.

2. SAFETY INFORMATION

To prevent injury or damage to the product, adhere to the following safety guidelines:

- Always assemble the desk according to the provided instructions.
- Ensure the desk is stable and anchored to the floor to prevent tipping.
- Be cautious when handling the steel frame and components to avoid pinch or crush injuries.
- Keep the desk away from heat sources.
- Do not place heavy objects on the edges of the desk to prevent damage or instability.

3. PACKAGE CONTENTS

Verify that all components are present before beginning assembly:

- Desk Surface (L-shaped sections)
- Legs (Powder-coated steel frame)
- Assembly Hardware (Screws, bolts, Allen wrench)

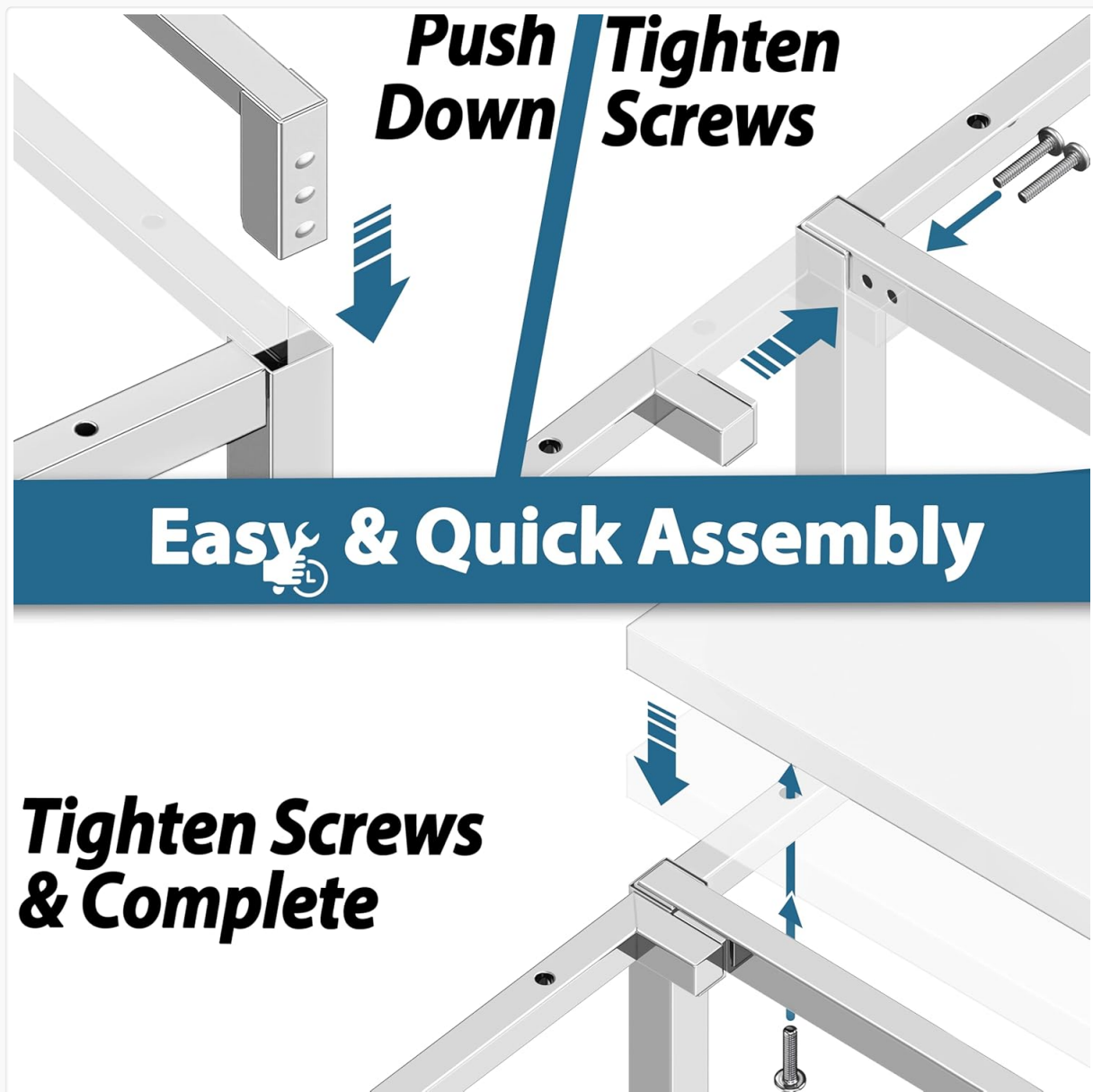


Figure 2: Illustrated assembly steps and components.

4. ASSEMBLY INSTRUCTIONS

Assembly is designed to be straightforward. It is recommended to have two people for easier assembly. An Allen wrench is included for necessary fastenings.

4.1. Frame Assembly

1. Unpack all components and verify against the parts list.
2. Assemble the steel frame sections according to the diagrams provided in the included manual. Ensure all connections are secure but do not fully tighten screws until all parts are aligned.
3. Attach the adjustable foot pads to the bottom of each leg.

4.2. Desktop Attachment

4. Carefully place the desktop sections onto the assembled frame. Ensure the L-shape orientation is correct for your desired setup.
5. Align the pre-drilled holes in the desktop with the holes in the frame.
6. Secure the desktop to the frame using the provided screws. Once all screws are in place, fully tighten all fasteners on the frame and desktop.

Video 1: Brief overview of desk assembly steps. Note: This is a short preview video.

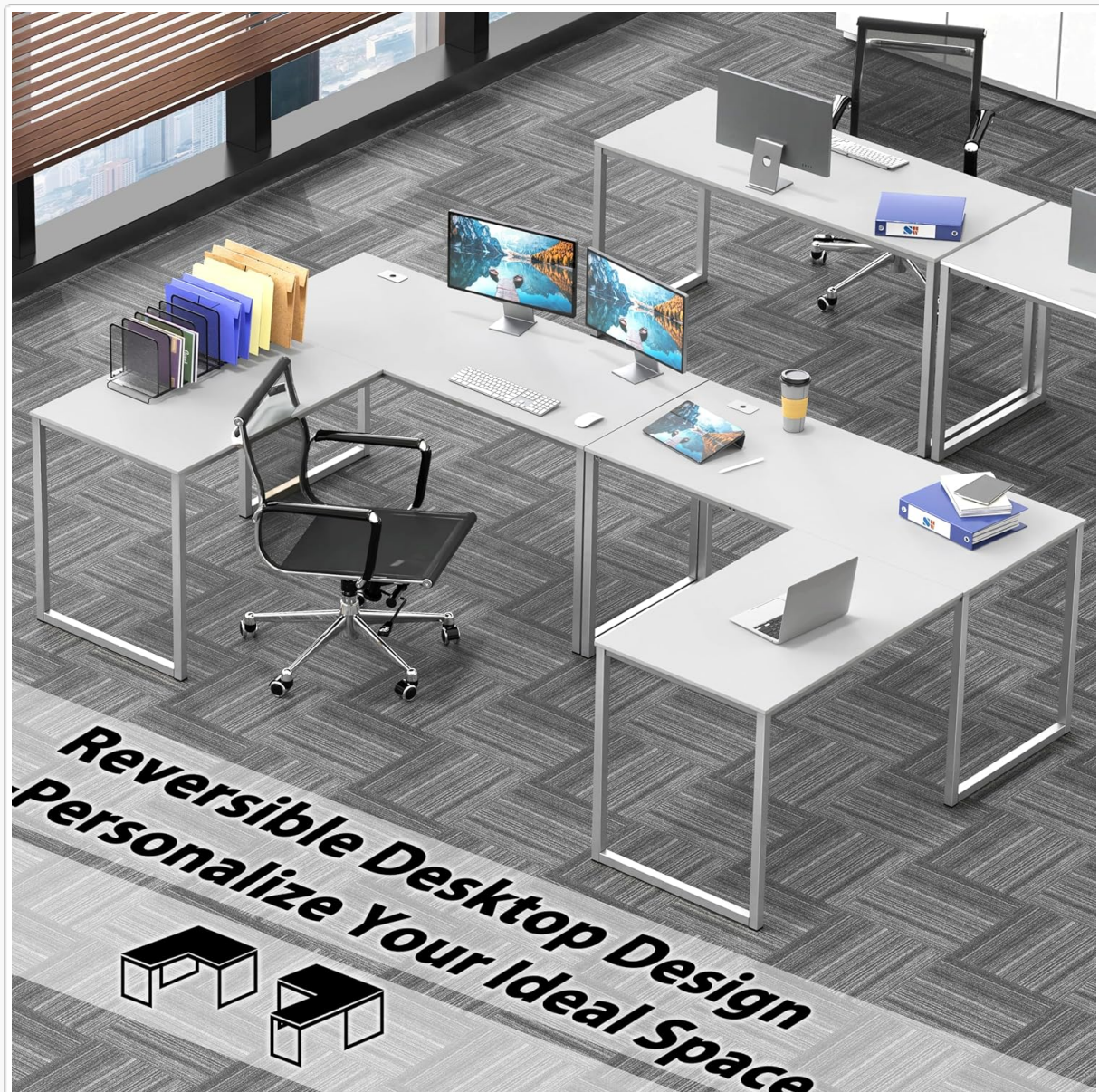


Figure 3: The reversible desktop design allows for flexible configuration to suit your space.

5. OPERATING INSTRUCTIONS

Your SHW Mission L-Shape Desk provides a spacious and stable work surface for various activities. The L-shaped design is ideal for corner placement, maximizing your workspace efficiency.

5.1. Workspace Utilization

- Utilize the wide surface area for multiple monitors, laptops, and office accessories.
- The open design underneath provides ample legroom and space for office chairs to maneuver freely.



Figure 4: Efficient layout for productivity with dual monitors and accessories.

5.2. Cable Management

- The integrated grommet allows for organized routing of cables, keeping your workspace tidy.



Figure 5: Detail of the cable management grommet.

6. MAINTENANCE

To maintain the appearance and longevity of your desk, follow these simple care instructions:

- Wipe the desk surfaces with a damp cloth.
- Avoid using harsh chemicals or abrasive cleaners, as these may damage the finish.
- Regularly check and tighten any loose screws to ensure stability.

7. TROUBLESHOOTING

If you encounter any issues with your desk, consider the following:

- **Wobbling:** Ensure all screws are fully tightened. Adjust the foot pads on the bottom of the legs to level the desk on uneven surfaces.
- **Assembly Difficulty:** Re-check the instruction manual to ensure all steps were followed correctly. Verify that all parts are oriented as shown in the diagrams.

8. SPECIFICATIONS

Feature	Detail
Brand	SHW
Model Number	OD-13L-W
Product Dimensions	23.8" D x 55/60" W x 28" H
Color	White
Style	Modern
Base Material	Alloy Steel
Top Material Type	Engineered Wood
Finish Type	Powder Coated
Item Weight	40.9 Pounds
Required Assembly	Yes

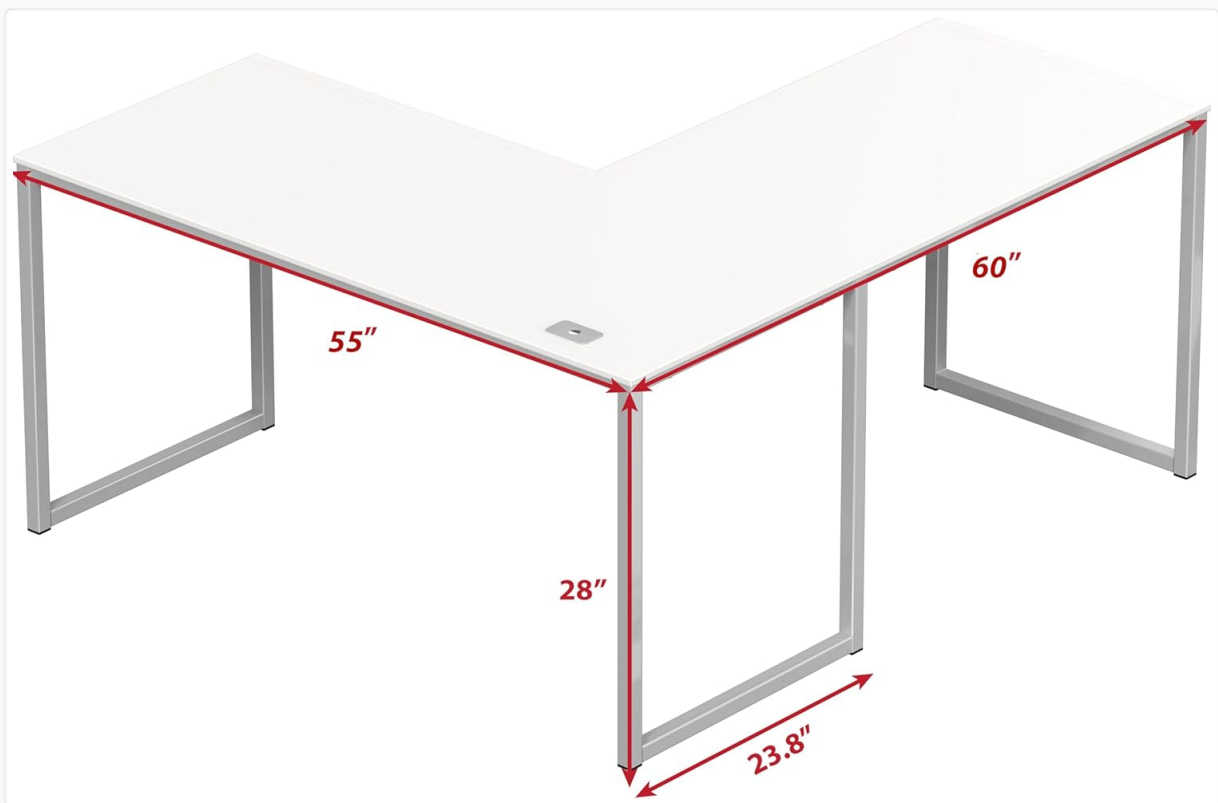


Figure 6: Key dimensions of the L-Shape desk.

9. WARRANTY AND SUPPORT

Your SHW Mission L-Shape Home Office Computer Desk is covered by a 5-Year Limited Warranty, ensuring long-term reliability. For warranty claims or technical support, please refer to the contact information provided with your purchase documentation or visit the official SHW website.

