

Manuals+

[Q & A](#) | [Deep Search](#) | [Upload](#)

manuals.plus /

› [SIEMENS](#) /

› [Siemens SN43ES14VE iQ300 Smart Dishwasher User Manual](#)

SIEMENS SN43ES14VE

Siemens SN43ES14VE iQ300 Smart Dishwasher

Model: SN43ES14VE

INTRODUCTION

This manual provides essential information for the safe and efficient operation of your Siemens SN43ES14VE iQ300 Smart Dishwasher. Designed for under-counter installation, this appliance features advanced technologies such as autoOpen dry for perfect drying, an iQdrive motor for quiet and efficient performance, and Home Connect for remote control. Please read these instructions carefully before using your dishwasher to ensure proper installation, usage, and maintenance.



Figure 1: Siemens SN43ES14VE iQ300 Dishwasher

This image shows the front of the Siemens SN43ES14VE iQ300 dishwasher, featuring its stainless steel finish and the control panel at the top. The door is slightly open, providing a glimpse into the interior.

SAFETY INFORMATION

Always adhere to the following safety guidelines to prevent injury or damage to the appliance:

- **Electrical Safety:** Ensure the appliance is properly grounded and connected to a suitable power supply (220 Volts). Do not use extension cords.
- **Water Safety:** The appliance is equipped with an **aquaStop®** system, providing lifetime warranty against water damage. However, always check hoses for leaks and ensure proper water supply connection.

- **Child Safety:** Keep children away from the dishwasher, especially when it is operating or when the door is open. The appliance features a key lock for child protection.
- **Detergents:** Use only detergents and rinse aids specifically designed for dishwashers. Keep them out of reach of children.
- **Sharp Objects:** Place sharp items like knives with the points facing down in the cutlery drawer to prevent injury.
- **Hot Surfaces:** The interior of the dishwasher can be hot after a cycle. Allow it to cool before unloading.

SETUP AND INSTALLATION

The Siemens SN43ES14VE is designed for under-counter installation. Professional installation is recommended.

1. Unpacking

Carefully remove all packaging materials. Inspect the dishwasher for any signs of transport damage. If damage is found, do not install the appliance and contact your retailer.

2. Positioning

Place the dishwasher in its intended location under the kitchen counter. Ensure there is sufficient space for ventilation and connections. Refer to the dimension diagrams for precise measurements.

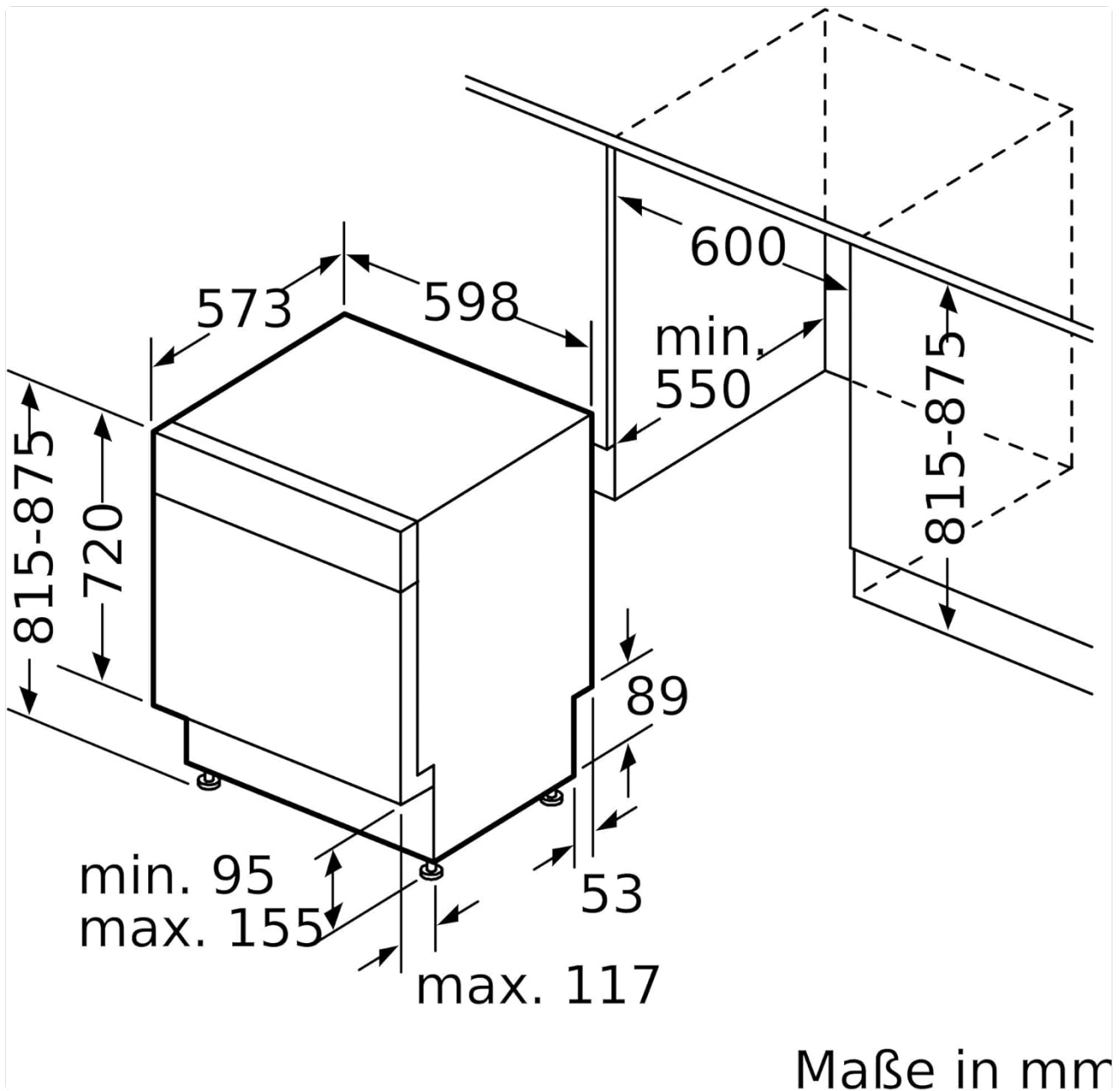
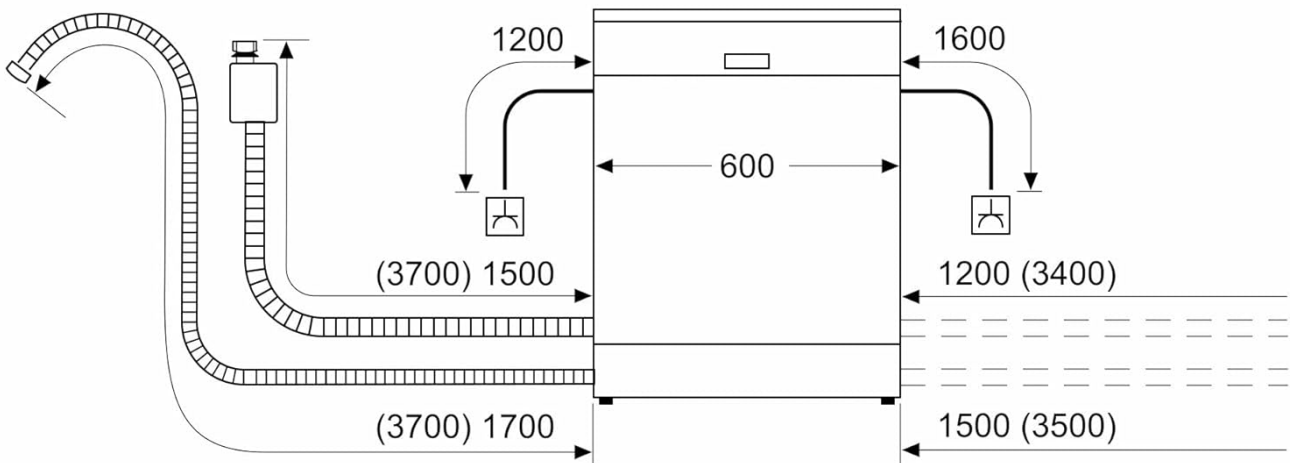


Figure 2: Installation Dimensions (mm)

This diagram provides detailed measurements for the dishwasher's dimensions (height 815-875mm, width 598mm, depth 573mm) and the required niche dimensions for built-in installation.

Maße in mm



⏏ Steckdose

() Werte mit Verlängerungssatz

Figure 3: Connection Points and Hose Lengths

This diagram illustrates the recommended lengths for the water inlet and outlet hoses, as well as the power cable, relative to the dishwasher's position.

3. Water Connection

Connect the water inlet hose to a cold water tap and the drain hose to a suitable drain pipe. Ensure all connections are secure to prevent leaks.

4. Electrical Connection

Connect the power cable to a properly grounded electrical outlet. The appliance operates on 220 Volts.

5. Leveling

Adjust the dishwasher's feet to ensure it is perfectly level. This prevents vibrations and ensures proper door closure.



Dieser Artikel wird vor Verlassen des Werkes eingehend von Siemens geprüft. Es ist daher möglich, dass sich in Ihrem Gerät Restwasserrückstände befinden.

Figure 4: Factory Tested Appliance

This image shows the interior of the dishwasher, highlighting that the appliance is thoroughly tested at the factory, which may result in residual water inside. This is normal and does not indicate a defect.

OPERATING INSTRUCTIONS

1. Control Panel Overview

The control panel features touch controls and a digital display for easy program selection and monitoring.



Figure 5: Control Panel

This image provides a detailed view of the dishwasher's control panel, displaying icons for various wash programs (Eco, Auto, Intensive, 1h, Quick, Favorite), special functions (Half Load, VarioSpeed Plus), and indicators for Wi-Fi connectivity and machine care.

2. Loading the Dishwasher

Proper loading ensures optimal cleaning results and efficient use of space.

- **Cutlery Drawer:** The top cutlery drawer provides dedicated space for silverware and small utensils, ensuring thorough cleaning.



Figure 6: Cutlery Drawer

This image shows the dedicated cutlery drawer at the very top of the dishwasher, designed to hold forks, spoons, knives, and other small utensils for efficient cleaning.

- **Upper Basket:** The VarioFlex basket system allows for flexible loading. The upper basket is height-adjustable (RackMatic system) to accommodate taller items below.



Figure 7: Upper Basket

This image displays the upper basket of the dishwasher, loaded with various glassware, cups, and small bowls, demonstrating its capacity and flexible design.

- **Lower Basket:** The lower basket is ideal for larger items like plates, pots, and pans. Foldable tines provide additional flexibility.



Figure 8: Lower Basket

This image shows the lower basket of the dishwasher, filled with dinner plates and a pot, illustrating how larger items can be accommodated.

3. Adding Detergent and Rinse Aid

Fill the detergent dispenser with the appropriate amount of dishwasher detergent. Check the rinse aid indicator and refill as needed to ensure streak-free drying.

4. Program Selection

Select a wash program suitable for your load. Available programs include:

- **Eco 50°C:** Energy-efficient program for normally soiled dishes.
- **Auto 45-65°C:** Automatically adjusts temperature and water usage based on soil level.
- **Intensive 70°C:** For heavily soiled pots, pans, and dishes.
- **1h 65°C:** A quick program for daily loads.
- **Quick 45°C:** For lightly soiled dishes that need to be cleaned fast.
- **Favorite:** Customize and save your preferred program settings.

5. Special Functions

Enhance your wash cycle with these functions:

- **Remote Start:** Control your dishwasher remotely via the Home Connect app.
- **Intensive Zone:** Increases spray pressure and temperature in the lower basket for very dirty items.
- **Half Load:** Reduces water and energy consumption for smaller loads.
- **VarioSpeed Plus:** Reduces program duration significantly while maintaining optimal cleaning and drying results.



Figure 9: VarioSpeed Plus Function

This image focuses on the VarioSpeed Plus button on the control panel, indicating its function for faster and more efficient cleaning cycles.

6. Starting the Program

Press the 'Start' button to begin the selected program. The electronic remaining time indicator will show the estimated time until completion. You can also use the delay start function (1-24 hours).

7. autoOpen dry

At the end of the program, the door will automatically open slightly to facilitate natural and energy-efficient drying of your dishes.

MAINTENANCE AND CARE

Regular maintenance ensures the longevity and optimal performance of your dishwasher.

1. Cleaning the Filters

The dishwasher features an automatic cleaning filter system with a 3-wave filter. Periodically check and clean the

filter system to remove any food debris.

2. Machine Care Program

Run the dedicated machine care program regularly to clean the interior of the dishwasher and prevent odors and residue buildup.

3. Salt and Rinse Aid Indicators

Monitor the electronic indicators for salt and rinse aid levels and refill as necessary. Proper levels are crucial for effective cleaning and drying.

4. Exterior Cleaning

Wipe the exterior surfaces with a soft, damp cloth. For stainless steel surfaces, use a specialized stainless steel cleaner to avoid fingerprints and maintain its appearance.

TROUBLESHOOTING

Before contacting customer service, please check the following common issues and their solutions:

Problem	Possible Cause	Solution
Dishwasher does not start	Power supply issue, door not closed properly, program not selected.	Check power connection, ensure door is latched, select a program and press 'Start'.
Dishes are not clean	Improper loading, insufficient detergent, clogged spray arms, filter dirty.	Reload dishes correctly, add more detergent, clean spray arms, clean filter.
Dishes are not dry	Insufficient rinse aid, autoOpen dry feature obstructed, plastic items.	Refill rinse aid, ensure door can open freely, note that plastic items dry less effectively.
Unusual noise	Items obstructing spray arms, dishwasher not level.	Rearrange dishes, level the appliance.
Water leakage	Hose connection loose, damaged hose.	Check all hose connections. The aquaStop® system provides protection against water damage.

SPECIFICATIONS

Detailed technical specifications for the Siemens SN43ES14VE iQ300 Dishwasher:

Feature	Specification
Model Number	SN43ES14VE
Capacity	13 Place Settings
Energy Efficiency Class	C (EU_ENERGY_LABEL)

Feature	Specification
Energy Consumption (per 100 cycles)	74 kWh
Water Consumption (per cycle)	9.5 Liters
Noise Level	44 dB (Class B)
Program Duration (Eco)	4:55 (h:min)
Dimensions (H x W x D)	81.5 cm x 59.8 cm x 57.3 cm
Weight	36.8 kg
Voltage	220 Volts
Control Type	Touch
Material	Stainless Steel / Plastic
Special Features	Adjustable height, Adjustable rack, Adjustable basket, Automatic shut-off, Adjustable plate spikes, Child lock, Removable filter, Extra dry function, Salt level indicator, Remaining time indicator, Quick wash, Leak sensor, Dirt sensor, Sound reduction system, Home Connect, autoOpen dry, iQdrive motor, VarioFlex, RackMatic, Dosage Assist.

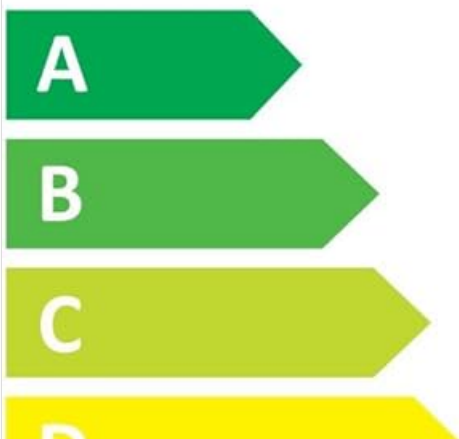


ENERG ⚡



Siemens

SN43ES14VE



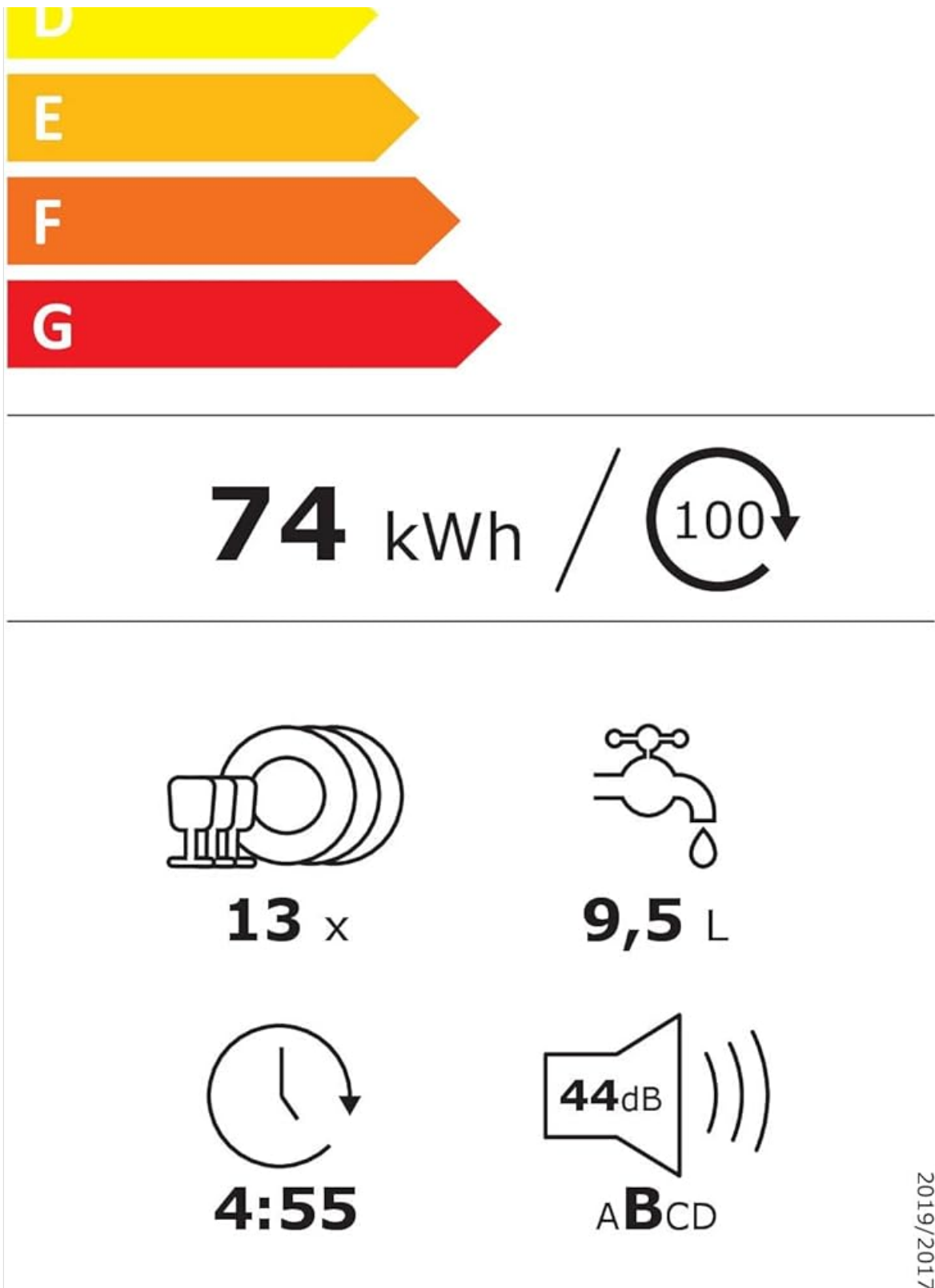


Figure 10: EU Energy Label

This image displays the official EU energy label for the Siemens SN43ES14VE, providing key information on its energy efficiency class (C), annual energy consumption, water consumption, noise level, and program duration. For more details, refer to the [EPREL database](#).

WARRANTY AND SUPPORT

1. Warranty Information

Your Siemens SN43ES14VE dishwasher comes with a manufacturer's warranty. The **aquaStop®** system offers a lifetime warranty against water damage. Please refer to your purchase documentation for specific warranty terms

and conditions.

2. Customer Support

For technical assistance, spare parts, or warranty claims, please contact Siemens customer service. You can find contact information on the official Siemens website or in your product registration materials.