

HOMIDEC zep-20230427-1

HOMIDEC Portable Shelf System 20-Cube Plastic Cabinet Instruction Manual

Model: zep-20230427-1

1. PRODUCT OVERVIEW

The HOMIDEC Portable Shelf System is a versatile 20-cube plastic cabinet designed for organized storage in various rooms, particularly bedrooms. This modular wardrobe offers ample space for clothes, accessories, and other items, featuring three clothes rails for hanging garments. Its design allows for flexible assembly to suit individual storage needs.

Key Features:

- **Material:** Constructed from PP plastic panels, ABS plastic connectors, and iron wire panel borders for durability.
- **Storage Capacity:** Features 20 cubes, each with dimensions of 35 x 35 x 45 cm (W x H x D), providing extra-large volume.
- **Clothes Rails:** Includes 3 clothes rails for hanging garments.
- **Moisture and Dust Protection:** Doors keep dust and dirt away, and PP panels are waterproof, moisture-resistant, mildew resistant, and dust-repellent.
- **Modularity:** Can be assembled as a large cabinet or configured into different blocks.
- **Stability:** Raised foot connections enhance stability and help resist moisture. Wall anchoring is recommended for secure standing.

2. SAFETY INFORMATION

Please read and understand all safety instructions before assembly and use.

- **Maximum Load Capacity:** Do not exceed the maximum load capacity of **10 kg (22 lbs)** per compartment.

Overloading can compromise the structural integrity of the unit.

- **Stability:** Ensure the cabinet is properly installed and all connectors are securely fastened to maintain stability. For enhanced safety, especially in households with children or in earthquake-prone areas, anchor the shelf cabinet to the wall using the included screws and dowels.
- **Assembly:** Assemble the unit on a flat, stable surface. Keep small parts away from children during assembly.
- **Material Safety:** The product is made from non-toxic, harmless PP plastic.

3. PACKAGE CONTENTS

Before beginning assembly, verify that all components listed below are present and undamaged. If any parts are missing or damaged, please contact customer support.

		PACKAGE LIST 20 cubes		
 <p>14" 14" 20_{PCS}</p> <p>PP Panels</p>				
 <p>14" 14" 10_{PCS}</p> <p>Door</p>	 <p>18" 14" 45_{PCS}</p> <p>New Panels</p>	 <p>2_{PCS}</p> <p>Anti-rewind</p>	 <p>8_{PCS}</p> <p>Door Connectors</p>	 <p>44_{PCS}</p> <p>Door Magnet</p>
 <p>1_{PCS}</p> <p>Mallet</p>	 <p>2_{PCS}</p> <p>Hook</p>	 <p>3_{PCS}</p> <p>Hanging Rail</p>	 <p>11_{PCS}</p> <p>ABS Connectors</p>	 <p>52_{PCS}</p> <p>ABS Connectors</p>

Image 3.1: Illustration of all components included in the HOMIDEC Portable Shelf System package. This image displays various panel types, connectors, clothes rails, and assembly tools.

- PP Panels (14" x 14"): 20 pieces

- Doors (14" x 14"): 10 pieces
- New Panels (14" x 18"): 45 pieces (These are the deeper panels for the 45cm depth)
- Anti-rewind (Wall anchors): 2 pieces
- Door Connectors: 8 pieces
- Door Magnets: 44 pieces
- Mallet: 1 piece
- Hooks: 2 pieces
- Hanging Rails: 3 pieces
- ABS Connectors (Standard): 11 pieces
- ABS Connectors (Foot): 52 pieces

4. ASSEMBLY INSTRUCTIONS

The HOMIDEC Portable Shelf System is designed for quick and easy assembly. Follow these steps carefully to ensure a stable and functional unit.

4.1. Preparation

- Clear a spacious, flat, and clean area for assembly.
- Unpack all components and verify against the "Package Contents" list.
- Familiarize yourself with the different panel sizes and connectors.

4.2. Basic Cube Assembly

1. **Connect Panels to Connectors:** Take an ABS connector and insert the corners of the PP plastic panels firmly into the slots of the connector. Ensure the panels are fully seated. Use the included mallet to gently tap the panels into place if needed, ensuring a snug fit.
2. **Form a Cube:** Continue connecting panels to form a cube structure. Each cube typically requires 6 panels (top, bottom, 4 sides) and 8 connectors.
3. **Attach Doors (Optional):** If adding a door, attach the door connectors to the appropriate slots on the cube frame. Then, attach the door panel. Ensure the door magnets are installed to allow the door to close securely.

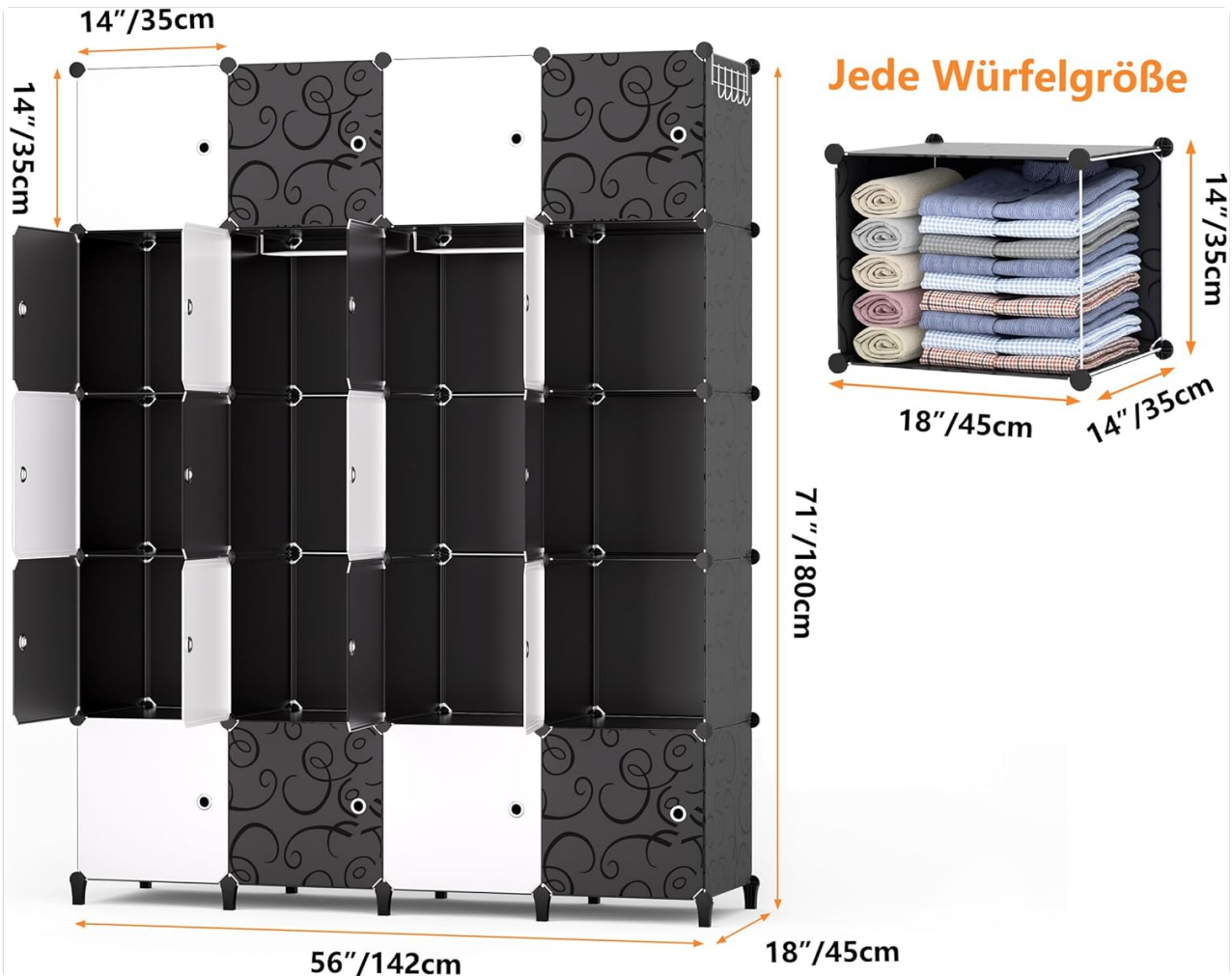
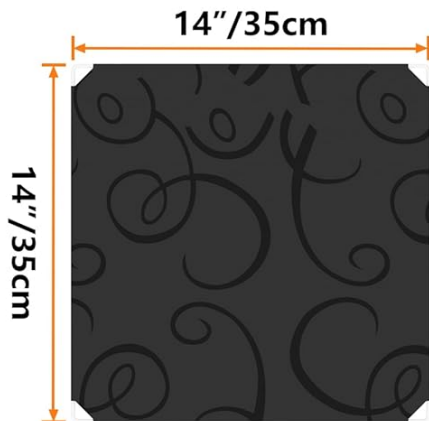


Image 4.1: This diagram illustrates the dimensions of a single cube (35cm x 35cm x 45cm) and the overall assembled wardrobe (180cm height, 142cm width, 45cm depth). It helps visualize the modular nature and scale of the product.

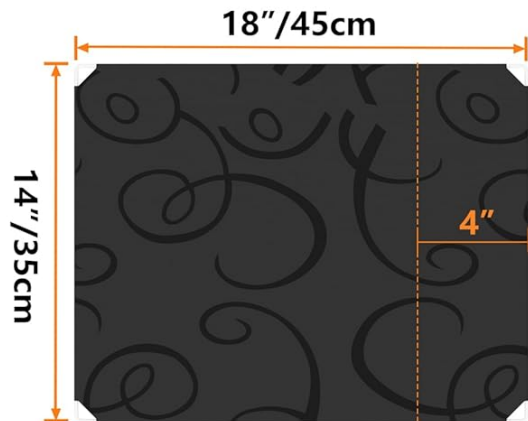
Aufgewertet

+30% ↗

vorherige Version



neue Version



Tür kann nicht geschlossen werden



Tür vollständig schließen



Image 4.2: This image compares the previous 35cm deep panel with the new 45cm deep panel, highlighting how the increased depth allows doors to close completely, even with items inside.

4.3. Expanding the Structure

- **Modular Assembly:** You can assemble the cubes into a large, multi-tiered cabinet or create smaller, separate blocks to fit different spaces. Connect additional panels and connectors to expand the structure horizontally and vertically.
- **Adding Clothes Rails:** For sections intended for hanging clothes, insert the hanging rails into the designated slots on the connectors or panels within the cube. Ensure they are securely seated.
- **Foot Connections:** Attach the ABS foot connectors to the bottom-most panels to raise the wardrobe, providing stability and protection against moisture.



Image 4.3: A comprehensive view of the fully assembled HOMIDEC 20-cube portable wardrobe. The doors are open, revealing various items stored inside, including folded clothes, hanging garments on rails, and accessories in different compartments.



Image 4.4: The HOMIDEC portable wardrobe integrated into a bedroom environment, showcasing its aesthetic appeal and functional use as a storage solution.

4.4. Wall Anchoring (Recommended)

For maximum stability and safety, especially if the unit is tall or in an area with potential for tipping, use the provided anti-rewind (wall anchors) to secure the cabinet to a wall. Follow the instructions included with the wall anchoring kit.

5. OPERATING INSTRUCTIONS

Using your HOMIDEC Portable Shelf System is straightforward once assembled.

- **Storage:** Utilize the individual cubes for folded clothes, books, toys, or other household items. The deeper 45cm cubes are ideal for bulkier items.
- **Hanging Clothes:** Use the installed clothes rails for hanging shirts, dresses, jackets, or other garments. Distribute weight evenly across the rails.

- **Door Functionality:** The doors are designed to keep contents dust-free. Ensure they close completely using the integrated magnets.
- **Weight Distribution:** Always distribute the weight of stored items evenly across the shelves and hanging rails. Avoid placing heavy items exclusively on upper shelves without proper wall anchoring.

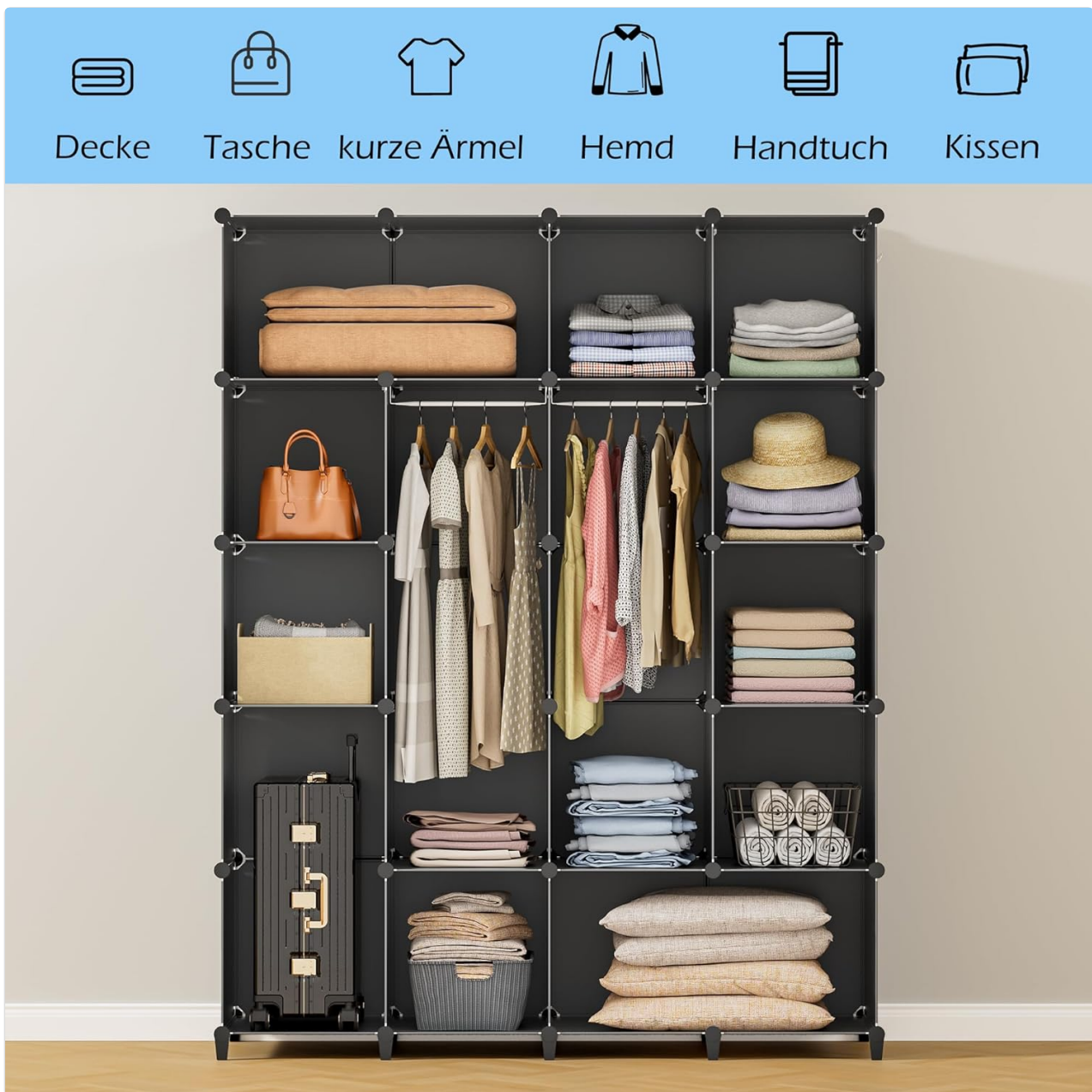


Image 5.1: This image provides examples of how to organize various items within the HOMIDEC wardrobe cubes, including folded blankets, bags, shirts, towels, and pillows, demonstrating its versatility.

6. MAINTENANCE AND CARE

To ensure the longevity and appearance of your HOMIDEC Portable Shelf System, follow these simple maintenance guidelines:

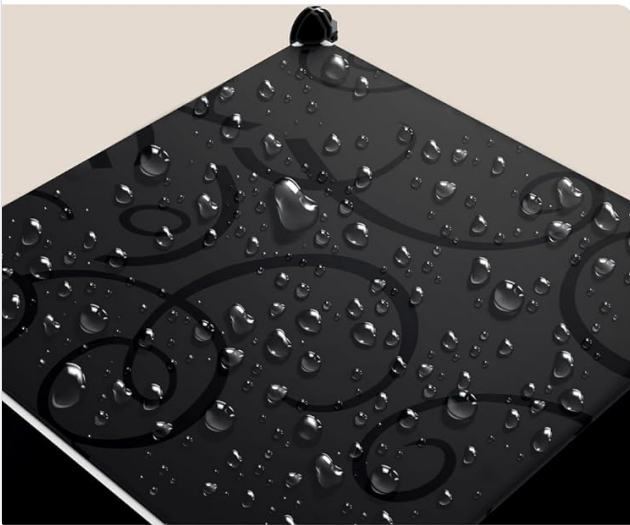
- **Cleaning:** The PP plastic panels are waterproof, moisture-resistant, mildew resistant, and dust-repellent. Clean the surfaces with a damp cloth and mild soap if necessary. Avoid abrasive cleaners or harsh chemicals that could damage the plastic.

- **Dusting:** Regularly dust the exterior and interior of the cubes to prevent dust accumulation.
- **Inspection:** Periodically check all connectors to ensure they remain securely fastened. Re-tap with the mallet if any connections feel loose.
- **Moisture:** While the panels are moisture-resistant, avoid prolonged exposure to excessive moisture or direct water to prevent potential damage or mildew growth in contents.

Ruten mit überlegener Gewichtskapazität



Wasserdichtem und Staabdichtem



Multifunktionaler Haken



Image 6.1: A close-up view highlighting the waterproof surface of the panels, indicated by water droplets, and a multifunctional hook accessory that can be attached to the wardrobe for additional hanging storage.

7. TROUBLESHOOTING

If you encounter any issues with your HOMIDEC Portable Shelf System, refer to the following common solutions:

- **Unit feels wobbly or unstable:**

- Ensure all panels are fully inserted into the connectors. Use the mallet to tap them firmly into place.
 - Verify that the unit is on a flat, level surface.
 - If the unit is tall, ensure it is anchored to the wall using the provided anti-rewind kit.
- **Doors do not close properly:**
 - Check that the door magnets are correctly installed and aligned.
 - Ensure the door panels are not warped or obstructed.
 - Verify that the items inside the cube are not protruding and preventing the door from closing.
- **Panels or connectors are damaged:**
 - Discontinue use of the damaged component.
 - Contact customer support for replacement parts.
- **Clothes rail sags:**
 - Reduce the weight of clothes on the rail. Ensure weight is evenly distributed.
 - Verify the rail is properly seated in its supports.

8. SPECIFICATIONS

Attribute	Detail
Brand	HOMIDEC
Model Number	zep-20230427-1
Color	White & Black
Product Dimensions (Overall)	45D x 140W x 180H Centimetres (18 x 56 x 71 inches)
Single Cube Dimensions	35W x 35H x 45D Centimetres (14W x 14H x 18D inches)
Maximum Weight Capacity (per compartment)	10 Kilograms (22 lbs)
Material	Polypropylene (PP) plastic panels, ABS plastic connectors, Iron wire frame
Mounting Type	Floor Mount (Wall anchoring recommended)
Room Type	Bedroom
Item Weight	18.4 kg

9. WARRANTY INFORMATION

Specific warranty details for the HOMIDEC Portable Shelf System are not provided in this manual. Please refer to your purchase documentation or contact the retailer/manufacturer directly for warranty terms and conditions.

10. CUSTOMER SUPPORT

For further assistance, missing parts, or inquiries not covered in this manual, please contact HOMIDEC customer support through the retailer's platform or the official HOMIDEC website.

© 2025 HOMIDEC. All rights reserved.

This manual is for informational purposes only. Product specifications are subject to change without notice.