

## Manuals+

[Q & A](#) | [Deep Search](#) | [Upload](#)

manuals.plus /

- › [NORTH EDGE](#) /
- › [NORTH EDGE Military Watch Apache User Manual](#)

## NORTH EDGE APACHE

# NORTH EDGE Military Watch Apache User Manual

Model: APACHE (50MM)

Brand: NORTH EDGE

## 1. INTRODUCTION

The NORTH EDGE Military Watch Apache is a robust and versatile digital sports watch designed for outdoor enthusiasts and tactical use. It features a durable construction and integrates multiple sensors including an altimeter, barometer, compass, thermometer, and pedometer, making it an essential tool for navigation and activity tracking in various environments. This manual provides detailed instructions to help you set up, operate, and maintain your Apache watch.

Your browser does not support the video tag.

Video: An introduction to the NORTH EDGE Apache watch, highlighting its design and features for harsh environments.

## 2. PACKAGE CONTENTS

Upon opening your NORTH EDGE Military Watch Apache package, please ensure all the following items are present:

- NORTH EDGE Military Watch Apache (50MM)
- CR2430 Battery (pre-installed or included separately)
- User Manual (this document)

## 3. PRODUCT OVERVIEW

The Apache watch is built with a rugged stainless steel case and a durable nylon strap, designed to withstand impacts, scratches, and water. Its FSTN display provides clear readability in various conditions.



Image: Front view of the NORTH EDGE Apache Military Watch, displaying time and compass information.



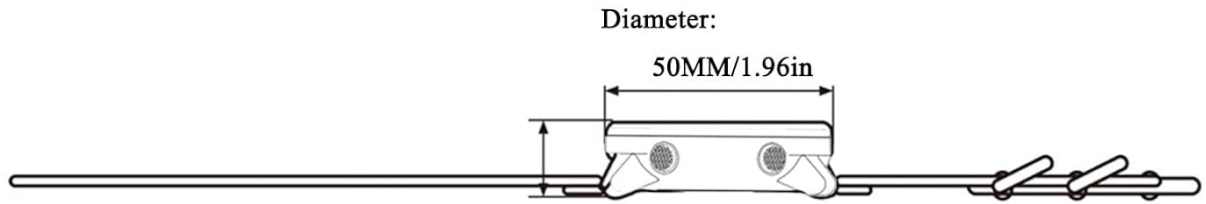
Image: Rear view of the watch, showing the stainless steel back and strap attachment.



Image: The watch display showing altimeter and temperature readings.



# Check your wrist size before purchasing



Net Weight: 112g / 0.247LB

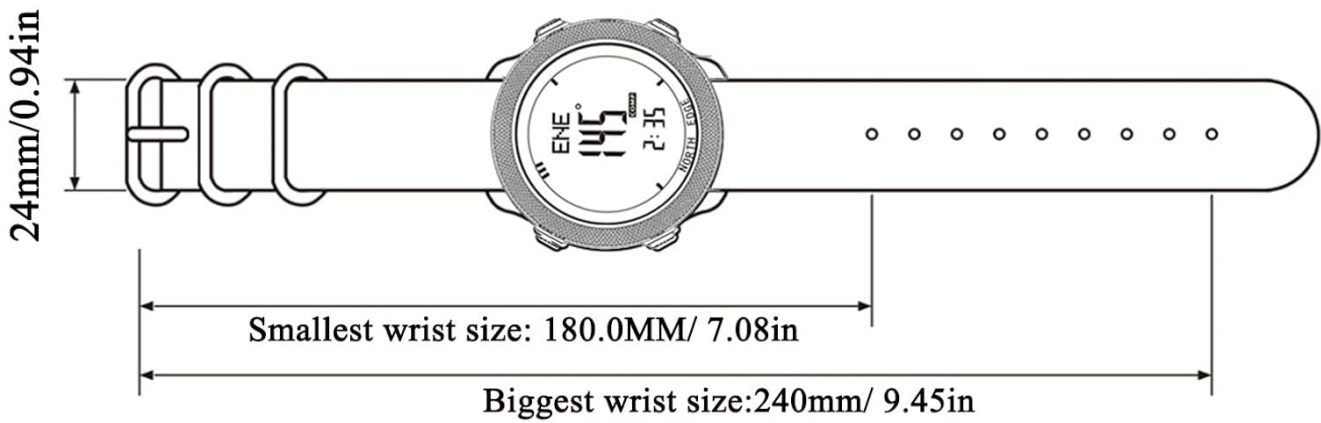


Image: A diagram illustrating the dimensions and weight of the watch.



Image: An infographic summarizing the watch's key features and functions.

Your browser does not support the video tag.

Video: A short demonstration of the Apache watch being worn, showcasing its appearance on the wrist.

## 4. SETUP

### 4.1 Initial Power On and Time Setting

Your watch comes with a CR2430 battery. If the display is off, press any button to activate it. To set the time and date:

1. Press and hold the **MODE** button to enter settings mode.
2. Use the **LIGHT** and **START/STOP** buttons to adjust values.
3. Press **MODE** to cycle through hours, minutes, seconds, year, month, and day.
4. Press **BACK** to exit settings.

## 4.2 Sensor Calibration

For accurate readings, it is crucial to calibrate the altimeter, barometer, and compass regularly, especially before outdoor activities or after significant changes in location or weather.

### 4.2.1 Compass Calibration

To calibrate the compass, enter compass mode and follow the on-screen instructions, typically involving rotating the watch in a figure-eight motion until calibration is complete.

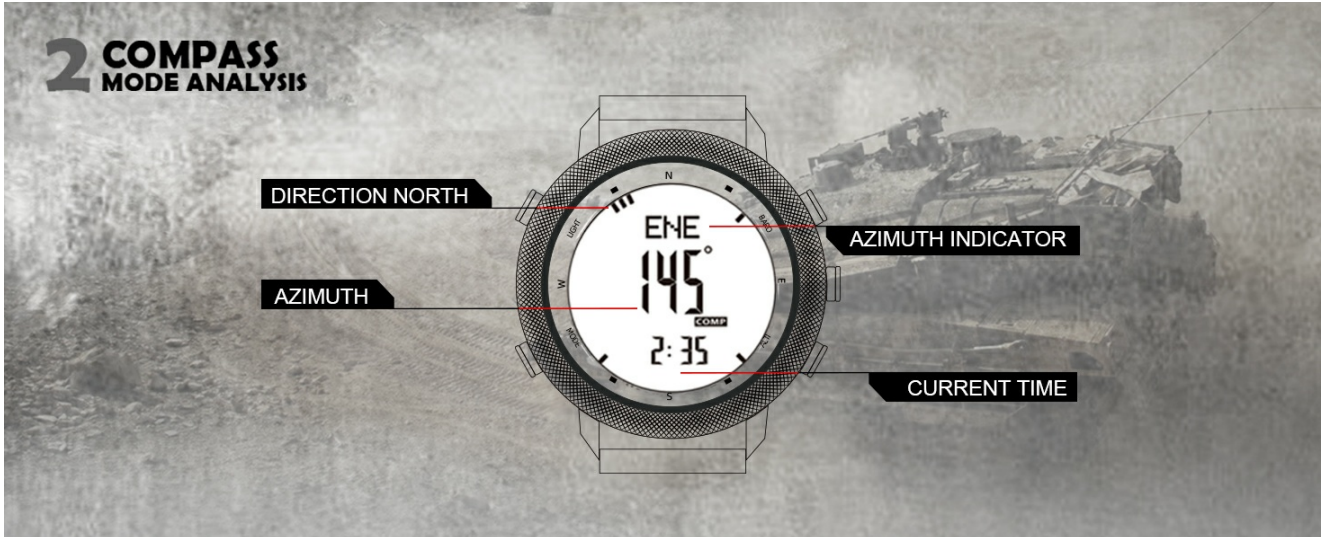


Image: Visual guide for compass mode and calibration.

### 4.2.2 Altimeter Calibration

Calibrate the altimeter by entering a known altitude (e.g., from a map or sign) or by setting it to sea level pressure. Refer to the specific instructions in the watch's menu for detailed steps.

**Check your wrist size before purchasing**

Diameter: 50.0MM/1.96in

Net Weight: 112g / 0.247LB

24mm/0.94in

Smallest wrist size: 180.0MM/ 7.08in

Biggest wrist size: 240mm/ 9.45in

**ALTIMETER MODE ANALYSIS**

- TEMPERATURE (PRESS A)
- RELATIVE HEIGHT (HOLD)
- ALTITUDE TREND CHART
- CURRENT ALTITUDE
- CURRENT TIME

**BAROMETER MODE ANALYSIS**

- SEA LEVEL PRESSURE TREND CHART
- CURRENT PRESSURE
- CURRENT TIME
- SEA LEVEL PRESSURE (PRESS A)
- TEMPERATURE (PRESS A)

**COMPASS MODE ANALYSIS**

- DIRECTION NORTH
- AZIMUTH
- AZIMUTH INDICATOR
- CURRENT TIME

Dimension	50x50x15mm	Barometer	SUPPORT
N. W.	112g	Pedometer	SUPPORT
G. W.	≤ 200g	Weather	SUPPORT
Display	FSTN	RUNNING	SUPPORT
Strap	Silicone / NYLON	CYCLING	SUPPORT
Waterproof	50M	SWIMMING	SUPPORT
Altimeter	SUPPORT	TIMING	SUPPORT
Thermometer	SUPPORT	COMPASS	SUPPORT

Image: Visual guide for altimeter mode and its readings.

### 4.2.3 Barometer Calibration

The barometer can be calibrated by inputting a known sea level pressure or by allowing the watch to automatically adjust based on changes in atmospheric pressure. Consult the watch's menu for precise calibration procedures.

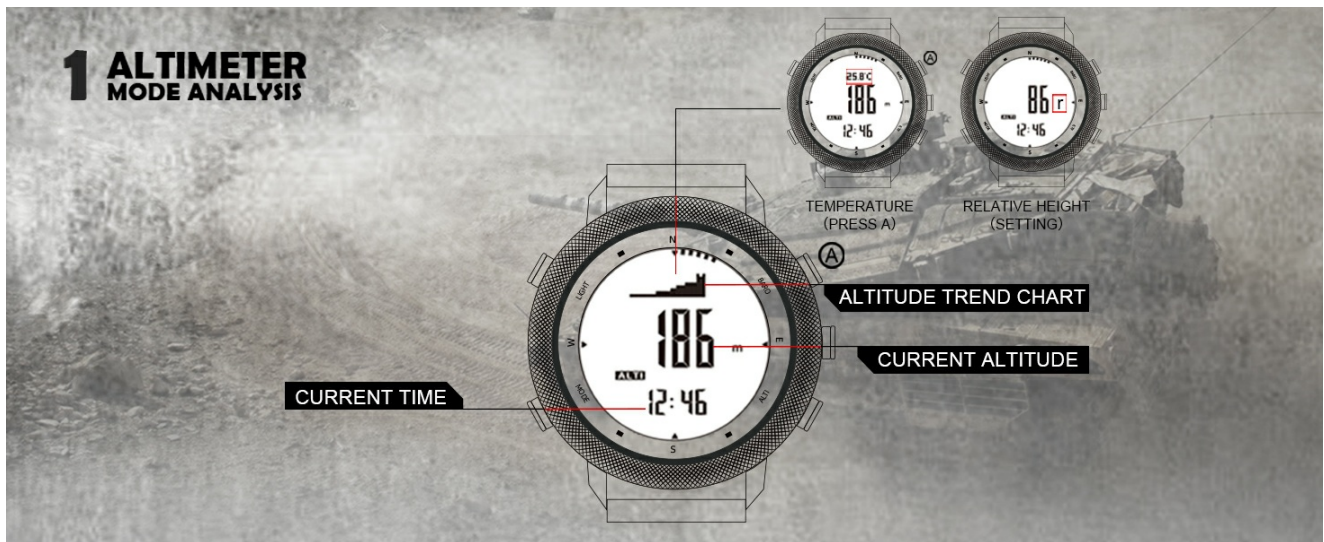


Image: Visual guide for barometer mode and its readings.

## 5. OPERATING MODES

The NORTH EDGE Apache watch offers several operating modes accessible via the **MODE** button. Press **MODE** repeatedly to cycle through them.

### 5.1 Time Mode

Displays current time, date, and day of the week. This is the default mode.

### 5.2 Altimeter Mode

Shows current altitude, temperature, and altitude trend. Useful for tracking elevation changes during hikes or climbs.

### 5.3 Barometer Mode

Displays current atmospheric pressure and a pressure trend chart. Can be used for weather forecasting.

### 5.4 Compass Mode

Provides real-time directional information (North, South, East, West) and azimuth readings. Ensure proper calibration for accuracy.

### 5.5 Pedometer Mode

Tracks your steps, distance, and calories burned. Activate this mode to monitor your daily activity.

### 5.6 Stopwatch Mode

Allows for precise timing of activities. Use the **START/STOP** button to begin and end timing, and **LIGHT** for lap times.

### 5.7 Alarm Mode

Set daily alarms to remind you of important events or wake-up times.

### 5.8 Backlight

Press the **LIGHT** button to illuminate the display in low-light conditions.

## 6. MAINTENANCE

### 6.1 Cleaning Your Watch

Wipe the watch case and strap with a soft, damp cloth. For stubborn dirt, a mild soap solution can be used. Ensure the watch is completely dry before storage or prolonged use.

### 6.2 Water Resistance

The Apache watch is waterproof up to 164 feet (50 meters). This rating means it is suitable for swimming and showering. However, it is not recommended for diving or high-pressure water activities. Avoid pressing buttons underwater to prevent water ingress.

### 6.3 Battery Replacement

The watch uses a CR2430 battery. When the battery is low, the display may dim or functions may become unreliable. Battery replacement should ideally be performed by a qualified technician to ensure the water resistance seal is maintained. If replacing yourself, carefully open the back case, replace the battery, and ensure the gasket is properly seated before closing.

## 7. TROUBLESHOOTING

If you encounter issues with your NORTH EDGE Apache watch, refer to the following common problems and solutions:

Problem	Possible Cause / Solution
Inaccurate Compass Readings	Compass needs calibration. Perform calibration in an open area away from strong magnetic fields (e.g., large metal objects, electronics).
Altimeter/Barometer Inaccurate	Sensors need calibration. Calibrate altimeter with a known altitude and barometer with a known sea level pressure. Significant weather changes can affect readings.
Display is Dim / Not Lighting Up	Low battery. Replace the CR2430 battery. Ensure backlight setting is not at its lowest level.
Watch Not Responding	Try a soft reset by pressing and holding all buttons simultaneously for a few seconds (if applicable, consult specific model instructions). If unresponsive, the battery may be completely drained.
Water Inside Display	Immediately stop using the watch and seek professional repair. This indicates a compromised water seal. Avoid pressing buttons underwater.

## 8. SPECIFICATIONS

Detailed technical specifications for the NORTH EDGE Military Watch Apache (50MM):

Feature	Detail
---------	--------

Feature	Detail
Dimensions	50x50x15mm (Diameter x Diameter x Thickness)
Weight	112g (N.W.) / 8.4 ounces (Item Weight)
Display Type	FSTN
Strap Material	Durable Nylon
Water Resistance	164FT / 50M
Sensors	Altimeter, Barometer, Compass, Thermometer, Pedometer
Battery Type	1 CR2430 (included)
Connectivity	Bluetooth (Wireless Communication Standard)
Model Number	APACHE
Manufacturer	NORTH EDGE
Country of Origin	China

## 9. WARRANTY INFORMATION

NORTH EDGE products are manufactured to high-quality standards. For specific warranty terms and conditions, please refer to the warranty card included with your purchase or visit the official NORTH EDGE website. Please retain your proof of purchase for any warranty claims.

## 10. CUSTOMER SUPPORT

If you require further assistance or have questions not covered in this manual, please contact NORTH EDGE customer support through the following channels:

- Visit the official NORTH EDGE website for FAQs and support contact forms.
- Refer to the contact information provided on your product packaging or purchase receipt.

When contacting support, please have your product model (APACHE) and purchase details ready.