

Manuals.plus /

› QWORK /

› QWORK Magnetic Push-to-Open Door Catches (Model WD9717) - Instruction Manual

## QWORK WD9717

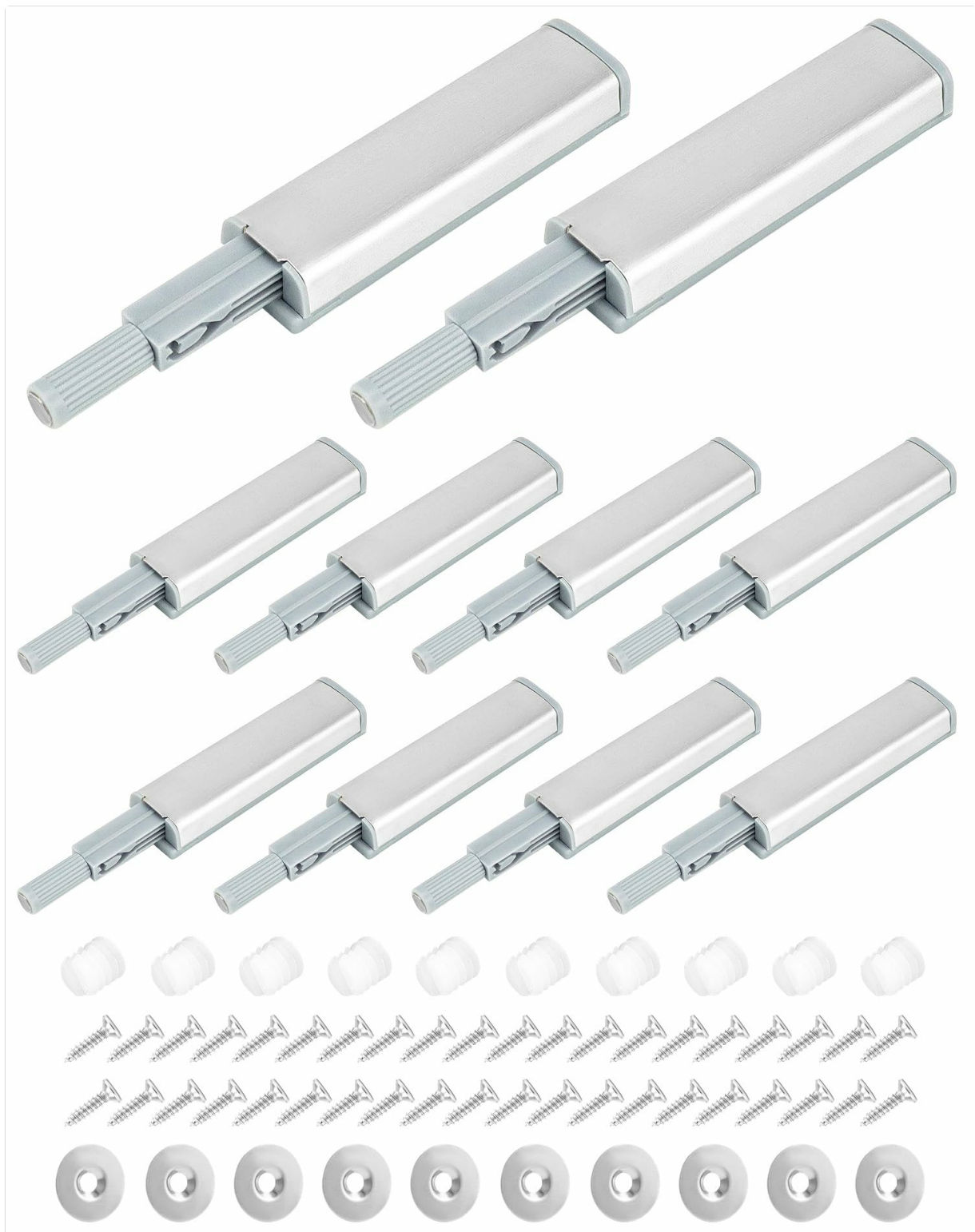
# QWORK Magnetic Push-to-Open Door Catches (Model WD9717) - Instruction Manual

## PRODUCT OVERVIEW

---

The QWORK Magnetic Push-to-Open Door Catches provide a convenient and sleek solution for handle-less cabinet doors and drawers. Designed for durability and ease of use, these catches allow you to open and close furniture doors with a simple push, maintaining a clean, minimalist aesthetic.

- **Durable Construction:** Made with stainless steel components to enhance product durability and prevent wear from long-term use on cabinet doors and the rebound mechanism.
- **Adjustable Rebound:** The top of the rebounder can be adjusted by approximately 4mm in length, allowing for fine-tuning of the rebound distance to suit various door types and preferences.
- **Effortless Operation:** Simply press the door to lock or unlock it. The soft-closing buffer, combined with magnetic positioning, ensures quiet operation and wear resistance, eliminating the need for traditional handles.
- **Enhanced Magnetic Hold:** One end of the rebounder features a magnetic head, ensuring a tighter and more secure adsorption when closing the cabinet door. This magnetic head provides superior sealing compared to non-magnetic plastic alternatives.
- **Versatile Application:** These catches can be widely used in various furniture pieces, including cabinets, drawers, dressers, and other handle-less designs.



*A single QWORK magnetic push-to-open door catch, showcasing its sleek silver and grey design.*

## SETUP AND INSTALLATION

Proper installation is crucial for the optimal performance of your QWORK Magnetic Push-to-Open Door Catches. Follow these steps carefully:

1. **Prepare the Mounting Area:** Identify the desired location for the catch on the inside of your cabinet frame and the corresponding strike plate on the inside of the cabinet door or drawer. Ensure there is sufficient clearance for the mechanism to operate.
2. **Mark Pilot Holes:** Using the provided mounting bracket as a template, mark the positions for the screw holes on both the cabinet frame and the door/drawer.

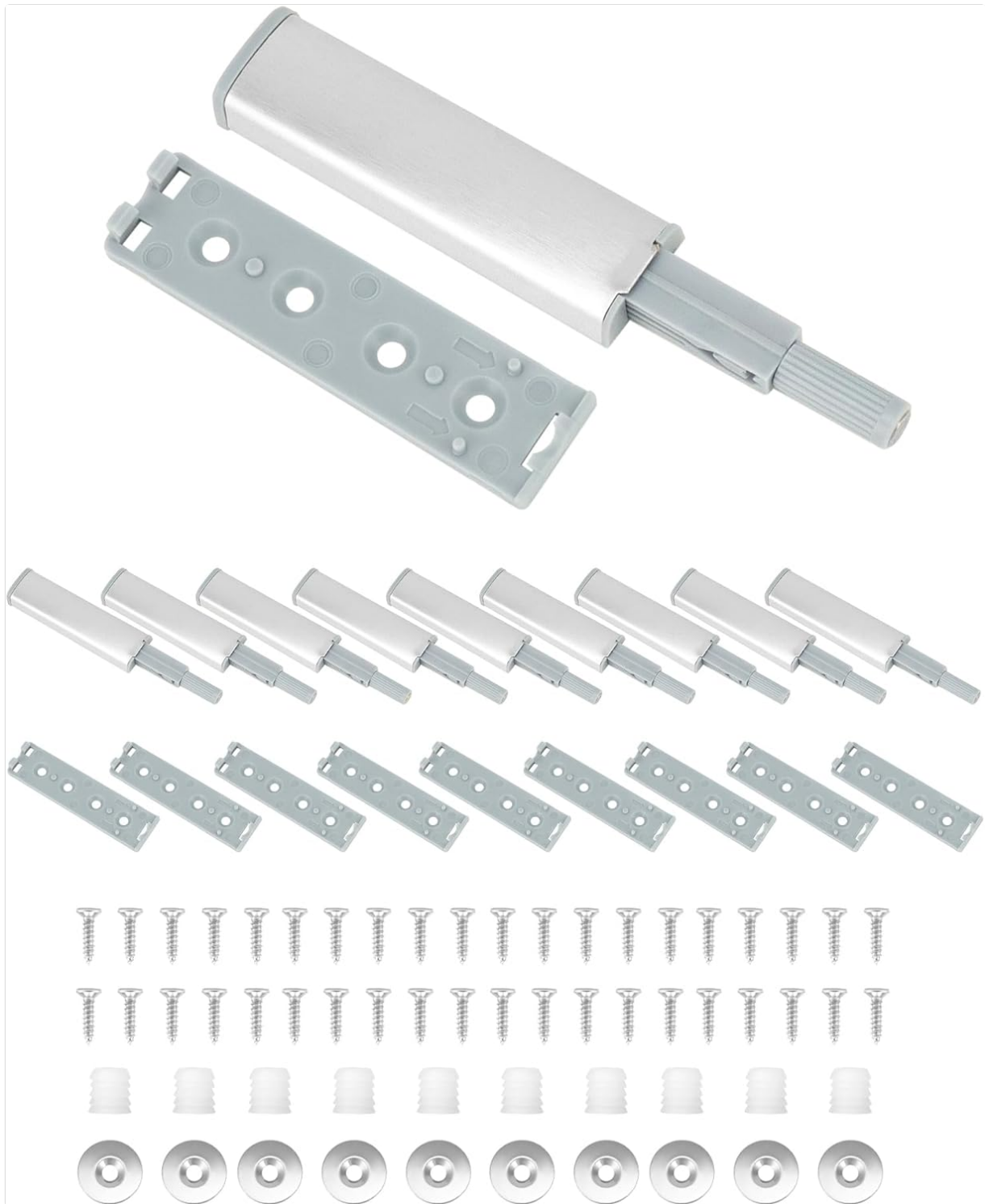
3. **Drill Pilot Holes:** Carefully drill small pilot holes at the marked positions. Use a drill bit appropriate for your furniture material to prevent splitting.
4. **Attach the Catch Body:** Secure the main body of the push-to-open catch to the cabinet frame using the provided screws. Ensure it is firmly attached and aligned correctly.
5. **Attach the Strike Plate:** Mount the magnetic strike plate to the inside of the cabinet door or drawer, aligning it with the magnetic head of the catch. Test the alignment before fully tightening the screws.
6. **Adjust Rebound (Optional):** If needed, adjust the rebound distance by rotating the tip of the catch. This allows you to fine-tune how far the door pushes open.



*A close-up view demonstrating the installation of the QWORK push-to-open catch. The main body is mounted inside the cabinet, and the strike plate is attached to the inside of the cabinet door, ready for alignment.*



*This image illustrates the versatility of the QWORK push-to-open catches, showing them installed on a TV cabinet, kitchen cabinets, and a drawer, highlighting their use in handle-less furniture designs.*



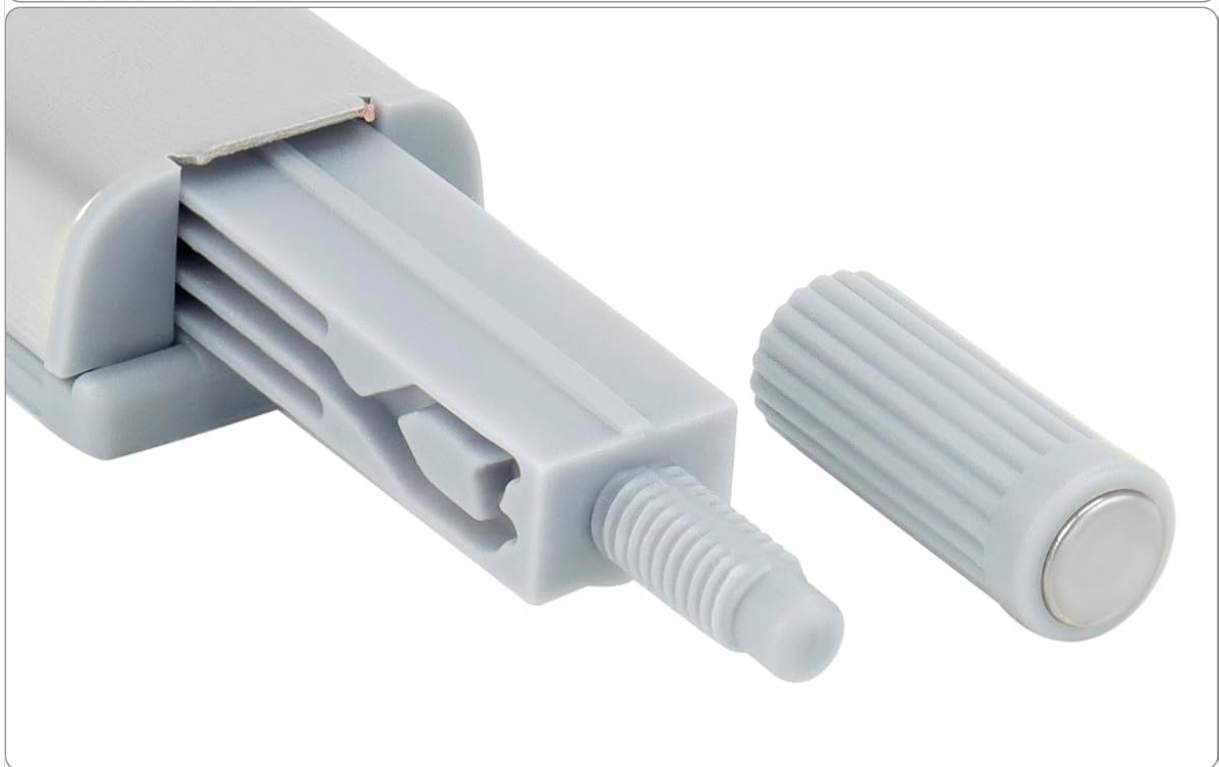
*An overview of the complete kit, showing ten magnetic push-to-open door catches, ten strike plates, mounting screws, and plastic anchors, providing all necessary hardware for installation.*

## OPERATING INSTRUCTIONS

Using your QWORK Magnetic Push-to-Open Door Catches is straightforward:

- **To Open:** Gently press the center of the cabinet door or drawer front. The internal spring mechanism will release, and the door will push open slightly, allowing you to pull it fully open.
- **To Close:** Simply push the door or drawer shut until the magnetic head engages with the strike plate and the internal mechanism locks it in place. You will feel a soft click as it secures.
- **Adjusting Rebound:** If the door does not open far enough or opens too much, you can adjust the rebound length. Gently twist the tip of the catch (the part that extends) to increase or decrease the

extension distance. A maximum adjustment of approximately 4mm is possible.



*Detailed view of the magnetic head at the tip of the push-to-open mechanism and the adjustable screw-in component, which allows for fine-tuning the rebound distance.*

## MAINTENANCE

To ensure the longevity and smooth operation of your QWORK door catches, consider the following maintenance tips:

- **Regular Cleaning:** Wipe the exterior of the catches and strike plates with a soft, damp cloth to remove dust and grime. Avoid abrasive cleaners that could damage the finish.
- **Check Fasteners:** Periodically inspect all mounting screws to ensure they remain tight. Loose screws

can affect the alignment and performance of the catch.

- **Inspect Mechanism:** Occasionally check the push mechanism for any obstructions or signs of wear. Ensure the spring action is smooth and consistent.
- **Magnetic Head:** Keep the magnetic head and strike plate clean and free of debris to maintain optimal magnetic attraction.

## TROUBLESHOOTING

---

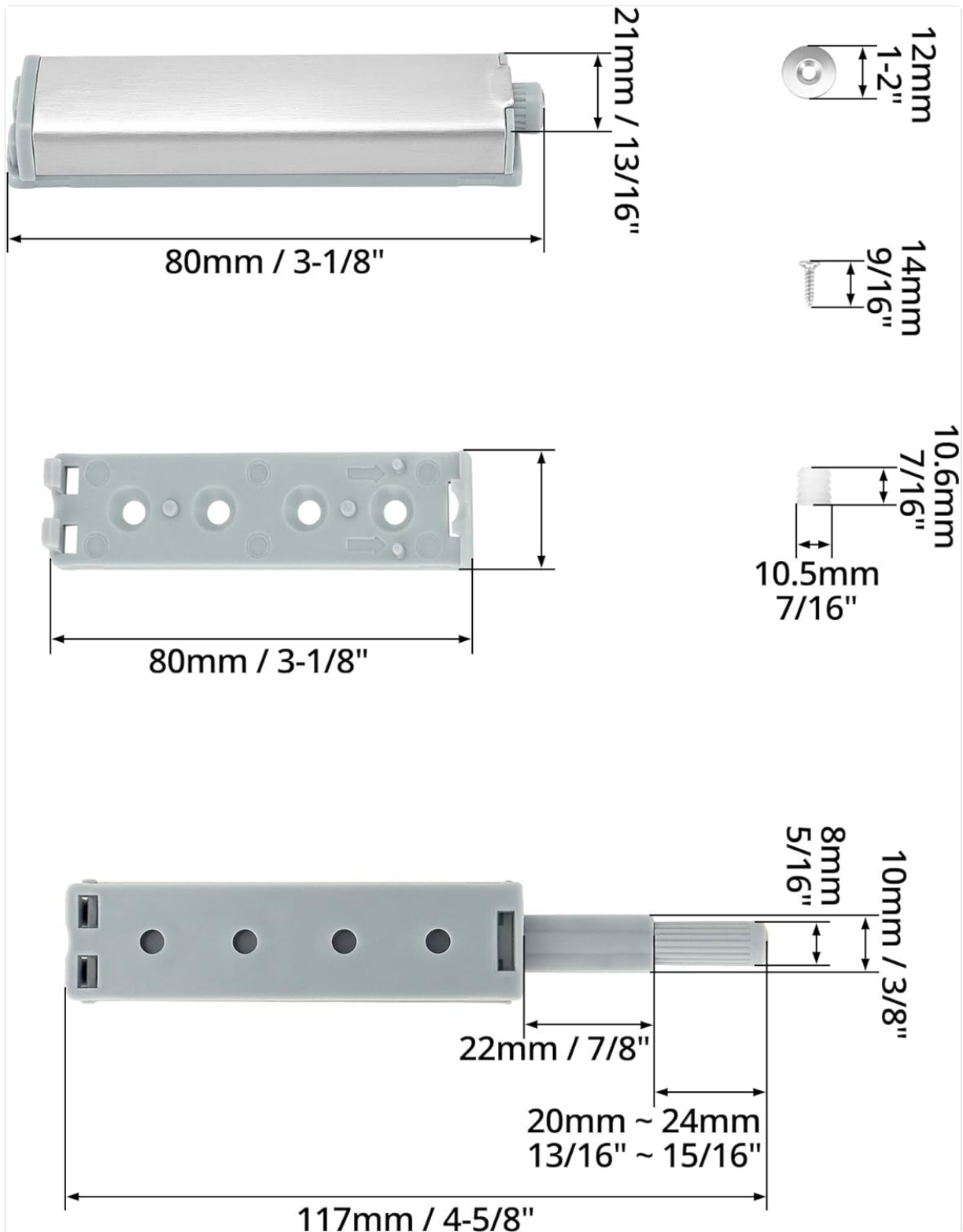
If you encounter issues with your QWORK Magnetic Push-to-Open Door Catches, try these troubleshooting steps:

- **Door Not Opening/Closing Smoothly:**
  - Check for proper alignment between the catch and the strike plate. Misalignment can cause friction or prevent full engagement.
  - Adjust the rebound length (as described in Operating Instructions) to ensure the door pushes out sufficiently.
  - Ensure no foreign objects are obstructing the mechanism or the door's path.
- **Weak Magnetic Hold:**
  - Verify that the strike plate is securely attached and directly aligned with the magnetic head when the door is closed.
  - Clean the magnetic head and strike plate to remove any dust or debris that might reduce magnetic force.
  - Ensure the door is not warped or sagging, which could prevent full contact.
- **Catch Mechanism Sticking:**
  - Check for any debris or dust inside the mechanism. A small amount of silicone spray (avoiding contact with the magnetic parts) might help, but generally, these units are designed to be maintenance-free internally.
  - Ensure the mounting screws are not overtightened, which could deform the housing and impede the mechanism.

## SPECIFICATIONS

---

- **Manufacturer:** QWORK
- **Model Number:** WD9717
- **Material:** Stainless Steel (mechanism components)
- **Package Dimensions:** Approximately 24 x 16 x 2.5 cm
- **Weight:** Approximately 287 grams (for the set)
- **Adjustable Rebound Length:** Up to approximately 4mm
- **Batteries Required:** No
- **Spare Parts Availability:** Information unavailable



Technical drawing displaying the precise measurements of the QWORK push-to-open door catch and its components in both millimeters and inches, crucial for accurate installation planning.

## WARRANTY AND SUPPORT

QWORK products are designed for quality and reliability. While specific warranty details are not provided in this manual, please retain your proof of purchase for any potential claims.

For technical assistance, product inquiries, or support, please refer to the seller or the official QWORK website. Information regarding spare parts availability is currently unavailable.

