

## Manuals+

[Q & A](#) | [Deep Search](#) | [Upload](#)

manuals.plus /

> [VISWIN](#) /

> [VISWIN Portable Beech Wood Tripod Easel SH\\_ELAF\\_W07EN1\\_V3 Instruction Manual](#)

## VISWIN SH\_ELAF\_W07EN1\_V3

# VISWIN Portable Beech Wood Tripod Easel Instruction Manual

Model: SH\_ELAF\_W07EN1\_V3

## INTRODUCTION

---

The VISWIN Portable Beech Wood Tripod Easel is designed for artists seeking a versatile and stable support for their artwork. Crafted from high-quality beech wood, this easel is suitable for various painting styles, including acrylic, oil, and watercolor. Its portable and foldable design makes it ideal for both indoor studio use and outdoor plein air painting. The easel features multiple adjustment options to accommodate different canvas sizes and working preferences.



The VISWIN Portable Beech Wood Tripod Easel, shown both assembled with a painting and folded for transport with its carrying bag.

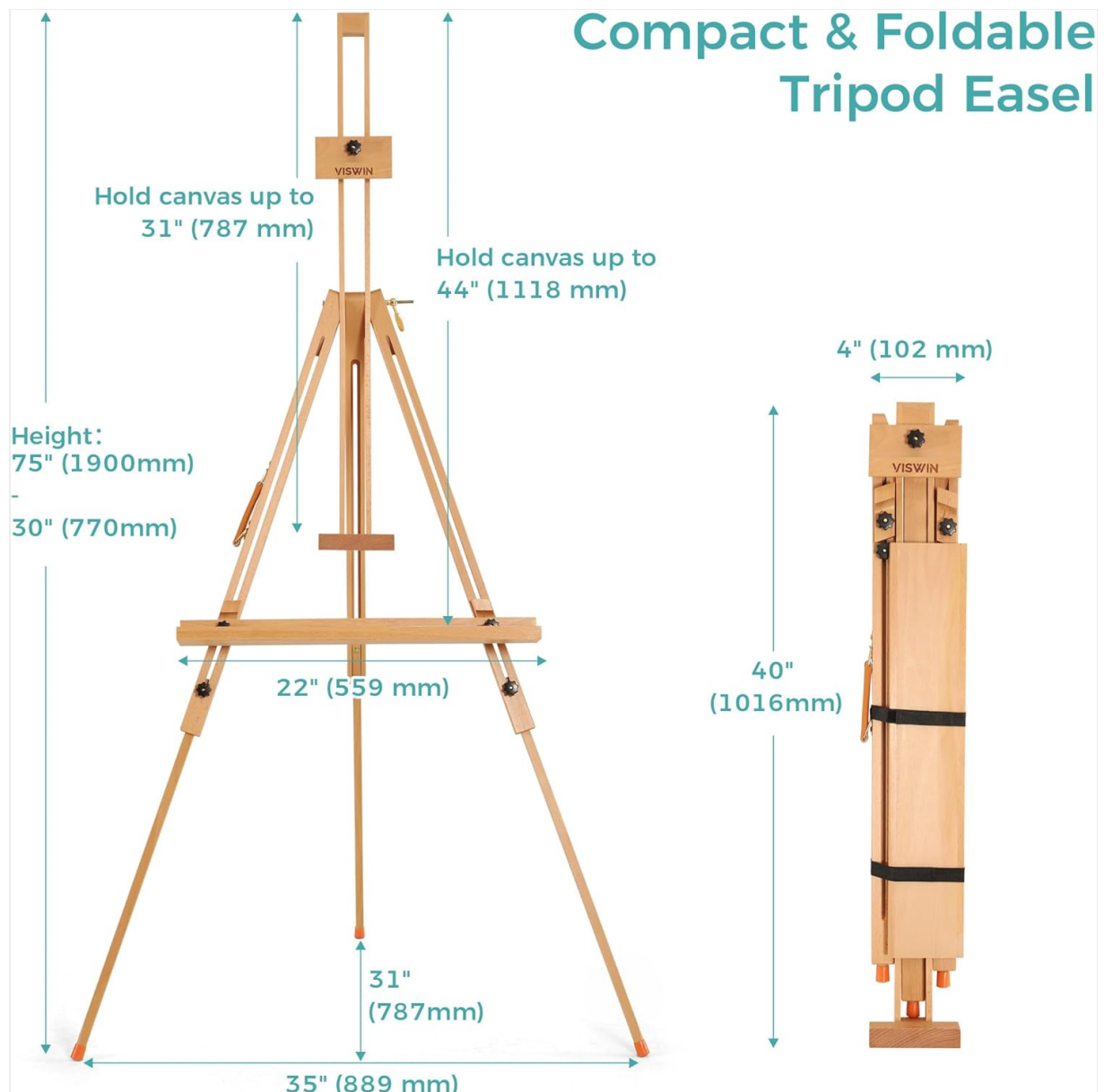
## SETUP INSTRUCTIONS

---

The VISWIN easel is designed for straightforward assembly. All necessary hardware is individually packed, and wooden parts are labeled with easy-peel number stickers to guide you through the process.

1. **Unpack Components:** Carefully remove all parts from the packaging. Verify that all components listed in the assembly guide are present.
2. **Assemble the Legs:** Extend the three tripod legs. Ensure they are securely locked into position to form a stable base.
3. **Attach the Central Mast:** Connect the central mast to the tripod base. Follow the numbered stickers for correct alignment.
4. **Install Canvas Holders:** Attach the upper and lower canvas holders to the central mast. These will secure your canvas.

5. **Adjust for Stability:** Once assembled, gently shake the easel to ensure all connections are tight and the structure is stable.



Detailed dimensions of the easel, illustrating its compact and foldable design.

For additional guidance, an assembly video may be available on the product's online listing or the manufacturer's website.

## OPERATING INSTRUCTIONS

---

The VISWIN easel offers several adjustments to optimize your painting experience.

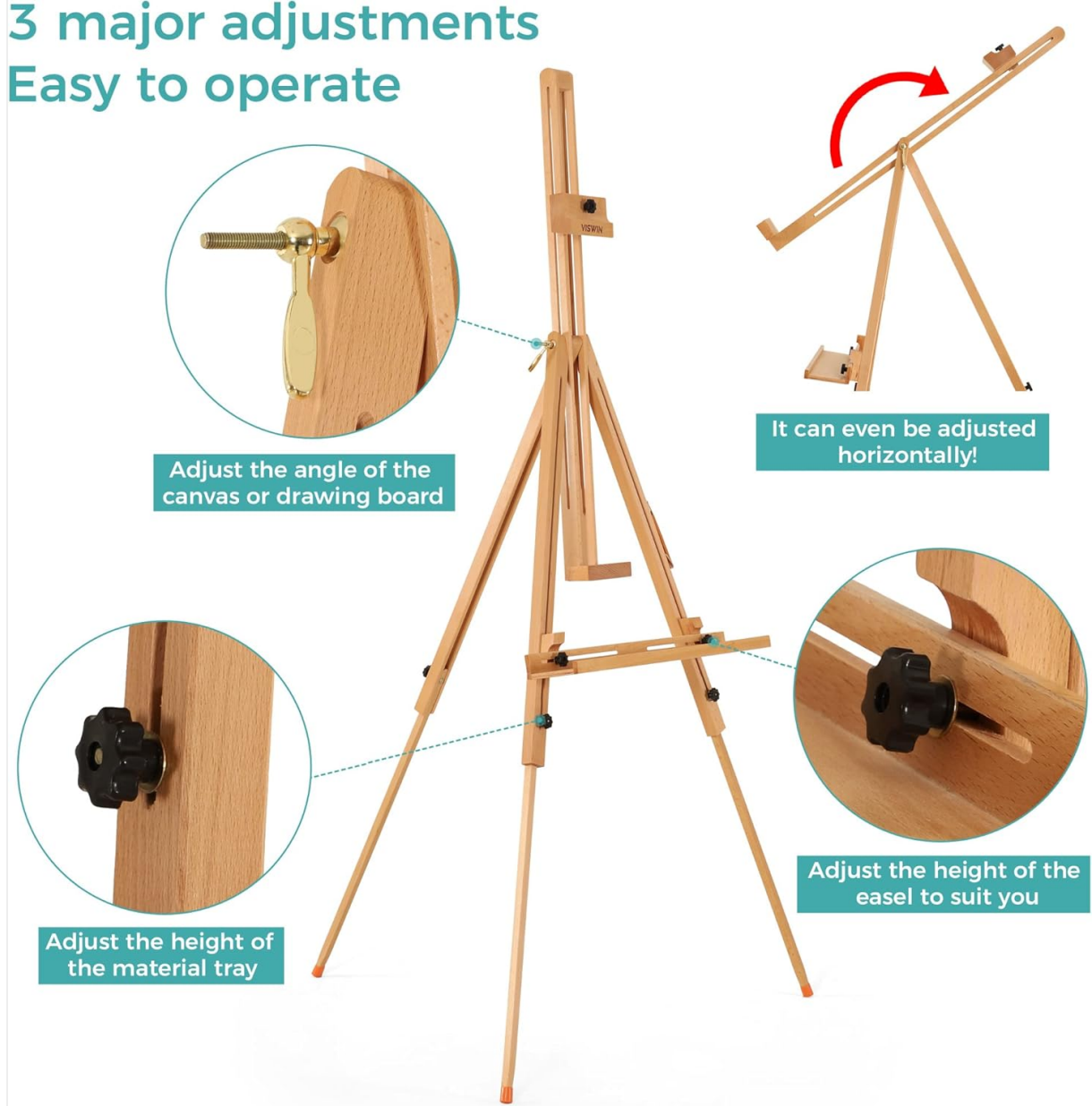
### Adjusting Canvas Angle and Height

- **Canvas Angle:** The central mast tray can be adjusted from a vertical position to fully flat. Loosen the adjustment knob (typically a brass-colored screw with a key-shaped handle) at the top of the mast to change the angle. Tighten to secure. This feature is particularly useful for watercolor or pouring techniques.
- **Easel Height:** The overall height of the easel can be adjusted from 30 inches to 75 inches. Loosen the knobs on the legs and central mast to extend or retract the sections. Ensure all knobs are securely tightened after adjustment to maintain stability.

- **Material Tray Height:** The lower canvas holder, which also functions as a material tray, can be moved up or down the central mast. Loosen the black knob on the side of the mast, slide the tray to your desired height, and then tighten the knob firmly.

## 3 major adjustments

### Easy to operate



Illustrations of the easel's adjustment mechanisms for angle, material tray, and overall height.

## Using the Removable Storage Tray

The easel includes a removable front tray on the front legs, with a depth of 89mm (3.5 inches). This tray is designed to keep your art supplies organized and within easy reach during painting sessions.

- **Attachment:** The tray slides onto designated slots on the front legs.
- **Capacity:** It can hold various items such as paint tubes, brushes, and small tools.
- **Removal:** The tray can be easily removed for cleaning or when not needed.

## Removable Storage Tray

store your messy art supplies



The removable storage tray, demonstrating its capacity for art supplies.

### Canvas Compatibility

The easel is designed to firmly support canvases up to 44 inches in height.

## Perfectly adapts to various sizes of canvas



The easel accommodates various canvas sizes, up to 44 inches.

## MAINTENANCE

---

Proper care will extend the life of your VISWIN easel.

- **Cleaning:** Wipe down the beech wood surfaces with a soft, dry cloth. For stubborn marks, a slightly damp cloth can be used, followed immediately by a dry cloth. Avoid harsh chemicals or abrasive cleaners.
- **Wood Care:** As a natural wood product, the easel may benefit from occasional treatment with wood oil or wax to prevent drying and cracking, especially in dry environments.
- **Hardware Inspection:** Periodically check all screws, knobs, and metal fittings for tightness. Tighten any loose components to ensure the easel remains stable and secure.
- **Storage:** When not in use, store the easel in a dry environment, away from extreme temperature fluctuations or direct sunlight, which can affect the wood. The included carrying bag provides protection during storage and transport.

## TROUBLESHOOTING

---

If you encounter issues with your easel, consider the following solutions:

- **Easel Instability:**

- Ensure all three legs are fully extended and locked.
- Verify that all adjustment knobs (for height and angle) are securely tightened.
- Check that the easel is placed on a flat, even surface. The non-slip rubber feet are designed to provide grip on various floor types.

- **Difficulty Adjusting Height/Angle:**

- Ensure the corresponding adjustment knob is sufficiently loosened before attempting to move the component.
- If wood parts feel stiff, a small amount of silicone spray (avoiding painted surfaces) or wood wax can help smooth movement.

- **Canvas Not Holding Securely:**

- Ensure both the upper and lower canvas holders are properly positioned and tightened against the canvas.
- Verify that the canvas size is within the easel's supported range (up to 44 inches).

- **Damaged or Bending Hardware:**

- If any hardware appears bent or damaged, cease use immediately.
- Contact VISWIN customer support for replacement parts or assistance. Do not attempt to force or repair damaged hardware, as this may compromise the easel's stability and safety.

## SPECIFICATIONS

---

<b>Brand</b>	VISWIN
<b>Model Number</b>	SH_ELAF_W07EN1_V3
<b>Material</b>	Beech Wood
<b>Color</b>	Natural
<b>Easel Type</b>	A-Frame Tripod Easel
<b>Adjustable Height</b>	30" to 75" (770mm to 1900mm)
<b>Max Canvas Height</b>	44" (1118mm)
<b>Product Dimensions (Folded)</b>	37 x 5.5 x 4.1 inches
<b>Item Weight</b>	8.58 pounds (3.9 Kilograms)
<b>Assembly Required</b>	Yes
<b>UPC</b>	765381506564

## WARRANTY AND SUPPORT

---

VISWIN is committed to providing high-quality products and customer satisfaction.

### Lifetime Guarantee

This VISWIN easel comes with a lifetime guarantee. If the product you purchased from VISWIN is found to be defective after you receive it or during use due to non-external reasons under normal use, please contact us. We are dedicated to providing support and will assist you with any issues.

## Customer Service

For any questions, concerns, or assistance with your VISWIN Portable Beech Wood Tripod Easel, please reach out to VISWIN customer service. Contact information can typically be found on the product packaging or the official VISWIN website.



**Perfect for plein air painter for sketching, watercolors, or oil painting, great indoors or outdoors**

VISWIN's commitment to product quality and customer support.