



[Manuals.plus](#) /

› [ODK](#) /

› ODK U Shaped Desk with Power Outlets & LED Strip & Monitor Stand User Manual

## ODK B02031601002USAN0818A7YUQ5J

# ODK U Shaped Desk User Manual

Model: B02031601002USAN0818A7YUQ5J

## 1. PRODUCT OVERVIEW

---

The ODK U Shaped Desk is designed for both gaming and home office environments, offering an immersive workspace with ample storage and integrated features. This desk includes a monitor stand, power outlets with USB ports, and an LED lighting strip to enhance your experience. Its reversible design allows for flexible configuration to suit various room layouts.



Image 1.1: The ODK U-shaped desk configured for an office environment, showcasing its spacious design, integrated monitor stand, power outlets, and storage drawers.

## 2. KEY FEATURES

- **U-Shaped Design:** Provides an expansive and immersive workspace, ideal for multi-monitor setups and keeping essential items within easy reach.



Image 2.1: The ODK U-shaped desk set up for gaming, featuring multiple monitors, gaming peripherals, and dynamic blue LED lighting, highlighting its immersive design.

- **Ample Storage Space:** Includes a monitor stand, a UPC stand, two open shelves, and four-tier drawers to organize various items and free up desktop space.

## MORE STORAGE SPACE



► Fabric Storage Drawers



► Metal Storage Shelf

Image 2.2: A detailed view of the desk's storage solutions, including four fabric drawers for classified storage and metal storage shelves for larger items like a computer tower.

- **Integrated LED Lights:** Features an LED lighting strip with 7 colors and 20 lighting modes, offering customizable ambiance with a memory function to recall the last setting.



Image 2.3: A close-up of the RGB LED strip located under the monitor stand, demonstrating various color options and lighting modes available to personalize the workspace.

- **Built-in Power Outlets and USB Charging Ports:** Equipped with a recessed power strip containing 3 AC outlets and 2 USB ports, along with a 6.6-foot power cord, for convenient device charging.

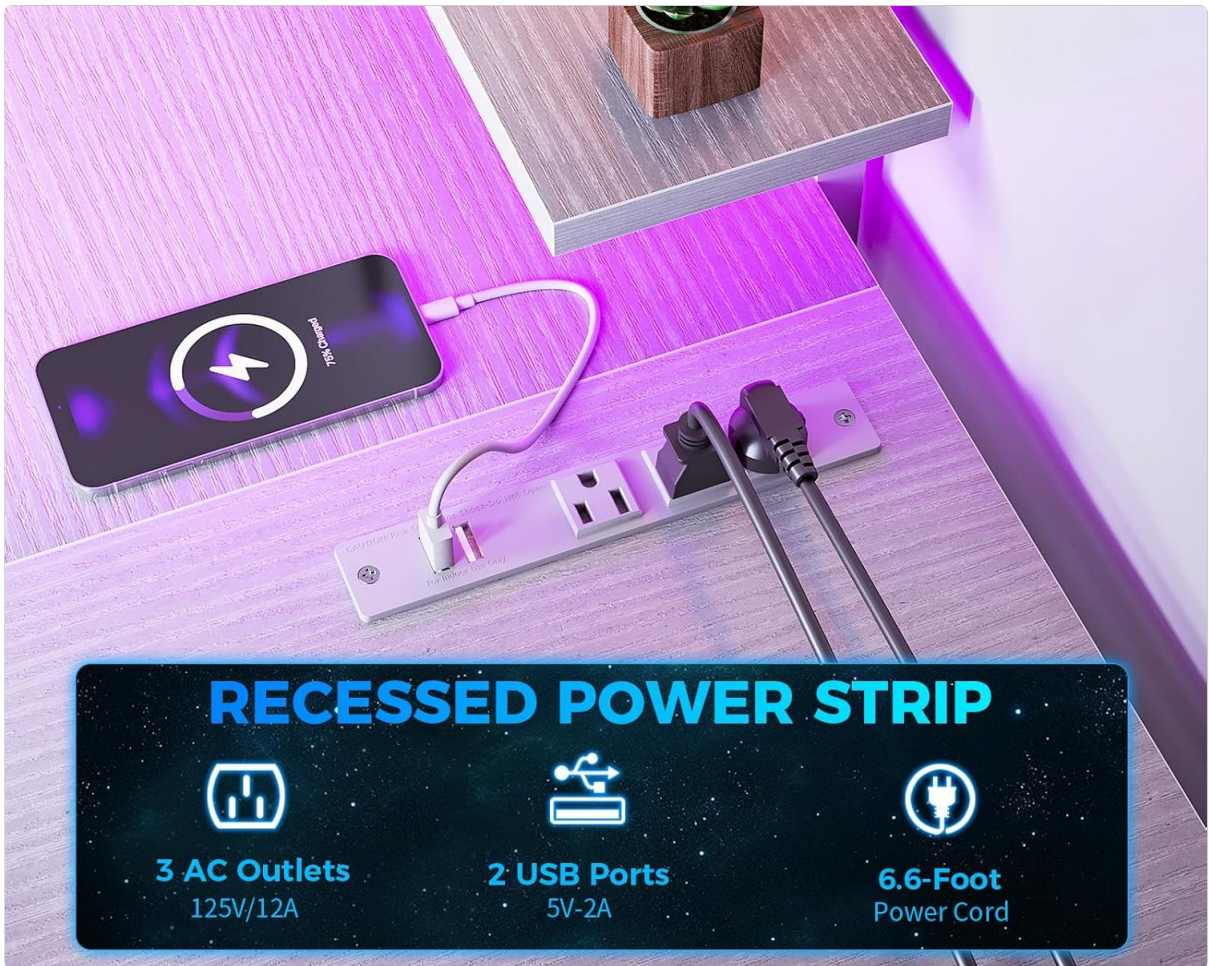


Image 2.4: A detailed view of the recessed power strip, showing its 3 AC outlets and 2 USB ports, with a smartphone connected for charging, illustrating its practical utility.

- **Reversible & Adjustable Design:** The drawer unit can be installed on either the left or right side, and the monitor stand is height-adjustable for ergonomic viewing.



Image 2.5: A diagram illustrating the reversible nature of the desk, showing how the storage and drawer sections can be configured on either the left or right side to fit different room layouts.

# Product Dimensions

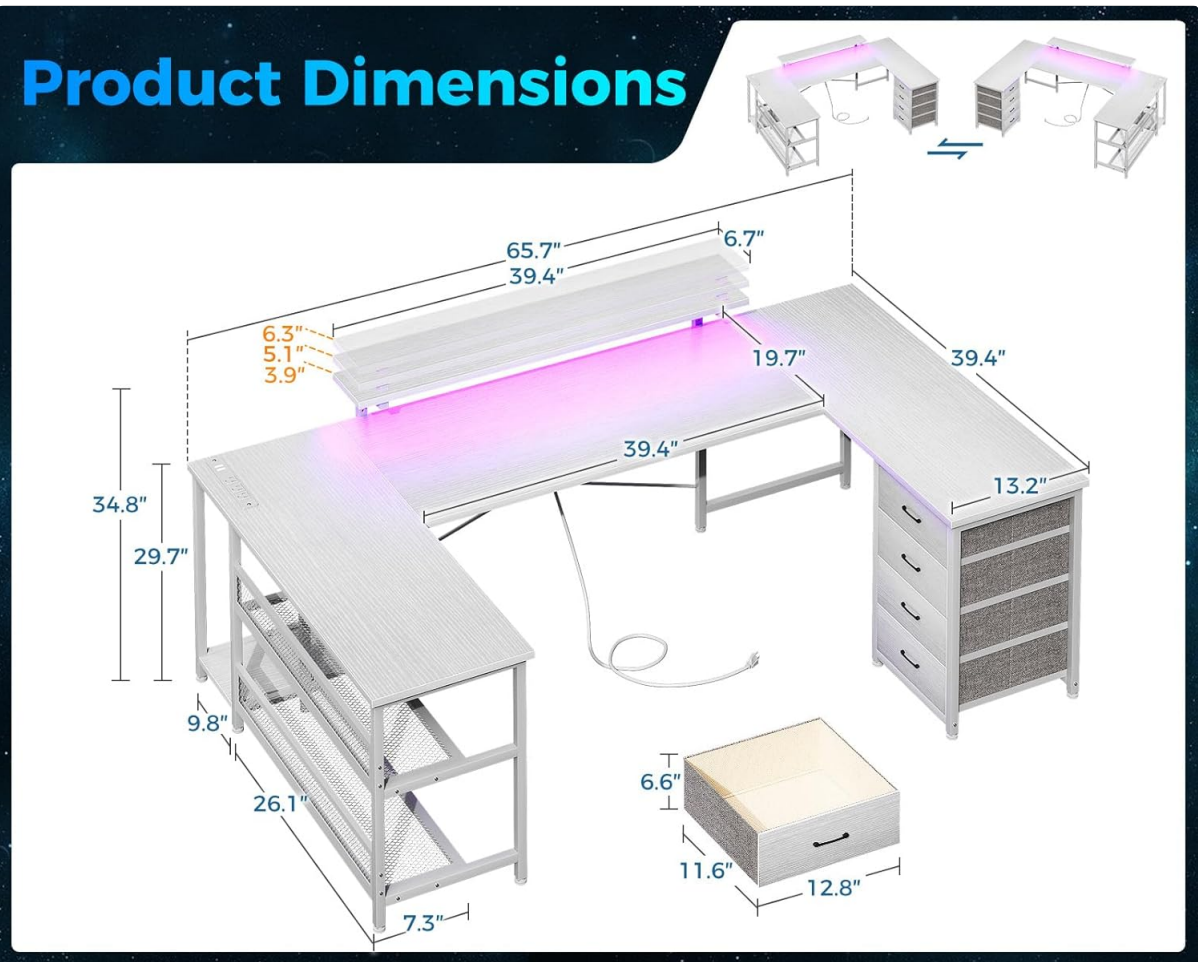


Image 2.6: A detailed diagram showing the overall dimensions of the desk and the three adjustable height settings for the monitor stand (3.9", 5.1", 6.3"), promoting ergonomic posture.

## 3. SETUP AND ASSEMBLY

Assembly of the ODK U Shaped Desk is required. Due to its weight of approximately 67.35 lbs (30.84 kg), it is highly recommended that two people participate in the assembly process to ensure safety and ease of construction. Follow the included step-by-step instructions carefully.

### 3.1 Important Assembly Notes:

- **Two-Person Assembly:** Always assemble with at least two individuals to prevent injury and facilitate handling of heavy components.
- **Reversible Configuration:** Before beginning assembly, decide whether you want the drawer unit on the left or right side of the U-shape. This choice will affect the initial steps of the assembly.
- **Stability:** For enhanced stability, especially with the U-shaped design, consider properly anchoring the desk to a wall if possible.
- **Weight Limits:** Adhere to all specified weight limits for the desktop and shelves to prevent damage or injury.

## 4. OPERATING INSTRUCTIONS

## 4.1 LED Lighting Strip

- **Power On/Off:** Locate the control button or remote for the LED strip. Press to turn on or off.
- **Change Colors/Modes:** Use the control interface to cycle through the 7 available colors and 20 lighting modes.
- **Memory Function:** The LED strip is designed to remember the last selected lighting mode and color when powered off and on again.

## 4.2 Built-in Power Outlets and USB Ports

- **AC Outlets:** Plug in your computer, monitors, or other AC-powered devices into the 3 standard outlets (125V/12A).
- **USB Ports:** Connect your smartphones, tablets, or other USB-powered devices to the 2 USB ports (5V-2A) for charging.
- **Power Cord:** Ensure the 6.6-foot power cord is securely plugged into a wall outlet.

## 4.3 Adjustable Monitor Stand

- The monitor stand can be adjusted to three different heights (3.9", 5.1", 6.3") to achieve an ergonomic viewing level. Refer to the assembly instructions for details on how to adjust the stand's height.

# 5. MAINTENANCE

- **Cleaning:** Wipe surfaces with a soft, damp cloth. Avoid harsh chemicals or abrasive cleaners that may damage the finish.
- **Dusting:** Regularly dust the desk surfaces, including the LED strip and power outlets, to prevent accumulation.
- **Drawer Care:** The fabric drawers can be spot cleaned with a mild detergent if necessary. Ensure they are completely dry before reinserting.
- **Hardware Check:** Periodically check all screws and fasteners to ensure they remain tight. Retighten as needed to maintain stability.

# 6. TROUBLESHOOTING

- **Desk Wobbles:** Ensure all assembly screws are tightened. Verify the desk is on a level surface. Adjust leg levelers if present.
- **LED Lights Not Working:** Check if the power cord for the LED strip is securely connected. Ensure the power outlet is functional. Verify the control button/remote battery if applicable.
- **Power Outlets/USB Ports Not Functioning:** Confirm the main power cord for the desk's power strip is fully plugged into a live wall outlet. Check if the wall outlet itself is working. Avoid overloading the power strip.
- **Drawers Stick/Don't Slide Smoothly:** Ensure the fabric drawers are not overloaded. Check for any obstructions in the drawer slots.

## 7. SPECIFICATIONS

Attribute	Detail
Brand	ODK
Model Number	B02031601002USAN0818A7YUQ5J
Product Dimensions	19.69"D x 65.75"W x 29.72"H
Color	All White
Style	Modern
Base Material	Alloy Steel
Top Material Type	Engineered Wood
Special Feature	Built-In USB Outlet, LED Strip, Monitor Stand
Room Type	Office, Gaming
Mounting Type	Floor Mount
Included Components	Monitor Stand, UPC Stand, Built-in Power Strip with 3-Outlets & 2 USB Ports
Item Weight	30.84 Kilograms (approx. 67.99 lbs)
Number of Drawers	4
Number Of Shelves	2 (open shelves)
Required Assembly	Yes
Recommended Number of People for Assembly	2

## 8. WARRANTY AND SUPPORT

For warranty information and customer support, please refer to the documentation included with your purchase or contact ODK customer service directly. Keep your proof of purchase for any warranty claims.