

## Manuals+

[Q & A](#) | [Deep Search](#) | [Upload](#)

[manuals.plus](#) /

> [gogonova](#) /

> [GoGonova 10000 Lumen Work Light with Stand User Manual](#)

## gogonova 10000 Lumen

# GoGonova 10000 Lumen Work Light with Stand User Manual

Model: 10000 Lumen

Brand: GoGonova

## 1. INTRODUCTION

Thank you for choosing the GoGonova 10000 Lumen Work Light with Stand. This versatile and powerful lighting solution is designed for various applications, offering exceptional brightness and flexibility. Please read this manual carefully before operation to ensure safe and optimal performance and to maximize the lifespan of your device.



Figure 1: GoGonova 10000 Lumen Work Light with Stand

## 2. PRODUCT FEATURES

- **Dual Power Source:** Operates on both AC power and a built-in 4000 mAh rechargeable battery, providing flexibility for various work environments. Includes an 80-inch power cord for stable current when plugged in.
- **High Brightness & Customizability:** Features 3 brightness modes (1500, 5000, and 10000 Lumen) and 2 color temperature modes (4000K warm light and 7000K cold light) to suit different lighting needs.
- **Flexible LED Panels:** Two LED lamp heads support 180° vertical rotation and 280° horizontal rotation, allowing precise light direction.
- **Telescopic Tripod:** Adjustable height from a compact 25 inches to an extended 87 inches, suitable for both low-level and elevated illumination.
- **USB-A Output:** Equipped with a USB-A port for reverse charging, allowing you to power or charge other devices like smartphones.

# Customizability

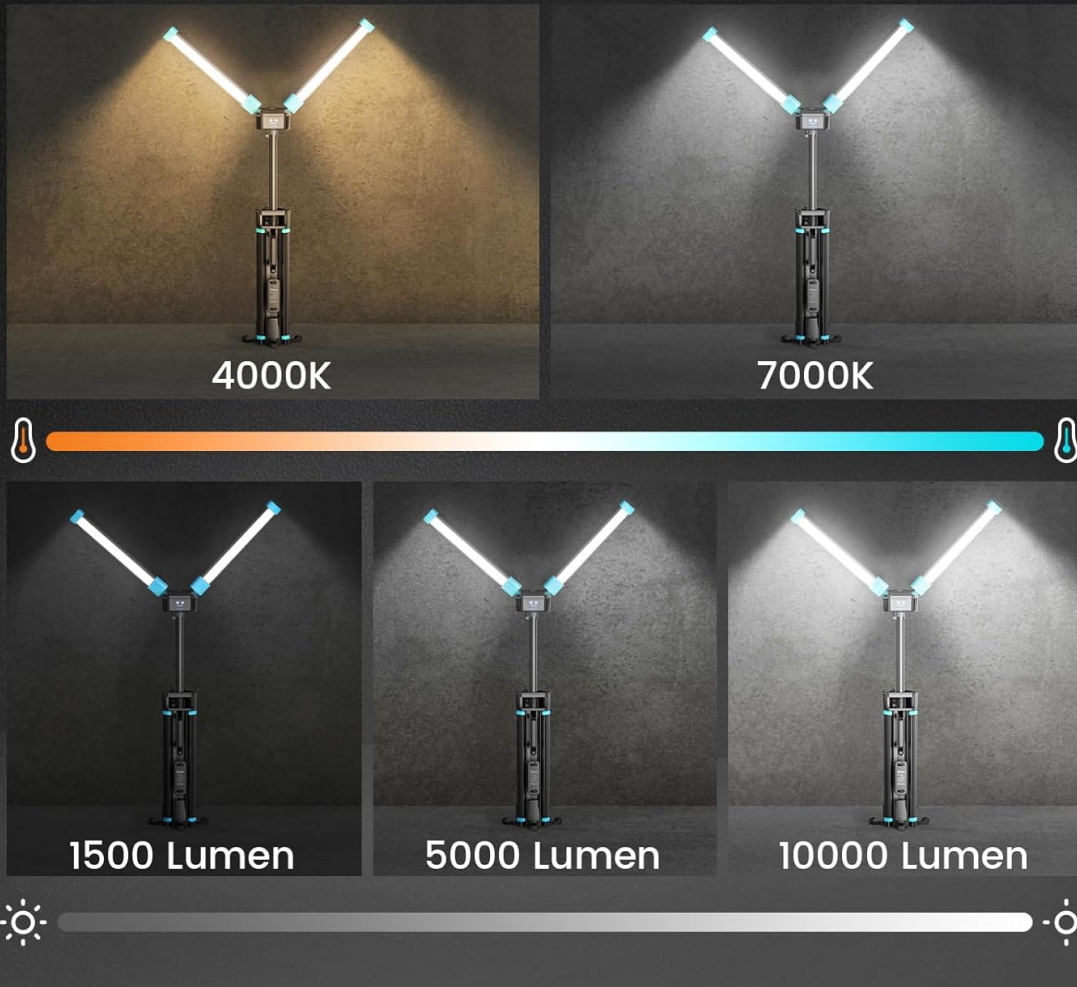


Figure 2: Brightness and Color Temperature Options

# Adjustable Height & Panels

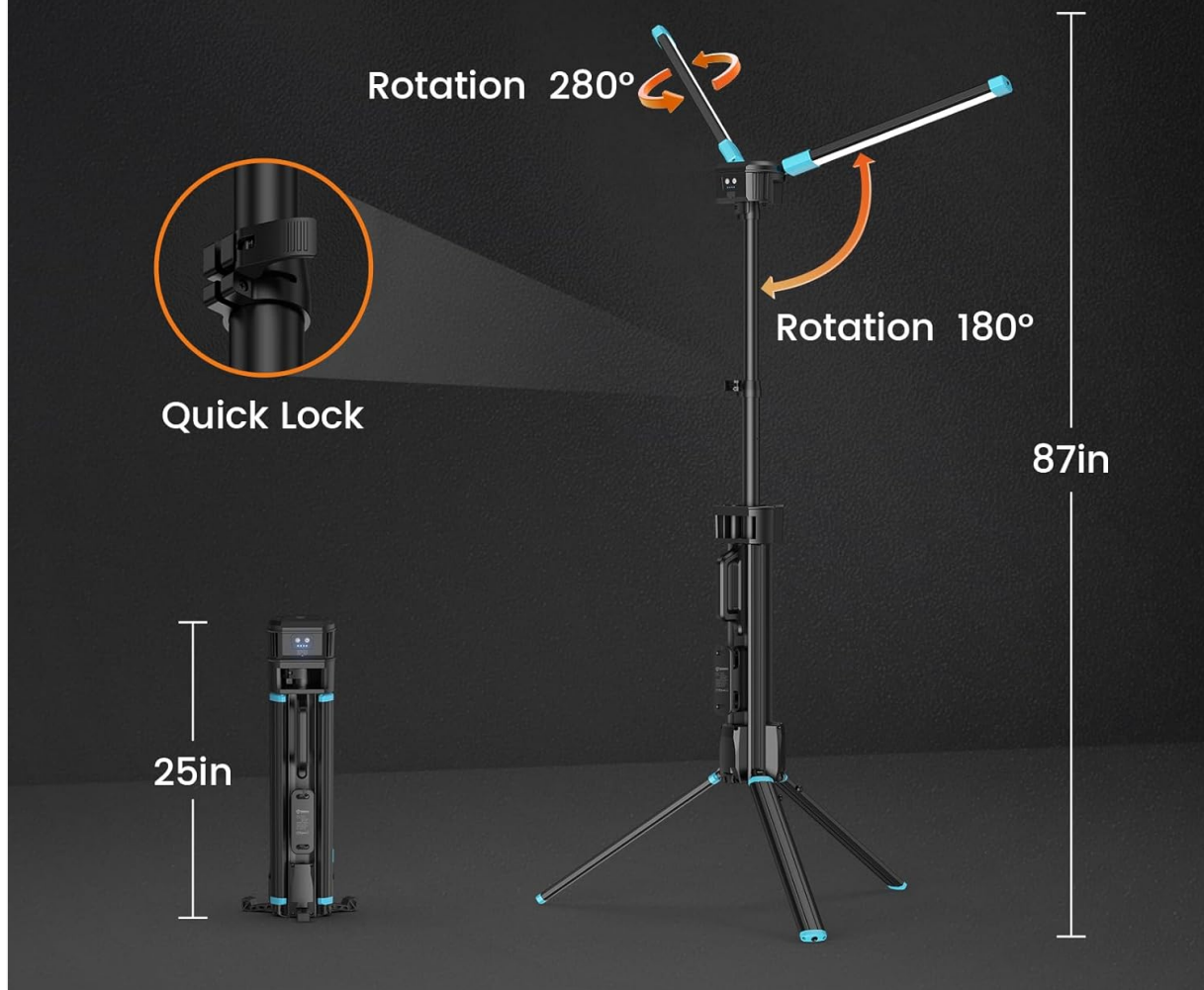


Figure 3: Adjustable Height and Panel Rotation

## 3. SETUP

1. **Unfold the Tripod:** Place the folded work light on a stable, flat surface. Pull out the hidden tripod legs from the base until they are fully extended and stable.
2. **Adjust LED Panels:** Gently rotate the two LED panels outwards. They can be rotated up to 280° horizontally and 180° vertically to achieve your desired lighting angle.
3. **Extend Height:** Loosen the quick lock mechanism on the main pole. Extend the telescopic pole to the desired height, from 25 inches (minimum) to 87 inches (maximum). Securely tighten the quick lock to prevent the pole from collapsing.
4. **Initial Charge:** Before first use, fully charge the work light using the provided AC adapter. Connect the adapter to the charging port on the light and plug it into a standard wall outlet. The battery indicator lights will show charging progress.

For a visual guide on setup and operation, please refer to the official product video below:

*Video 1: GoGonova 87" & 10000 Lumen Work Light with Stand - Setup and Features*

## 4. OPERATING INSTRUCTIONS

1. **Power On/Off:** Press the power button on the control panel to turn the light on or off.

2. **Adjust Brightness:** Press the brightness adjustment button (sun icon) repeatedly to cycle through the 1500 Lumen, 5000 Lumen, and 10000 Lumen settings.
3. **Change Color Temperature:** Press the color temperature button (snowflake/sun icon) to switch between 4000K (warm light) and 7000K (cold light).
4. **USB-A Reverse Charging:** To charge external devices, connect your device's USB cable to the USB-A output port on the work light's control panel. Ensure the work light has sufficient battery charge.
5. **AC Operation:** For continuous and stable power, connect the provided AC adapter to the work light and a wall outlet. This will also charge the internal battery.

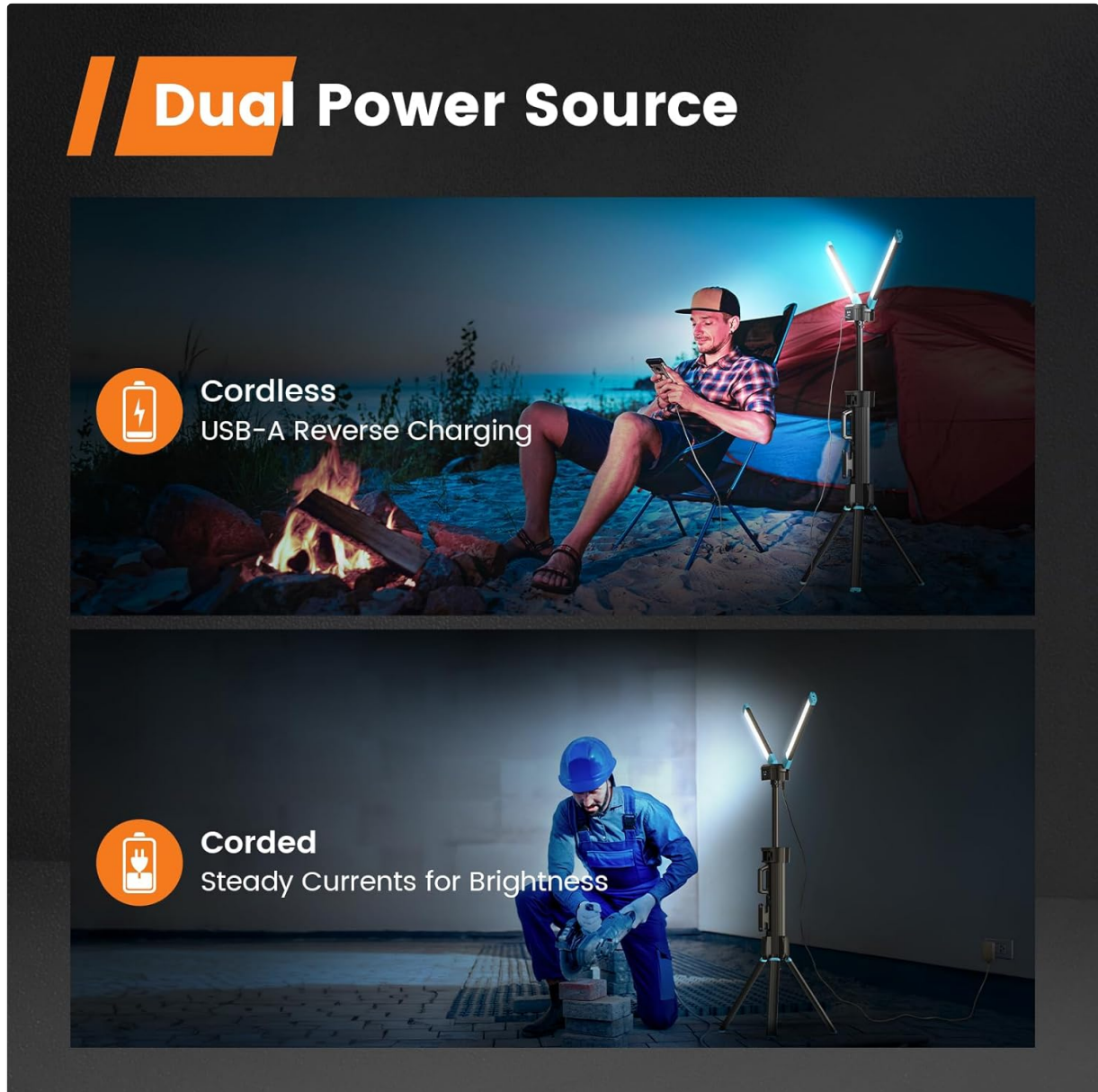


Figure 4: Dual Power Source Operation

# Wide Application



Welding



Workshop



Car Repairing



Camping

Figure 5: Wide Application Scenarios

## 5. MAINTENANCE

- **Cleaning:** Wipe the surface of the work light with a soft, damp cloth. Do not use abrasive cleaners or solvents, as they may damage the finish. Ensure the light is off and unplugged before cleaning.
- **Battery Care:** To prolong battery life, fully charge the work light before its first use. If storing the light for an extended period, charge it every 3-6 months to prevent deep discharge.
- **Storage:** Store the work light in a cool, dry place away from direct sunlight and extreme temperatures. Ensure the tripod legs are folded and secured for compact storage.

## 6. TROUBLESHOOTING

- **Light Not Turning On:**
  - Check if the battery is charged. Connect to AC power to verify.
  - Ensure the power button is pressed firmly.
- **Light is Dim or Flickering:**
  - The battery may be low. Connect to AC power for continuous operation and charging.
  - Ensure the correct brightness mode is selected.

- **Tripod Instability:**

- Ensure all three tripod legs are fully extended and locked into place.
- Verify the quick lock mechanism for height adjustment is securely tightened.
- Place the light on a flat, level surface.

- **USB-A Charging Not Working:**

- Check the work light's battery level; it needs sufficient power to charge external devices.
- Ensure the USB cable is properly connected to both the work light and your device.

## 7. SPECIFICATIONS

Feature	Specification
Manufacturer	GoGonova
Model	10000 Lumen Work Light
Item Weight	15.12 pounds
Package Dimensions	27 x 8.5 x 6.5 inches
Batteries	1 Lithium Ion battery required (included)
Size (Height)	Adjustable from 25 inches to 87 inches
Color	Black
Power Source	Battery-Powered / AC (Dual Power)
Type of Bulb	LED
Mounting Type	Tripod
Included Components	Cordless Work Light, AC Adapter
Brightness Modes	1500 / 5000 / 10000 Lumen
Color Temperature	4000K / 7000K