



[Manuals.plus](#) /

> [WORKPRO](#) /

> WORKPRO 60-inch Adjustable Workbench W082055A Instruction Manual

## WORKPRO W082055A

# WORKPRO 60-inch Adjustable Workbench Instruction Manual

Model: W082055A

Brand: WORKPRO

## 1. INTRODUCTION AND OVERVIEW

---

Thank you for choosing the WORKPRO 60-inch Adjustable Workbench. This heavy-duty workstation is designed for versatility and durability, featuring a robust rubber wood top, a sturdy steel frame, and an integrated power strip. It is suitable for various applications in workshops, garages, offices, or homes, providing a reliable surface for a wide range of projects. This manual provides essential information for safe assembly, operation, and maintenance of your workbench.

# 2000 LBS

## MAX CAPACITY



*Image 1.1: The WORKPRO workbench in use, highlighting its 2000 LBS maximum load capacity.*

## 2. SAFETY INSTRUCTIONS

---

Please read and understand all safety instructions before assembling or operating this workbench. Failure to follow these instructions may result in injury or damage to the product.

- **Read the Manual:** Always read and understand the entire instruction manual before assembly and use.
- **Weight Capacity:** Do not exceed the maximum load capacity of 2000 LBS (907 kg). Distribute weight evenly across the workbench surface.
- **Stable Surface:** Ensure the workbench is assembled on a flat, stable, and level surface. Adjust the foot pads as necessary to prevent wobbling.
- **Electrical Safety:** The integrated power strip is ETL certified. Do not overload the outlets. Ensure all connected tools and devices are in good working condition and have appropriate power requirements. Do not use in wet conditions.
- **Assembly:** Assemble the workbench according to the instructions. Ensure all fasteners are securely tightened before use.
- **Children and Pets:** Keep children and pets away from the workbench during assembly and operation.

- **Maintenance:** Regularly inspect the workbench for any signs of damage, loose fasteners, or wear. Address any issues promptly.

### 3. PACKAGE CONTENTS

---

Carefully unpack all components and verify that you have received all items listed below. If any parts are missing or damaged, please contact customer support before proceeding with assembly.

- Workbench Top (Rubber Wood)
- Leg Frames (Steel)
- Crossbars/Braces
- Integrated Power Strip
- Adjustable Foot Pads
- Assembly Hardware (Screws, bolts, washers, nuts)
- Instruction Manual

**Note:** The workbench may be shipped in multiple packages that could arrive at different times. Please ensure all packages have been received before beginning assembly.

### 4. SETUP AND ASSEMBLY

---

Assembly typically requires a drill or screw gun for efficient installation of wood screws. Follow these steps carefully:

1. **Prepare Workspace:** Clear a spacious, level area for assembly. Lay out all components and hardware.
2. **Attach Leg Frames:** Secure the leg frames to the workbench top. Ensure proper alignment. While some units may have alignment stickers, it is recommended to measure and center the leg frames for optimal stability.
3. **Install Crossbars/Braces:** Attach the crossbars and braces between the leg frames. Ensure all connections are firm. If a slight gap exists between the brace and the tabletop, shims can be used to ensure the tabletop remains perfectly straight when screws are tightened.
4. **Secure Power Strip:** Mount the integrated power strip to the designated location on the workbench frame.
5. **Adjust Foot Pads:** Screw the adjustable foot pads into the bottom of each leg. These can be adjusted to level the workbench on uneven floors.
6. **Final Tightening:** Once all components are in place, re-check and securely tighten all screws and bolts. Do not overtighten.



Image 4.1: Workbench top with protective coating and integrated power strip.

## 5. OPERATING INSTRUCTIONS

---

### 5.1 Height Adjustment

The WORKPRO workbench offers three adjustable height settings to suit various tasks and user preferences. To adjust the height:

1. **Clear the Workbench:** Remove all items from the workbench surface before attempting to adjust the height.
2. **Locate Adjustment Pins:** Identify the height adjustment pins on each leg frame.
3. **Adjust Height:** Carefully lift or lower the workbench top to align the pins with the desired height holes. The available heights are approximately 31-1/2 inches, 35-7/16 inches, and 39-3/8 inches.
4. **Secure Pins:** Ensure the adjustment pins are fully engaged and secured in the chosen height settings on all four legs before placing any weight on the workbench.

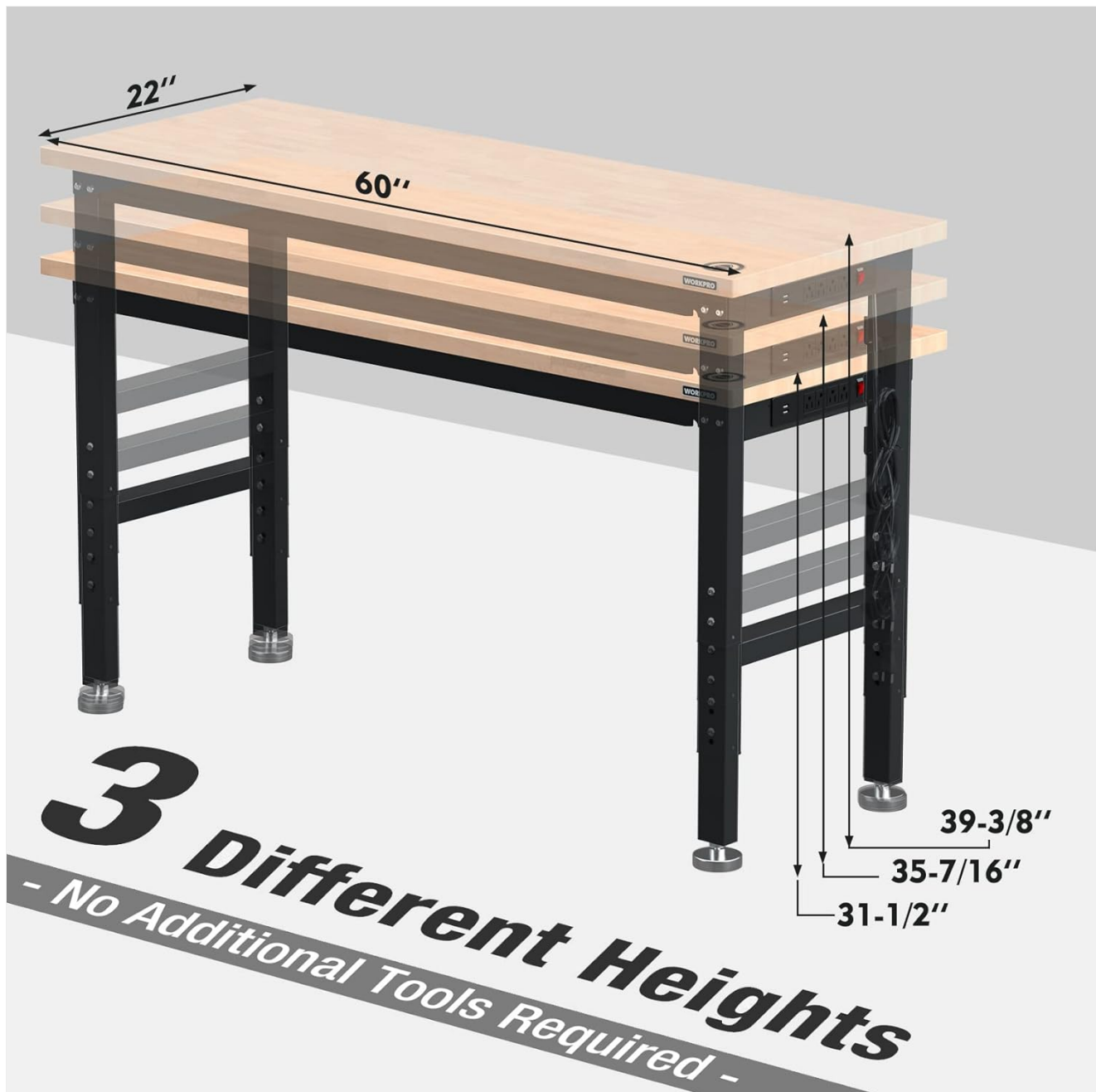


Image 5.1: Workbench illustrating the three adjustable height options.

## 5.2 Integrated Power Outlets

The workbench is equipped with an ETL-certified power strip for convenient access to electricity. It includes:

- 4 AC Outlets
- 2 USB-A Ports

To use, simply plug the workbench's power cord into a suitable wall outlet. Ensure the power strip is not overloaded by connecting too many high-power devices simultaneously. Always follow electrical safety guidelines.

## 6. MAINTENANCE

Proper maintenance will extend the life and performance of your WORKPRO workbench.

- **Cleaning the Top:** The rubber wood top has a transparent protective coating. Clean the surface with a damp cloth and mild detergent. Avoid abrasive cleaners or harsh chemicals that could damage the finish.
- **Fastener Check:** Periodically inspect all bolts, screws, and connections to ensure they remain tight. Re-tighten as

necessary to maintain stability.

- **Surface Protection:** While the wood top is durable, consider using protective mats or pads when working with sharp tools, heavy objects, or liquids that could stain or scratch the surface.
- **Electrical Inspection:** Regularly check the power cord and outlets for any signs of damage or wear. Discontinue use if any damage is found and contact a qualified electrician for repair.

## 7. TROUBLESHOOTING

---

If you encounter issues with your workbench, refer to the following common problems and solutions:

- **Workbench is Wobbly:**
  - Ensure all assembly fasteners are securely tightened.
  - Adjust the foot pads on each leg to compensate for uneven floor surfaces.
  - Verify that the height adjustment pins are fully engaged in their respective holes on all legs.
- **Tabletop Not Perfectly Straight:**
  - Minor variations can occur. If critical flatness is required, ensure the leg frames are perfectly aligned during assembly. Shims can be placed between the angle braces and the tabletop if needed to achieve a flatter surface.
- **Power Outlets Not Working:**
  - Check if the workbench's main power cord is securely plugged into a functional wall outlet.
  - Ensure the power strip's circuit breaker (if present) has not tripped.
  - Test the wall outlet with another device to confirm it is supplying power.
  - Avoid overloading the power strip with too many high-wattage devices.

## 8. SPECIFICATIONS

---

Feature	Specification
Brand	WORKPRO
Model Number	W082055A
Workbench Dimensions (L x W)	60 inches x 22 inches (152.4 cm x 55.88 cm)
Adjustable Height Range	31-1/2 inches to 39-3/8 inches (80 cm to 100 cm)
Maximum Load Capacity	2000 LBS (907 kg)
Tabletop Material	Rubber Wood with Transparent Protective Coating
Frame Material	Steel
Power Strip	4 AC Outlets, 2 USB-A Ports
Power Strip Certification	ETL Certified
Assembly Required	Yes

## 9. WARRANTY AND SUPPORT

---

For warranty information or technical support, please refer to the product packaging or contact WORKPRO customer service directly. Keep your purchase receipt as proof of purchase.

**Customer Service Contact:** Please visit the official WORKPRO website or refer to the contact information provided with your product for assistance.