



Manuals.plus /

› [vidaXL](#) /

› [vidaXL Sonoma Oak Sideboard \(Model 819679\) Instruction Manual](#)

vidaXL 819679

vidaXL Sonoma Oak Sideboard (Model 819679) Instruction Manual

1. PRODUCT OVERVIEW

The vidaXL Sonoma Oak Sideboard, Model 819679, is an elegant and practical storage solution designed for various environments. Constructed from high-quality engineered wood, it offers exceptional robustness, stability, and resistance to moisture. The sideboard features solid eucalyptus wood feet, two drawers, and two compartments with doors, providing ample space to keep your essentials organized and easily accessible. Its versatile design makes it suitable for use in bedrooms, living rooms, hallways, offices, dining rooms, or even as a bathroom or kitchen cabinet.



Figure 1: Assembled vidaXL Sonoma Oak Sideboard, front view, showcasing its design and storage capabilities.

2. SAFETY INFORMATION

SAFETY WARNING: Always follow the provided assembly instructions carefully. Ensure all components are securely fastened before use. Do not overload the drawers or compartments. Place the sideboard on a flat, stable surface to prevent tipping. Keep small parts and packaging materials away from children.

3. PACKAGE CONTENTS

Before beginning assembly, verify that all parts listed below are present and undamaged. If any parts are missing or damaged, please contact customer support.

- Engineered wood panels (top, bottom, sides, back, shelves, drawer fronts, door panels)
- Solid eucalyptus wood feet
- Drawer slides and handles
- Door hinges and handles
- Assembly hardware (screws, dowels, cam locks, etc.)
- Assembly tool (e.g., Allen key)
- Instruction manual

4. ASSEMBLY INSTRUCTIONS

Assembly typically requires two people. Lay out all components on a soft, clean surface to prevent scratches. Follow the numbered steps in the included assembly guide for detailed instructions.

1. **Prepare Panels:** Identify all engineered wood panels. Attach dowels and cam lock studs to the designated holes on the side panels, top, and bottom panels as per the assembly diagram.
2. **Assemble Frame:** Connect the side panels to the bottom panel using cam locks. Secure the back panel into the grooves. Attach the top panel to complete the main frame.
3. **Install Feet:** Securely attach the solid eucalyptus wood feet to the bottom of the sideboard using the provided screws. Ensure they are tightened for stability.
4. **Assemble Drawers:** Construct the drawer boxes by connecting the side, front, and back panels. Install the drawer bottoms. Attach the drawer slides to the sides of the drawers and the corresponding positions inside the sideboard.
5. **Install Doors:** Attach the door hinges to the door panels and then to the sideboard frame. Adjust hinges for proper door alignment.
6. **Attach Handles:** Fasten the handles to the drawer fronts and door panels.
7. **Final Checks:** Ensure all screws and fasteners are tight. Check for stability and proper alignment of drawers and doors.

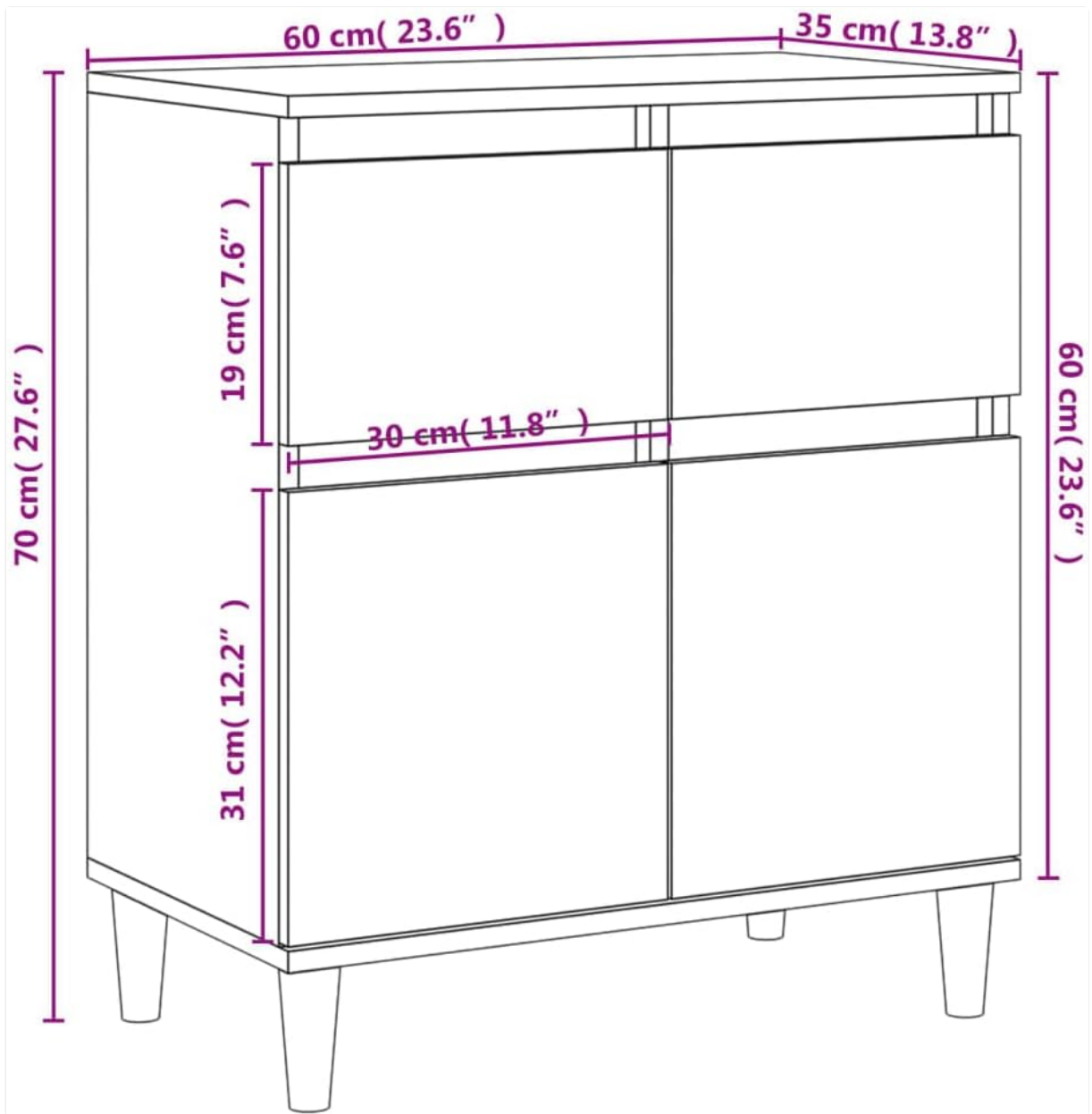


Figure 2: Dimensional drawing of the sideboard, showing overall dimensions (60 cm width, 35 cm depth, 70 cm height) and internal compartment sizes.



Figure 3: Sideboard with drawers and doors open, illustrating the internal storage layout and drawer mechanism.

5. OPERATING INSTRUCTIONS

This sideboard is designed for general storage purposes. Use the two drawers for smaller items and the two compartments with doors for larger objects. Ensure items are distributed evenly to maintain stability. Avoid placing excessively heavy items on the top surface or inside the drawers/compartments.



Figure 4: The sideboard with open drawers and doors, demonstrating its capacity for storing items like dishes.

6. MAINTENANCE

To ensure the longevity and appearance of your vidaXL Sonoma Oak Sideboard, follow these maintenance guidelines:

- **Cleaning:** Wipe surfaces with a soft, damp cloth. Avoid abrasive cleaners or harsh chemicals, as they can damage the engineered wood finish.
- **Spills:** Immediately wipe up any spills to prevent moisture damage or staining.
- **Sunlight:** Avoid prolonged exposure to direct sunlight, which can cause fading or discoloration.
- **Heat:** Do not place hot items directly on the surface. Use coasters or protective pads.
- **Hardware:** Periodically check and tighten all screws and fasteners to maintain structural integrity.

7. TROUBLESHOOTING

- **Wobbly Sideboard:** Ensure the sideboard is placed on a level surface. Check that all feet are securely attached and all assembly hardware is tightened. Adjust feet if necessary.
- **Drawers Not Sliding Smoothly:** Verify that the drawer slides are correctly installed and aligned. Ensure no obstructions are present in the drawer tracks. Lubricate slides with a silicone-based spray if needed.
- **Doors Not Closing Properly:** Check the door hinges for proper installation and alignment. Adjust the hinge screws to align the doors. Ensure no items inside the cabinet are blocking the doors from closing.

8. SPECIFICATIONS

Feature	Detail
Brand	vidaXL
Model Number	819679
Color	Sonoma Oak
Material	Engineered Wood, Solid Eucalyptus Wood (feet)
Product Dimensions (L x W x H)	60 x 35 x 70 cm (23.6 x 13.8 x 27.6 inches)
Item Weight	19.95 kg (approximately 20 Kilograms)
Special Features	Engineered wood construction, ample storage space, eucalyptus wood feet
Storage	2 Drawers, 2 Compartments with Doors

9. WARRANTY AND SUPPORT

For warranty information, product support, or to report missing/damaged parts, please refer to the contact details provided with your purchase or visit the official vidaXL website. Keep your proof of purchase for any warranty claims.