

[Manuals.plus](#) /

> [ARCORA](#) /

> ARCORA Wall Mount Pot Filler Faucet Model 2315900-US-B Instruction Manual

ARCORA 2315900-US-B

ARCORA Wall Mount Pot Filler Faucet

Model: 2315900-US-B

Brand: ARCORA

INTRODUCTION

This manual provides detailed instructions for the installation, operation, maintenance, and troubleshooting of your ARCORA Wall Mount Pot Filler Faucet. Please read this manual thoroughly before installation and use to ensure proper function and longevity of the product. Retain this manual for future reference.

PRODUCT FEATURES

- **Premium Brass Material:** Constructed from eco-friendly solid brass for durability and reliability. Designed for cold water delivery only.
- **High Flow Rate:** Features an aerator with a 1.8 GPM flow rate, compliant with California water efficiency regulations, providing a soft, non-splashing stream. An additional 4 GPM aerator is included for faster filling.
- **Flexible Design:** The folding faucet includes a 23.6-inch foldable swing arm that retracts when not in use, offering a space-saving solution. Dual 360-degree swing joints allow for flexible positioning, suitable for up to 6-burner kitchen countertops.
- **Standard Connection:** Equipped with standard 1/2 NPT threads. A brass connector (1/2" NPS to 1/2" NPT) is provided for secure installation.



Image: The ARCORA Wall Mount Pot Filler Faucet installed above a stove in a contemporary kitchen.

WHAT'S INCLUDED

The product package contains the following components:

- Pot Filler Faucet
- Accessory Kit (rubber plug, sealing waterproof tape, screws, six-pin wrench)
- Installation Adapter
- Base
- Manual
- Extra 4 GPM Aerator
- NPT 1/2" to G 1/2" Brass Connector
- Teflon Tape
- Hex Key
- Wrench

- Screw & Fischer Nylon Anchor

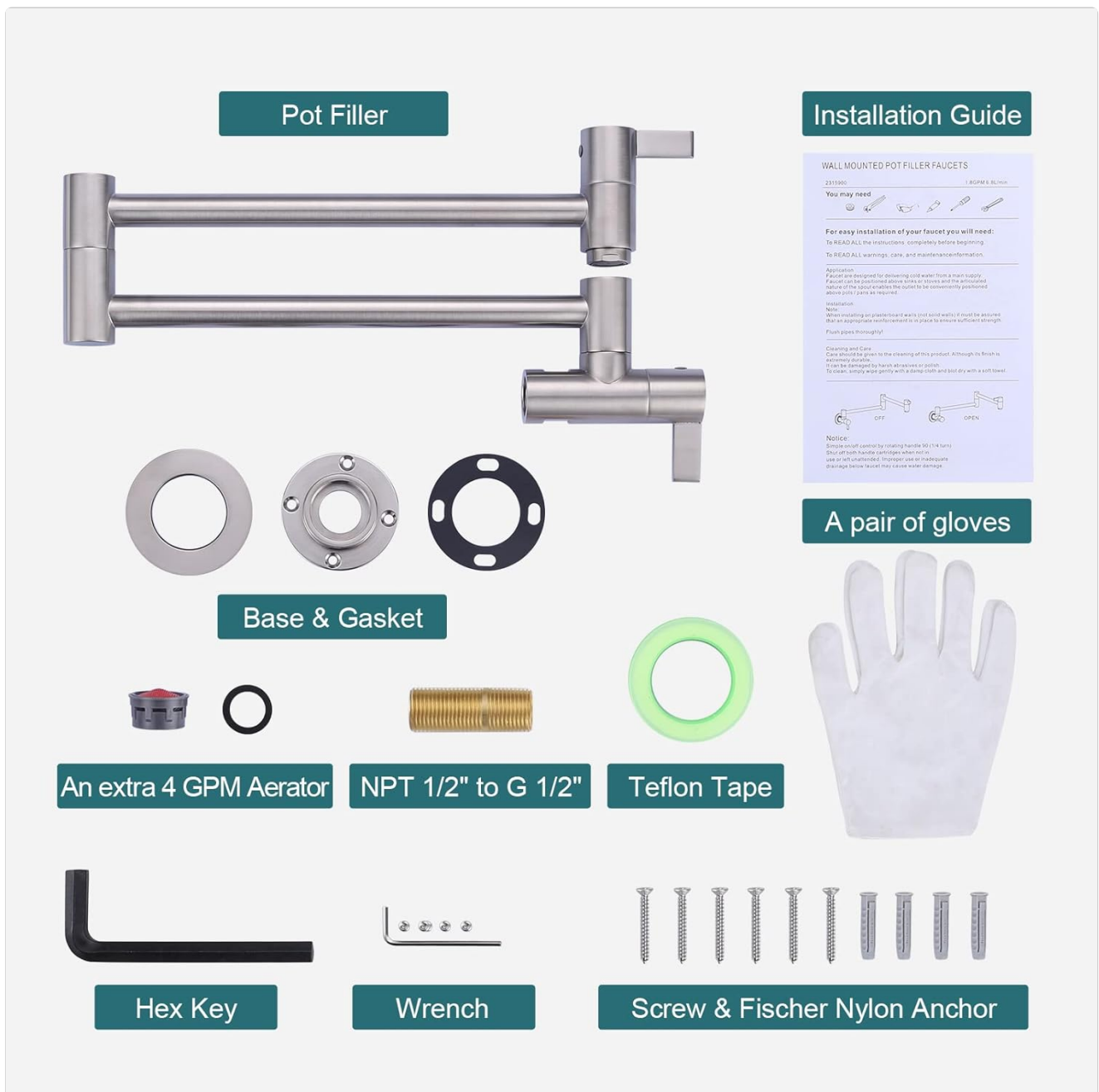


Image: All components included in the ARCORA Pot Filler Faucet package.

SETUP AND INSTALLATION

Professional installation is recommended. Ensure all local plumbing codes are followed. Turn off the main water supply before beginning installation.

Installation Steps:

1. **Prepare the Wall Connection:** Ensure you have a properly installed 1/2 NPT water supply line in the wall at the desired location above your stove.
2. **Install the Brass Pipe Fitting:** The brass pipe fitting is 2.2 inches long. The short thread side (NPT 1/2) connects to the wall, and the long thread side (G1/2) connects to the faucet. Apply Teflon tape to the threads and screw the fitting into the wall connection.
3. **Mount the Base:** Position the faucet base over the brass pipe fitting. Mark the positions for the expansion screws. Drill holes using an electric drill. Insert the Fischer nylon anchors into the drilled holes. Secure the base to the wall using the provided screws.

4. **Attach the Faucet:** Connect the pot filler faucet to the brass pipe fitting and the mounted base. Ensure a tight and secure connection.
5. **Secure the Faucet to the Flange:** Screw in the set screw by using a 1.5mm Allen wrench to fasten the pot filler to the flange. Make sure the faucet doesn't wobble or tilt.
6. **Test for Leaks:** Turn on the main water supply and check all connections for leaks.



Image: Detailed installation diagram for the pot filler faucet.

Video: An official ARCORA video demonstrating the installation process for a pot filler faucet.

OPERATING INSTRUCTIONS

The ARCORA Pot Filler Faucet is designed for ease of use with its dual swing arms and two control handles.

1. **Extend the Faucet:** Gently pull the faucet arm away from the wall and position it over your pot or cooking vessel. The dual 360-degree swing joints allow for flexible reach across your stove.
2. **Turn On Water:** The faucet has two handles for water control. Turn the handle closest to the wall to open the main water supply. Then, turn the handle at the end of the spout to start the water flow.
3. **Adjust Water Flow:** The water flow can be adjusted by turning the handle at the end of the spout. For faster filling, ensure the 4 GPM aerator is installed.
4. **Turn Off Water:** To stop the water flow, turn off both handles. This ensures the water supply is completely shut off and prevents accidental drips.
5. **Retract the Faucet:** Once done, fold the faucet arm back against the wall to save space.



Image: The pot filler faucet in use, demonstrating its reach and water flow.

DUAL 360°

• Swing Joints for flexible positioning •

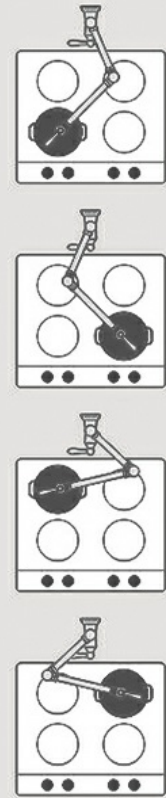


Image: Illustration of the dual 360-degree swing joints for flexible positioning.

Video: An official ARCORA video showcasing the pot filler faucet in operation over a stove.

MAINTENANCE

Regular maintenance will help preserve the finish and functionality of your ARCORA Pot Filler Faucet.

- **Cleaning:** Clean the faucet regularly with a soft cloth and mild soap. Avoid abrasive cleaners, harsh chemicals, or scouring pads, as these can damage the finish.
- **Aerator Maintenance:** Periodically unscrew the aerator from the spout and clean any mineral deposits or debris. This helps maintain optimal water flow.
- **Joint Lubrication:** The swing joints are designed for smooth operation. If movement becomes stiff, a small amount of food-grade silicone lubricant can be applied to the moving parts.
- **Leak Prevention:** Always ensure both handles are fully closed after use to prevent drips and potential leaks.

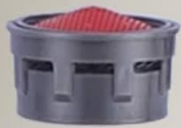


DRIP-FREE BRASS CARTRIDGE

Seals tightly to ensure long-term use without dripping or leaking



Solid Brass Material



AERATOR

Soft and non-splashing
An extra aerator (4 GPM) for fast filling

Image: Internal components of the faucet, highlighting the drip-free brass cartridge and aerator.

TROUBLESHOOTING

If you encounter issues with your pot filler faucet, refer to the following common solutions:

Problem	Possible Cause	Solution
Water drips from spout	Handles not fully closed; Worn cartridge	Ensure both handles are completely closed. If dripping persists, the internal cartridge may need replacement.
Low water flow	Clogged aerator; Partially closed water supply	Remove and clean the aerator. Ensure both faucet handles and the main water supply are fully open.
Faucet wobbles or tilts	Loose mounting screws	Tighten the set screw on the flange using the 1.5mm Allen wrench. Check and tighten mounting screws on the base if necessary.

Problem	Possible Cause	Solution
Water leaks from base connection	Improperly sealed threads; Loose connection	Turn off water supply. Disassemble and reapply Teflon tape to threads, ensuring a tight connection. Consult a professional plumber if needed.

SPECIFICATIONS

Feature	Detail
Brand	ARCORA
Model Name	2315900-US-B
Mounting Type	Wall Mount
Material	Brass
Finish Type	Brushed Nickel
Number of Handles	2
Hole Count	1 Unit
Special Feature	360 Swivel
Maximum Flow Rate	1.8 Gallons Per Minute (GPM), includes extra 4 GPM aerator
Spout Reach	23.6 Inches
Product Dimensions	19 x 13 x 8 inches
Item Weight	3.52 pounds

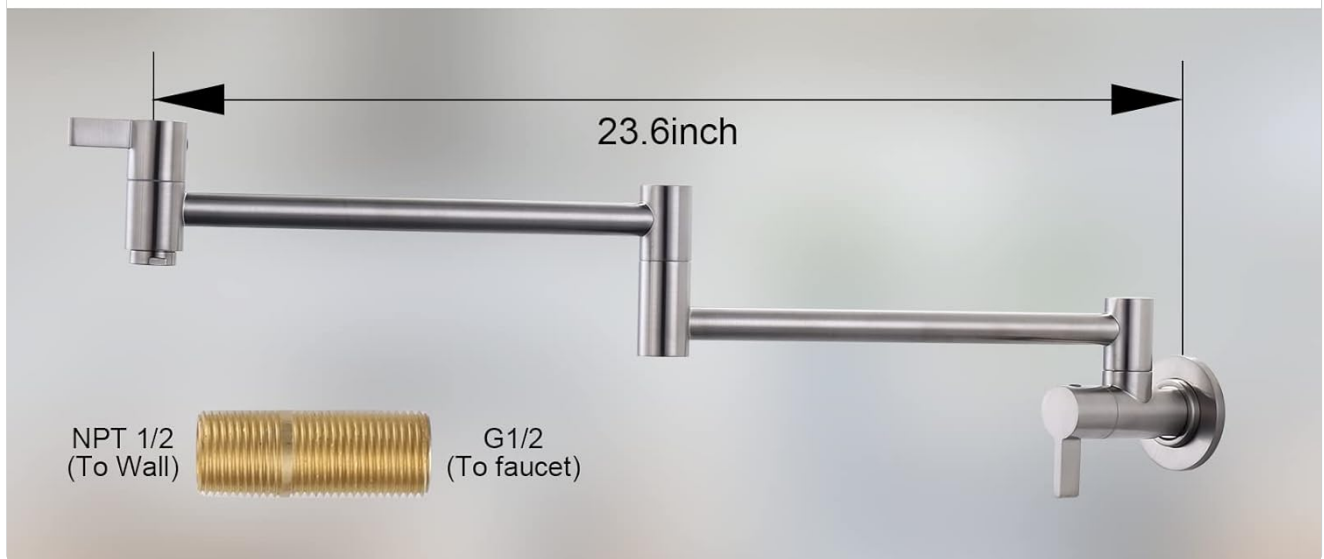


Image: Dimensional drawing of the pot filler faucet.

WARRANTY AND SUPPORT

ARCORA products come with a limited warranty. For specific warranty details, please refer to the warranty card included in your product packaging or visit the official ARCORA website.

For technical support, replacement parts, or any inquiries regarding your ARCORA Pot Filler Faucet, please contact ARCORA customer service through their official channels. Contact information can typically be found on the product packaging or the brand's website.