

Manuals+

[Q & A](#) | [Deep Search](#) | [Upload](#)

manuals.plus /

- › [IKEA](#) /
- › [IKEA BISSA Shoe Cabinet Instruction Manual - 2 Compartments, White, 49x28x93 cm](#)

IKEA IK.705.302.56

IKEA BISSA Shoe Cabinet Instruction Manual

Model: IK.705.302.56 | 2 Compartments, White, 49x28x93 cm

1. PRODUCT OVERVIEW

The IKEA BISSA shoe cabinet is designed to provide a practical and space-saving solution for shoe storage in your home. This model features two compartments, offering efficient organization for multiple pairs of shoes. Its compact design makes it suitable for hallways and smaller spaces.





Figure 1.1: Front view of the IKEA BISSA shoe cabinet, white finish.



Figure 1.2: The IKEA BISSA shoe cabinet integrated into a hallway environment, demonstrating its compact footprint.

2. SAFETY INFORMATION

Important: Furniture must be securely fastened to the wall with the included anti-tip device to prevent it from tipping over. Different wall materials require different types of fastening devices. Use fastening devices suitable for the walls in your home (not included).

- Always follow the assembly instructions carefully.
- Do not allow children to climb on or play with the furniture.
- Ensure all screws and fittings are tightened securely before use and periodically check for tightness.
- Avoid placing heavy objects on top of the cabinet that could cause instability.

3. SETUP (ASSEMBLY)

This product is delivered as a flat-pack and requires assembly. Please ensure you have sufficient space and the

necessary tools before beginning. Refer to the graphical assembly instructions provided with your product packaging for detailed, step-by-step guidance.

3.1 Required Tools (Not Included)

- Screwdriver (Phillips head recommended)
- Hammer (for dowels, if applicable)
- Drill (for wall mounting, if applicable)
- Level

3.2 General Assembly Steps

1. Unpack all components and verify against the parts list in the assembly guide.
2. Assemble the main frame of the cabinet according to the instructions, ensuring all panels are correctly oriented.
3. Install the drawer runners and compartment mechanisms.
4. Attach the back panel.
5. Install the two shoe compartments.
6. **Crucial Step:** Secure the cabinet to the wall using the provided anti-tip device and appropriate wall fasteners for your wall type. This prevents tipping and ensures stability.

4. OPERATING (USAGE)

The BISSA shoe cabinet is designed for storing shoes. Each of the two compartments can be opened by pulling the front panel outwards and downwards. This reveals a tilted shelf structure where shoes can be placed.

- Place shoes with the toes pointing inwards for optimal space utilization.
- The compartments are designed to accommodate various shoe sizes, but very high boots may not fit.
- Avoid overloading the compartments, as this can hinder smooth operation and potentially damage the mechanism.



Figure 4.1: The shoe cabinet with both compartments open, illustrating how shoes are stored.

5. MAINTENANCE

Proper care will ensure the longevity and appearance of your BISSA shoe cabinet.

5.1 Cleaning

- Wipe clean with a cloth dampened in a mild cleaner.
- Wipe dry with a clean cloth.
- Avoid using abrasive cleaners or harsh chemicals, as these can damage the surface finish.

5.2 General Care

- Periodically check all assembly fittings and re-tighten if necessary.
- Ensure the cabinet is not exposed to excessive moisture or direct sunlight for prolonged periods.

6. TROUBLESHOOTING

6.1 Compartments Not Closing Properly

- **Issue:** Compartments do not close flush or are difficult to close.
- **Solution:** Check for obstructions inside the compartment (e.g., shoes too large or misplaced). Ensure all assembly screws for the compartment mechanism are securely tightened.

6.2 Cabinet Feels Unstable

- **Issue:** The cabinet wobbles or feels unstable.
- **Solution:** Verify that the cabinet is securely fastened to the wall using the anti-tip device. Check that all assembly screws are fully tightened. Ensure the cabinet is placed on a level surface.

7. SPECIFICATIONS

IKEA BISSA Shoe Cabinet - Model IK.705.302.56

Feature	Detail
Brand	IKEA
Model Number	IK.705.302.56
Color	White
Dimensions (Width x Depth x Height)	49 cm (W) x 28 cm (D) x 93 cm (H)
Number of Compartments	2
Special Feature	Storage, Wall-mountable (anti-tip device included)
Product Use	Shoe storage

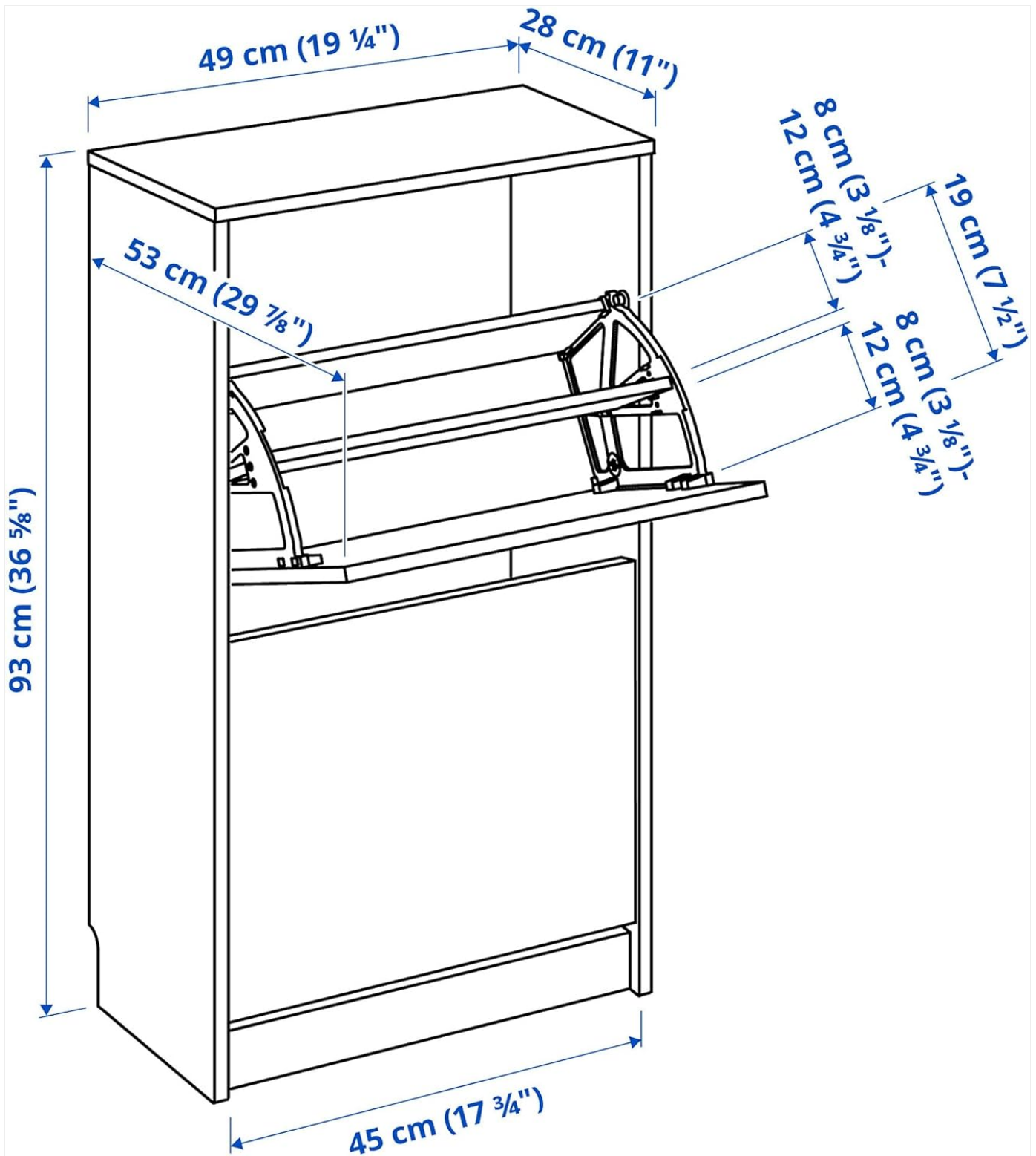


Figure 7.1: Detailed dimensional drawing of the IKEA BISSA shoe cabinet, showing key measurements in centimeters and inches.

8. WARRANTY AND SUPPORT

For information regarding warranty coverage, please refer to the specific warranty documentation provided at the time of purchase or visit the official IKEA website for your region. For customer support, assembly assistance, or to report missing/damaged parts, please contact IKEA customer service directly.

Online Resources: www.ikea.com

