

[Manuals.plus](#) /

> [Ikea](#) /

> IKEA NÄMMARÖ Outdoor Reclining Folding Chair User Manual

Ikea IK.505.103.01

User Manual: IKEA NÄMMARÖ Outdoor Reclining Folding Chair

Model: IK.505.103.01

PRODUCT OVERVIEW

The IKEA NÄMMARÖ outdoor reclining folding chair is designed to create a comfortable lounge atmosphere in your outdoor space. This versatile chair is suitable for balconies, terraces, or gardens, offering flexibility and ease of use.

Key Features:

- Foldable design for easy storage and transport.
- Reclining functionality for adjustable comfort.
- Constructed from durable, light brown stained wood, suitable for outdoor use.
- Part of the NÄMMARÖ series, designed for outdoor living.



Figure 1: The IKEA NÄMMARÖ outdoor reclining folding chair in its upright, assembled position. This image showcases the light brown stained wood and slatted design of the seat and backrest.



Figure 2: The NÄMMARÖ chair shown with an added cushion, placed in an outdoor patio setting. This demonstrates how the chair can be used to create a comfortable and inviting outdoor lounge area.



Figure 3: A close-up view of the NÄMMARÖ chair, highlighting the quality of the light brown stained wood and the construction details, including the metal hardware used for the folding and reclining mechanisms.

SAFETY INFORMATION

Please read and understand all safety warnings before using the product.

- **Maximum Load Capacity:** The maximum recommended load for this chair is **150 kg (330 lbs)**. Do not exceed this weight limit to prevent damage or injury.
- Ensure the chair is fully unfolded and stable on a flat, level surface before use.
- Keep fingers and clothing clear of moving parts when folding or unfolding the chair.
- Do not stand on the chair.
- Regularly inspect the chair for any signs of wear, damage, or loose fasteners. Tighten any loose screws as needed.

SETUP AND ASSEMBLY

The IKEA NÄMMARÖ chair comes pre-assembled in a folded state for convenient transport. Setup primarily involves unfolding the chair for use.

Unfolding the Chair:

1. Place the folded chair on a flat, stable surface.
2. Gently pull the backrest upwards while simultaneously pushing the seat downwards until the chair locks into its open position.
3. Ensure all legs are firmly on the ground and the chair feels stable before sitting.

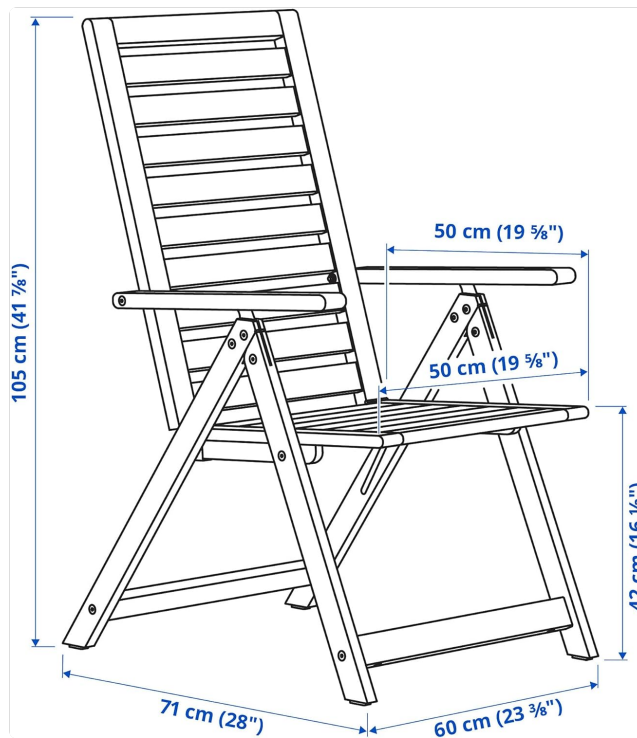


Figure 4: A technical diagram illustrating the dimensions of the IKEA NÄMMARÖ chair when fully unfolded. This provides a visual guide for understanding the chair's size and proportions.

OPERATING INSTRUCTIONS

Reclining Function:

The NÄMMARÖ chair features a reclining backrest for enhanced comfort. To adjust the recline:

1. While seated, gently lean back and lift the armrests slightly to disengage the locking mechanism.
2. Adjust the backrest to your desired angle.
3. Release the armrests to lock the backrest into position. Ensure it is securely locked before relaxing.

Folding for Storage:

To fold the chair for compact storage:

1. Ensure no one is sitting in the chair.
2. Gently lift the seat upwards while pushing the backrest forward until the chair collapses into its folded position.
3. Secure any locking mechanisms if present to keep the chair folded.
4. Store in a dry, protected area when not in use for extended periods.



Figure 5: Several IKEA NÄMMARÖ chairs shown in their folded state, stacked neatly against a wall. This illustrates the space-saving benefit of the folding design for storage.

MAINTENANCE AND CARE

Proper care will extend the life and appearance of your NÄMMARÖ chair.

- **Cleaning:** Wipe clean with a mild soap solution. Dry thoroughly with a clean, dry cloth.
- **Wood Treatment:** To prevent the surface from drying out and cracking, and to prevent moisture from penetrating the wood, re-stain the furniture regularly, for example, once or twice a year.
- **Storage:** Store the furniture in a cool, dry place indoors when not in use for extended periods, especially during winter months. If stored outdoors, cover with a waterproof cover.
- **Inspection:** Periodically check all screws and fittings and re-tighten as necessary to ensure stability.

TROUBLESHOOTING

Here are some common issues and their solutions:

Problem	Possible Cause	Solution
Chair feels wobbly or unstable.	Loose screws or uneven surface.	Ensure the chair is on a flat surface. Check and tighten all screws and fasteners.
Wood appears dry or faded.	Exposure to sun and weather without treatment.	Apply a suitable wood stain or protective oil for outdoor furniture. Refer to maintenance section.

Problem	Possible Cause	Solution
Difficulty folding or unfolding.	Mechanism stiff or obstructed.	Ensure no debris is caught in the hinges. Apply a small amount of silicone spray to hinges if necessary.

SPECIFICATIONS

Feature	Detail
Brand	Ikea
Model	IK.505.103.01
Color	Light Brown
Special Features	Foldable, Reclining
Item Weight	100 g (Note: This weight seems unusually low for a wooden chair and might be a packaging weight. Please refer to product packaging for actual chair weight.)
Package Dimensions	5 x 5 x 3 cm (Note: These dimensions seem unusually small for a chair package and might be placeholder data. Please refer to product packaging for actual dimensions.)
Back Style	Hard Back
Maximum Load Capacity	150 kg

WARRANTY AND SUPPORT

This product is typically covered by a return policy. For specific warranty details, please refer to the terms and conditions provided by the retailer at the time of purchase.

- **Return Policy:** A 30-day refund/replacement policy is generally offered by the seller. Please check your purchase receipt or retailer's website for exact details.
- **Customer Support:** For any questions regarding assembly, parts, or product issues, please contact the seller (Dalusa Foodmed) or IKEA customer service directly.
- Keep your proof of purchase for any warranty claims or support requests.