

IKEA IK.105.091.87

IKEA KOMPLEMENT Drawer with Framed Front

Model: IK.105.091.87 | Brand: IKEA

1. INTRODUCTION

This manual provides essential information for the assembly, operation, and maintenance of your IKEA KOMPLEMENT Drawer with Framed Front. Please read these instructions carefully before beginning installation or use to ensure proper function and longevity of the product.

The IKEA KOMPLEMENT pull-out tray is designed to help you organize your accessories efficiently within your wardrobe system. It can be used as a standalone storage solution or combined with other KOMPLEMENT inserts to customize your storage needs for smaller items that do not require significant vertical space.

2. KEY FEATURES

- **Efficient Storage:** Designed to keep accessories and small items organized.
- **Pull-Out Functionality:** Smooth gliding mechanism for easy access to contents.
- **Customizable:** Can be used independently or with KOMPLEMENT inserts (sold separately) for tailored organization.
- **Durable Construction:** Made from wood with a dark grey painted finish.
- **Integrated Design:** Seamlessly integrates into the IKEA KOMPLEMENT wardrobe system.

3. SETUP AND INSTALLATION

The KOMPLEMENT drawer is designed for installation within the IKEA KOMPLEMENT wardrobe frame system. Specific assembly instructions are typically provided with the product packaging. Please refer to the detailed graphical instructions included with your purchase for step-by-step guidance.

General Installation Steps:

1. **Unpack Components:** Carefully remove all parts from the packaging and verify against the parts list in the assembly guide.
2. **Attach Drawer Slides:** Secure the provided drawer slides to the interior of your KOMPLEMENT wardrobe frame at the desired height, ensuring they are level and properly aligned.
3. **Assemble Drawer (if necessary):** If the drawer is not pre-assembled, follow the instructions to put together the drawer box.

4. **Insert Drawer:** Carefully slide the assembled drawer onto the installed drawer slides until it clicks into place.
5. **Test Functionality:** Gently pull the drawer out and push it back in to ensure smooth operation.



Figure 3.1: The IKEA KOMPLEMENT drawer with its framed front, ready for installation.



Figure 3.2: Detail of the drawer's smooth-gliding mechanism, designed for easy pull-out and push-in action.

4. OPERATING INSTRUCTIONS

Using your KOMPLEMENT drawer is straightforward:

- **To Open:** Gently pull the drawer outwards from its front panel. The smooth-gliding runners will allow it to extend fully for easy access to contents.
- **To Close:** Push the drawer inwards until it is fully recessed into the wardrobe frame. Ensure no items are obstructing its path.
- **Loading:** Distribute items evenly within the drawer. Avoid overloading to ensure smooth operation and prevent damage to the slides.

5. CARE AND MAINTENANCE

To keep your KOMPLEMENT drawer in optimal condition, follow these simple care guidelines:

- **Cleaning:** Wipe clean with a damp cloth. For stubborn marks, use a mild soap solution. Dry thoroughly with a clean cloth.
- **Avoid Harsh Cleaners:** Do not use abrasive cleaners, strong chemicals, or solvents, as these can damage the finish.
- **Lubrication:** The drawer slides are designed for long-term smooth operation. If you notice any stiffness over time, a small amount of silicone-based lubricant can be applied to the runners, but this is rarely necessary.
- **Inspection:** Periodically check all screws and fittings to ensure they are tight. Retighten if necessary.

6. TROUBLESHOOTING

Problem	Possible Cause	Solution
Drawer does not slide smoothly.	Obstruction in the drawer slides. Drawer is overloaded. Slides are not properly aligned or secured.	Check for any items or debris blocking the slides. Reduce the weight or volume of items in the drawer. Verify that the drawer slides are correctly installed, level, and all screws are tightened.
Drawer does not close completely.	Items protruding from the drawer. Misalignment of the drawer or slides.	Ensure all contents are fully contained within the drawer. Re-check slide alignment and installation.

7. PRODUCT SPECIFICATIONS

Attribute	Detail
Brand	IKEA
Model Number	IK.105.091.87
Color	Dark Grey
Material	Wood
Product Dimensions (Overall)	Length: 56.3 cm (22 1/8"), Width: 42.6 cm (16 3/4"), Height: 3.5 cm (1 3/8")
Internal Tray Dimensions	Length: 53.3 cm (20 15/16"), Width: 42.8 cm (16 7/8"), Depth: 1.7 cm (3/4")

Attribute	Detail
Compatibility	Designed for IKEA KOMPLEMENT wardrobe frames (e.g., 50x58 cm frames)

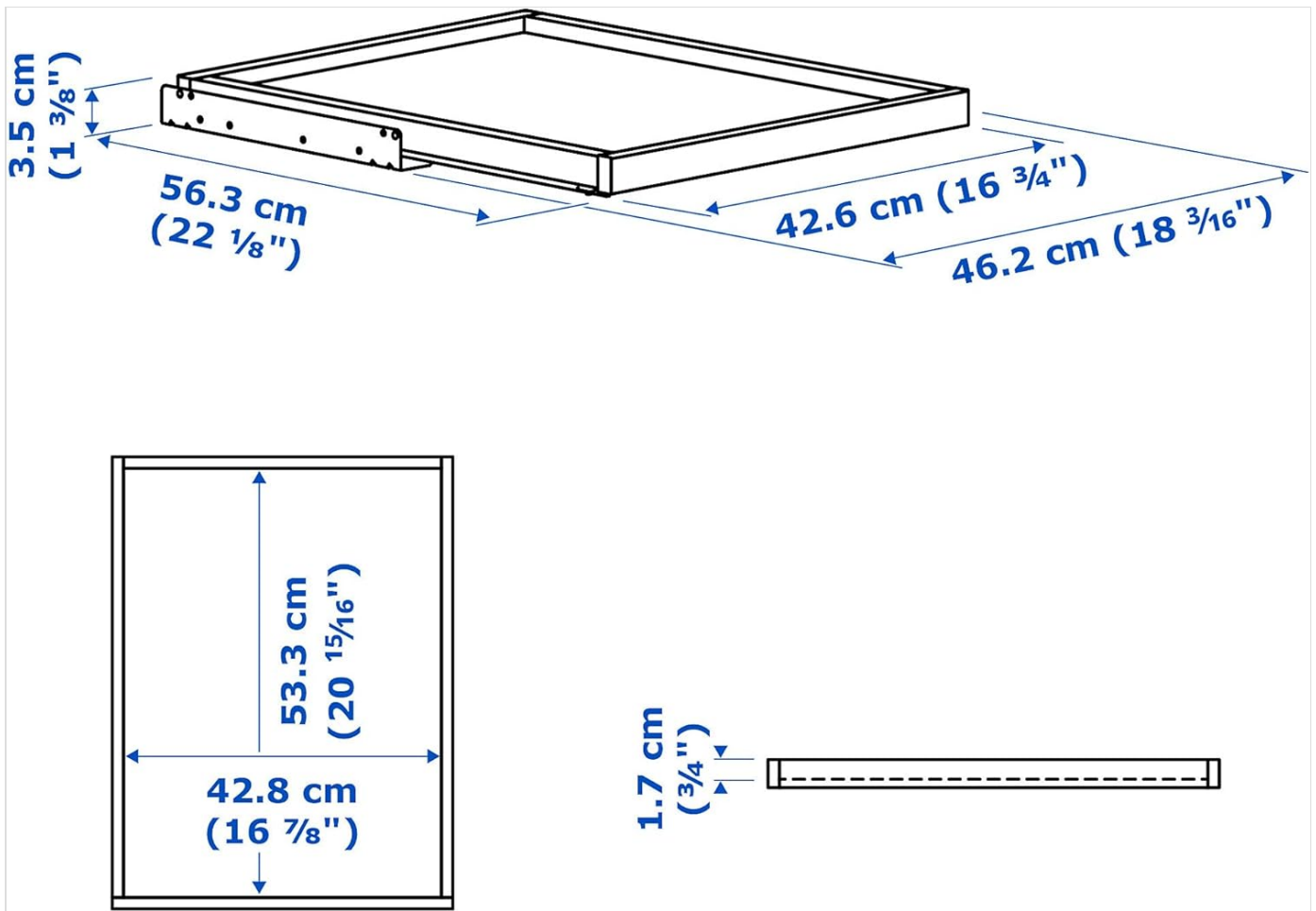


Figure 7.1: Overall dimensions of the KOMPLEMENT drawer.

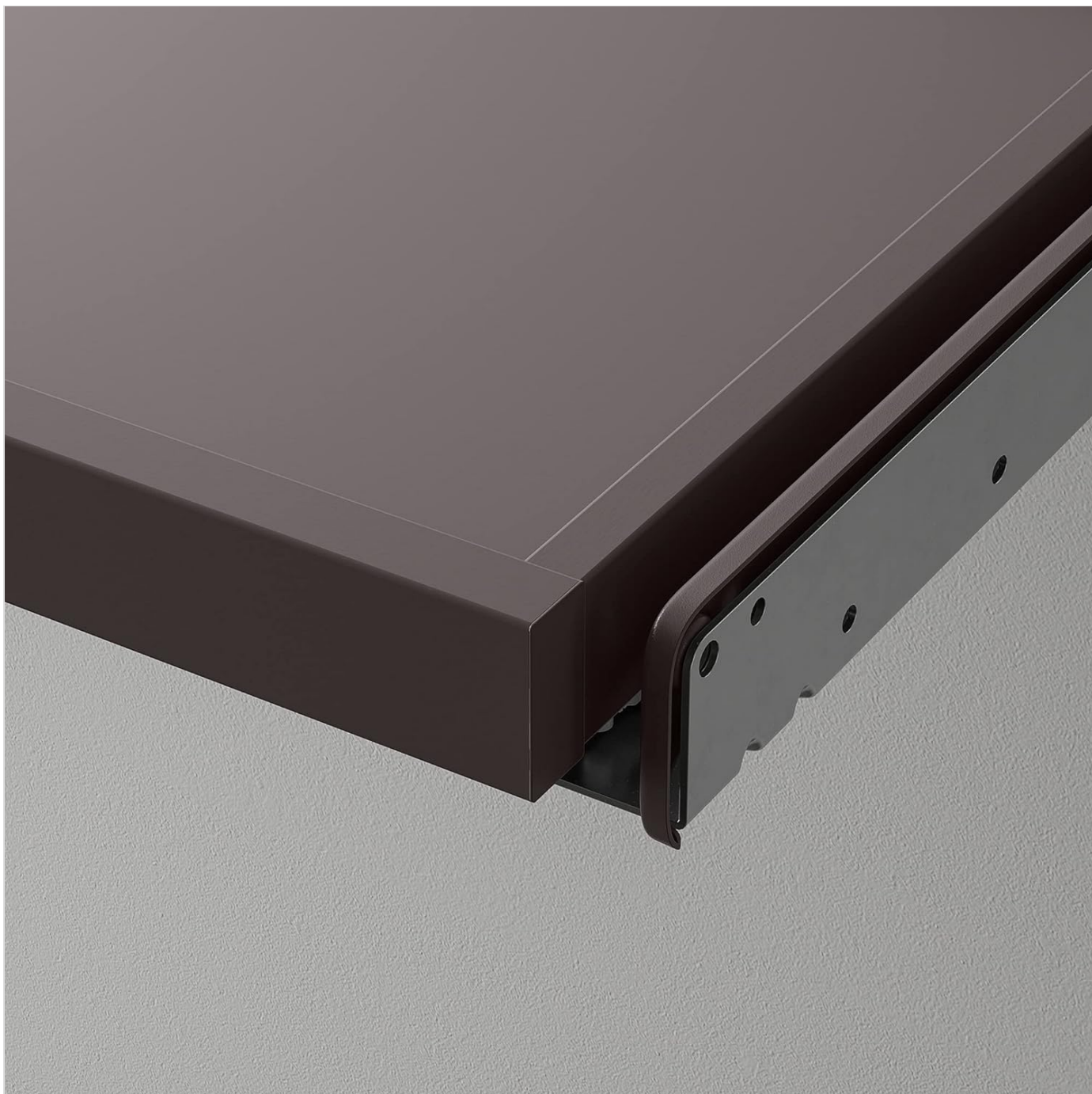


Figure 7.2: Internal dimensions of the KOMPLEMENT drawer tray.

8. WARRANTY AND SUPPORT

For specific warranty information regarding your IKEA KOMPLEMENT drawer, please refer to the warranty documentation provided with your purchase or visit the official IKEA website. IKEA products typically come with a limited warranty covering defects in materials and workmanship.

For customer support, spare parts, or further assistance, please contact IKEA Customer Service directly or visit your nearest IKEA store. You may need your proof of purchase and the product's model number (IK.105.091.87) when seeking support.

IKEA Official Website: www.ikea.com

