

Sirui P-424FL

SIRUI P-424FL Carbon Fiber Monopod Kit with VA-5 Fluid Video Head Instruction Manual

Model: P-424FL+VA-5

1. INTRODUCTION

Thank you for choosing the SIRUI P-424FL Carbon Fiber Monopod Kit with VA-5 Fluid Video Head. This manual provides detailed instructions for the proper setup, operation, and maintenance of your monopod kit. Please read this manual thoroughly before use to ensure optimal performance and longevity of your equipment.

2. PACKAGE CONTENTS

Verify that all items listed below are included in your package:

- 1 x SIRUI P-424FL Carbon Fiber Monopod
- 1 x SIRUI VA-5 Fluid Video Head
- 1 x Removable Tripod Base
- 1 x Carrying Bag with Shoulder Strap
- 1 x Set of Allen Keys
- 1 x Warranty Card

3. KEY FEATURES

- **Innovative Quick-Release System:** Allows for easy detachment and insertion of the top mounting plate with a secured trigger mechanism.
- **Three-in-One Modular Design:** Functions as a monopod, extension rod, and tabletop tripod for versatile use.
- **Heavy-Duty Support:** Constructed with 10x-layer carbon fiber legs, supporting up to 12kg (26.7lbs) of photography gear.
- **360° Panning & 36° Swiveling:** Features a grooved upper twist collar for 360° panning and a tripod base that allows for 36° tilting in any direction.
- **Versatile Minipod:** The solid aluminum minipod offers two adjustable angles and can be folded for compact storage.

4. SETUP AND ASSEMBLY

4.1. Understanding the Modular Design

The P-424FL monopod features a modular design, allowing its components to be used in various configurations:



Figure 4.1: Modular configurations of the SIRUI P-424FL Monopod.

4.2. Quick-Release System Operation

The monopod features an innovative quick-release system for fast and secure attachment/detachment of the mounting plate and other modules.

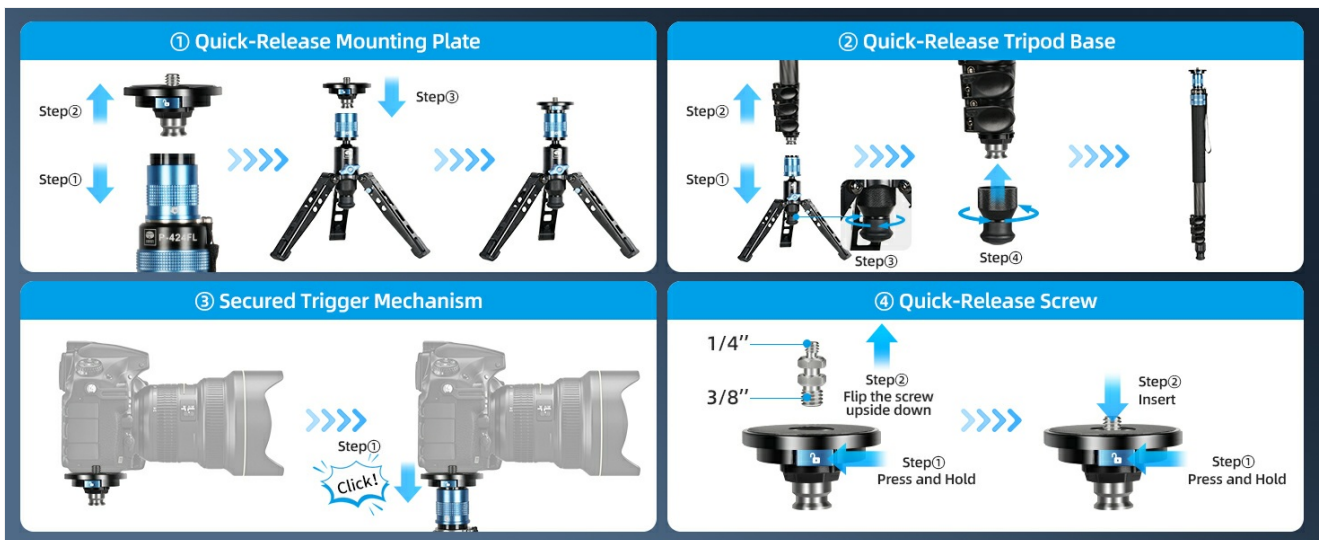


Figure 4.2: Steps for using the quick-release system.

1. To detach a module (e.g., mounting plate or tripod base), pull down on the blue sleeve. The module will automatically pop up for removal.
2. To attach a module, align it with the receiver and push it down until you hear a 'click', indicating it is securely locked.

4.3. Attaching the VA-5 Fluid Video Head and Camera

The VA-5 Fluid Video Head is designed to be mounted on the monopod's quick-release plate. Ensure the quick-release plate is securely attached to the monopod. The camera plate on the VA-5 head features both 1/4" and 3/8" screws for compatibility with various cameras and accessories. To switch between screw sizes, press the quick-release button on the camera plate and flip the screw upside down.

360° Panoramic View

Grooved Surface for Quick

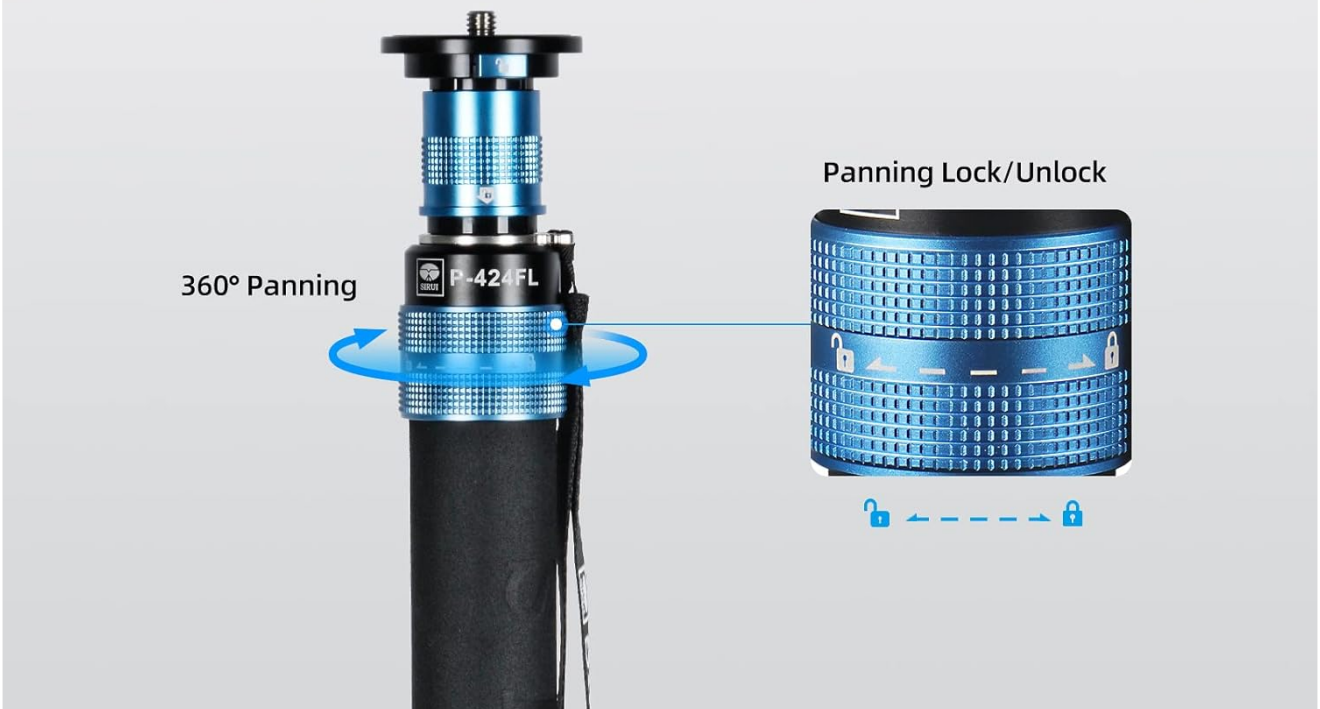


Figure 4.3: Mounting a camera on the monopod with the VA-5 Fluid Head.

4.4. Adjusting Leg Sections and Height

The P-424FL monopod has 4 leg sections with ergonomic flip locks for quick height adjustments. To extend a leg section, open the flip lock, pull the section to the desired length, and close the flip lock to secure it. Ensure all locks are firmly closed before use.



Figure 4.4: Adjusting monopod height using flip locks.

4.5. Using the Tripod Base and Deploying the Spike

The removable tripod base provides additional stability. Its legs can be folded up or down and adjusted to two different angles. The base also features a rubber foot with a concealed spike. To deploy the spike, twist the rubber foot until the spike protrudes. Twist in the opposite direction to retract it.

HEAVY-DUTY SUPPORT

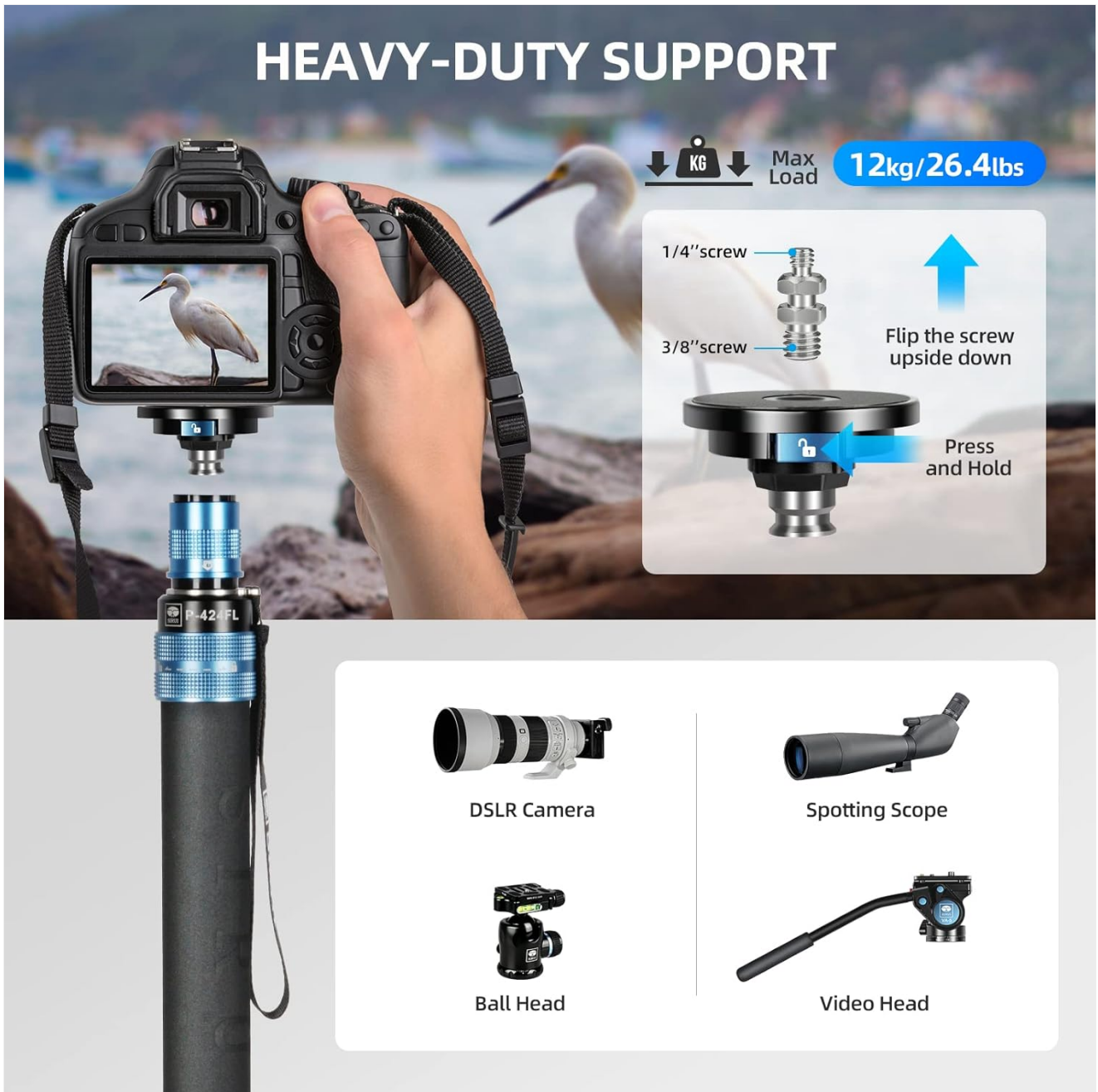


Figure 4.5: Adjusting the tripod base and tilting mechanism.

5. OPERATING THE MONOPOD

5.1. 360° Panning and Tilting

The VA-5 Fluid Video Head allows for smooth 360° panning and -60° to +90° tilting. Use the panning lock on the upper twist collar to control horizontal movement. The tripod base also allows for 36° swiveling in any direction for dynamic shots.

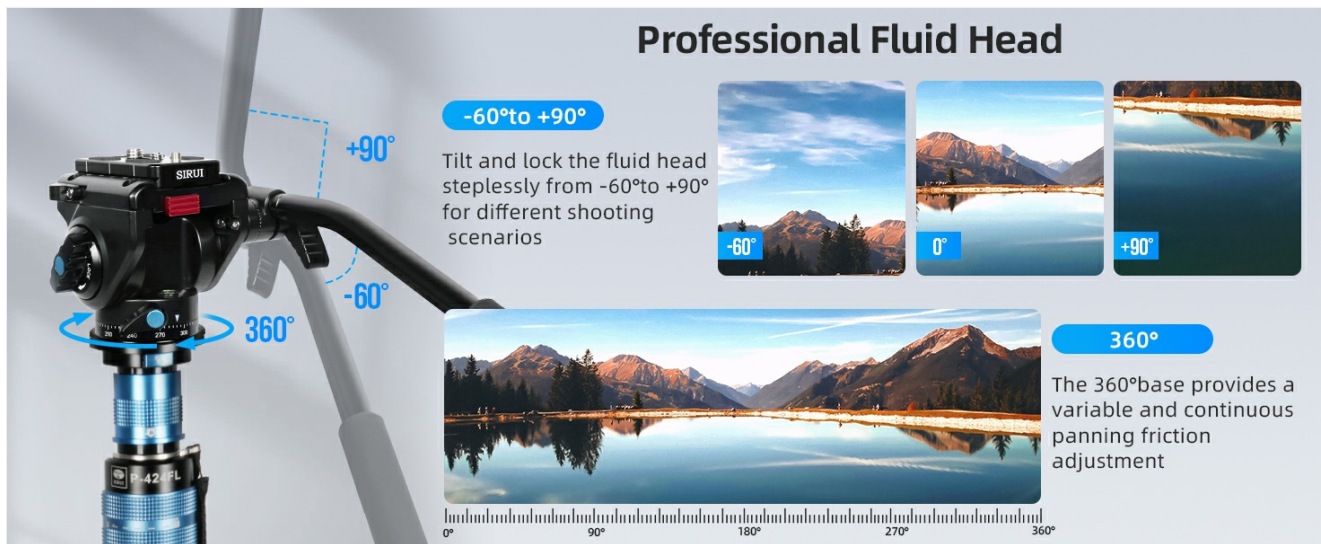


Figure 5.1: Panning and tilting with the VA-5 Fluid Head.

5.2. Using as an Extension Rod or Tabletop Tripod

Detach the tripod base and/or the main monopod section using the quick-release system to configure the unit as a lighter monopod, an extension rod, or a tabletop tripod. This versatility makes it suitable for various shooting scenarios, including live streaming, sports photography, and product shooting.

Video 5.2: Overview of the SIRUI Carbon Fiber Monopod's features and modularity.

Video 5.3: Detailed comparison and feature demonstration of SIRUI P-424FL and P-424FS monopods.

6. MAINTENANCE

To ensure the longevity and smooth operation of your SIRUI monopod kit, follow these maintenance guidelines:

- Regularly clean the monopod and fluid head with a soft, dry cloth.
- Avoid exposing the equipment to extreme temperatures, moisture, or corrosive substances.
- Check all screws and locking mechanisms periodically and tighten them if necessary using the provided Allen keys.
- Store the monopod in its carrying bag in a dry, dust-free environment when not in use.

7. TROUBLESHOOTING

If you encounter any issues with your SIRUI monopod kit, please refer to the following common solutions:

- **Problem:** Leg sections do not extend or retract smoothly.
Solution: Check for dirt or debris in the locking mechanisms. Clean thoroughly. Ensure flip locks are fully disengaged before adjusting.
- **Problem:** Camera feels unstable on the fluid head.
Solution: Ensure the camera is securely mounted to the quick-release plate and the plate is firmly locked into the fluid head. Verify all fluid head adjustments are tightened.
- **Problem:** Panning or tilting is stiff.
Solution: Loosen the respective panning or tilting lock. If the issue persists, clean the moving parts and ensure no foreign objects are obstructing movement.

For further assistance, please contact SIRUI customer support.

8. SPECIFICATIONS

Brand	Sirui
Model Name	P-424FL+VA-5
Material	Carbon Fiber
Number of Leg Sections	4
Maximum Height	198 Centimeters (78 Inches)
Minimum Height	61 Centimeters
Folded Size	61 Centimeters (h)
Item Weight	6.21 Pounds (2.81 kg)
Weight Limit	12 Kilograms (26.7 lbs)
Tripod Head Type	Video Heads (VA-5 Fluid Head)
Compatible Devices	Camcorder, Camera, Smartphone

9. WARRANTY AND SUPPORT

SIRUI offers a **6-year warranty** on most gear, and a **1-year warranty** for mobile/lens accessories. This warranty applies to purchases made from U.S. authorized dealers only.

For detailed warranty information, product support, or to register your product, please visit the official [Sirui Store on Amazon](#) or their official website.