

[Manuals.plus](#) /

› [POWERASIA](#) /

› POWERASIA 5/6 Inch LED Can Light with Night Light User Manual

## POWERASIA 1P-6IN

# POWERASIA 5/6 Inch LED Can Light with Night Light User Manual

Model: 1P-6IN

## PRODUCT OVERVIEW

---

The POWERASIA 5/6 Inch LED Can Light with Night Light is a versatile retrofit recessed lighting solution designed for various indoor and outdoor applications. It features selectable color temperatures, dimmability, and a dedicated night light function to enhance comfort and ambiance.

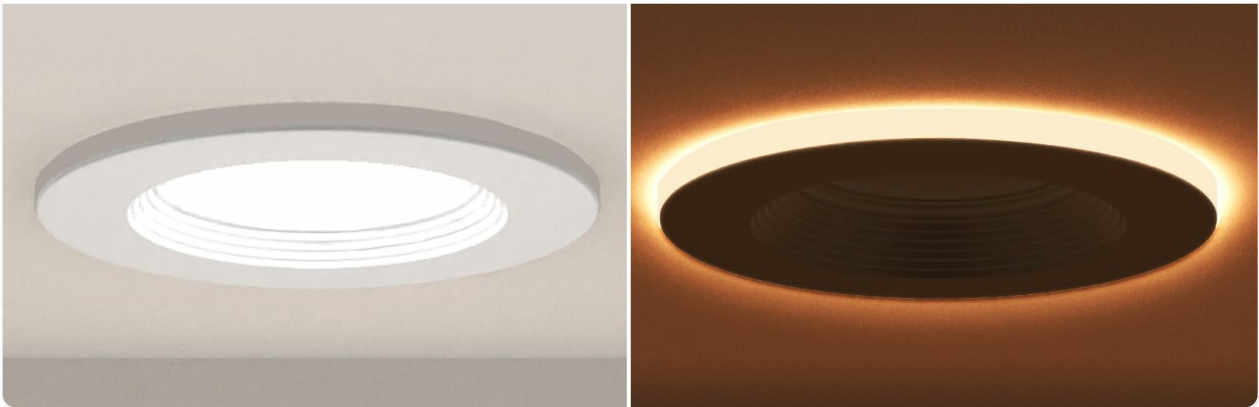
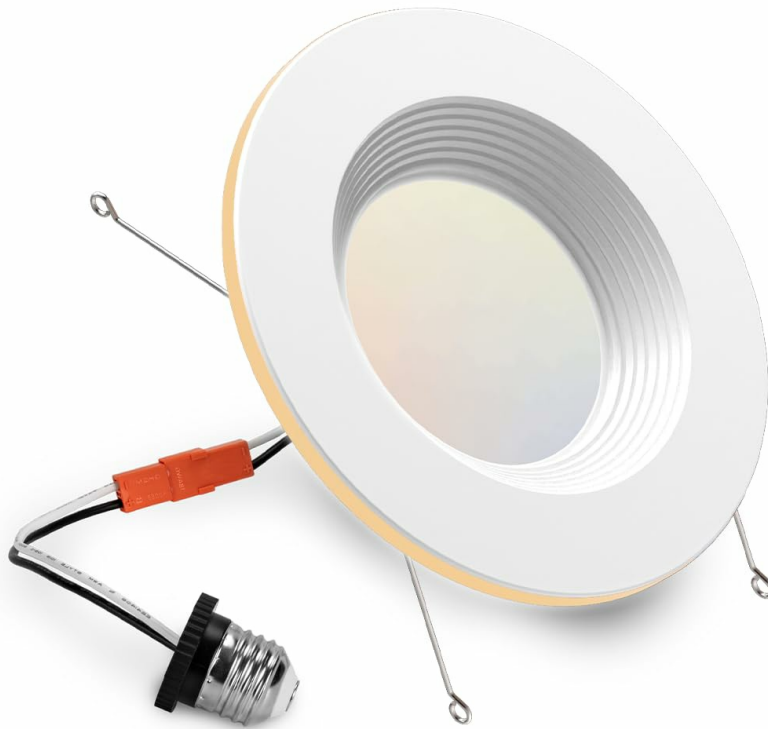


Figure 1: POWERASIA 5/6 Inch LED Can Light with Night Light.

## SAFETY INFORMATION

Before installation or operation, please read and understand all safety instructions. Failure to do so may result in electric shock, fire, or other hazards. Always disconnect power at the circuit breaker before working on electrical wiring.

- Ensure the power supply is turned off before installation.
- Consult a qualified electrician if you are unsure about any part of the installation process.
- Do not modify the product in any way not described in this manual.
- This product is rated for 120 Volts AC.

## PACKAGE CONTENTS

---

Verify that all components are present before beginning installation:

- Can Light (x1)
- Extra Springs (x2 per light)
- C-clips (x2 per light)

## SETUP AND INSTALLATION

---

The POWERASIA LED Can Light is designed for easy installation into existing 5/6 inch recessed housing cans. No additional accessories are required beyond what is provided.

### Installation Steps:

1. **Prepare the Housing:** Ensure power to the fixture is off at the circuit breaker. Remove the existing bulb and trim from the recessed can.
2. **Connect Wiring:** The retrofit LED light comes with a standard E26 base adapter and a TP24 connector. Screw the E26 base into the existing socket in the recessed can. Connect the TP24 connector from the LED light to the corresponding connector from the E26 adapter.
3. **Secure the Light:** Gently push the LED can light into the recessed housing. The attached C-clips (or springs) will automatically secure the light in place. Ensure the light is flush with the ceiling.

# EASY INSTALLATION

Installation takes only two minutes



Figure 2: Visual guide for easy installation, showing the TP24 connector and E26 adapter.

## Installation Video:

For a visual guide on installation, please refer to the video below:

Your browser does not support the video tag.

Video 1: Installation and feature overview of the POWERASIA 6 Inch Can Light with Night Light.

## OPERATING INSTRUCTIONS

The POWERASIA LED Can Light offers multiple lighting modes and adjustable settings.

### Color Temperature Selection (5CCT):

The light offers five selectable color temperatures: 2700K (Soft White), 3000K (Warm White), 4000K (Nature White), 5000K (Cool White), and 6000K (Daylight). These can typically be cycled through using your existing

wall switch or a compatible dimmer.

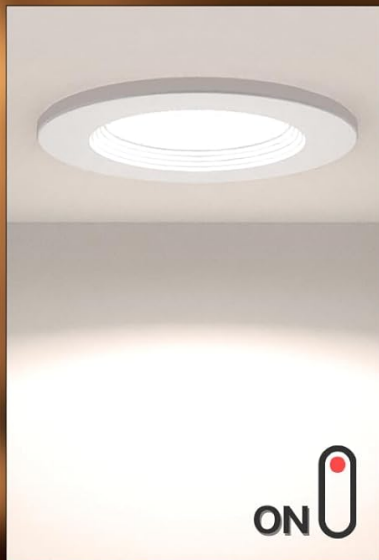


Figure 3: Illustration of different color temperatures available.

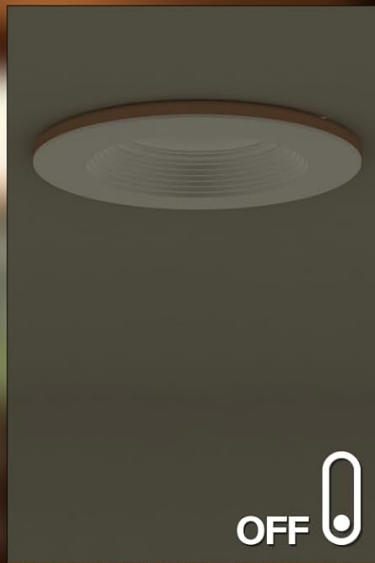
### **Night Light Feature:**

Activate the 2000K amber night light mode for a soft, warm glow. This mode is typically accessed by quickly cycling the power switch. The interval between turning the light on and off to switch modes should be within 1-3 seconds.

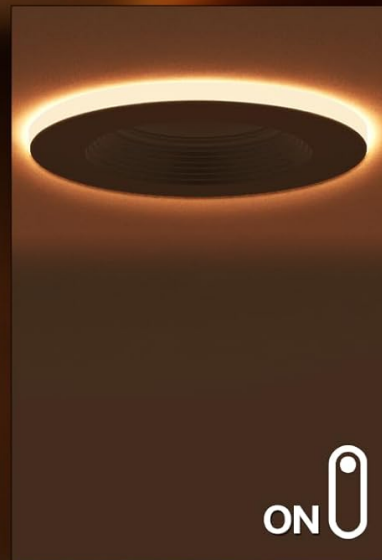
# QUICK SWITCH MODE



Turn on regular lights



Turn off the lights



Activate night light mode

## NOTE:

In the process of switching modes, the interval between each turn on and off of the light needs to be within 1-3 seconds

Figure 4: Quick switch mode for activating the night light.



## NIGHT LIGHT FEATURE

One downlight for two purposes

Figure 5: Night light feature providing a warm, amber glow.

### Dimmability:

The light is 5-100% dimmable and compatible with most standard wall dimmers. Adjust the brightness to your preference using a compatible dimmer switch.

### SMOOTH DIMMING

- With the matching wall switch, the brightness of the downlight and night light can be adjusted freely (5%-100%)

5% 50% 100%

5% 50% 100%

Figure 6: Smooth dimming capabilities from 5% to 100%.

# 5-100% SMOOTH DIMMABLE

Use wall dimmers to select different brightness levels



| Brand   | Dimmer Model |            |         |
|---------|--------------|------------|---------|
| LUTRON  | DVCL-153P    | TGCL-153PH | CT-600P |
|         | SCL-153P     | CTCL-153P  | GT-600P |
| LEVITON | RNL06        | DSL06      | IPL06   |
|         | SELV-300P    | 6672       |         |

Not only the dimmers shown in this picture are available other models may also be available.

Figure 7: Compatible dimmer models for optimal performance.

## MAINTENANCE

The POWERASIA LED Can Light requires minimal maintenance. Ensure the power is off before cleaning.

- **Cleaning:** Wipe the surface of the light with a soft, dry cloth. Do not use abrasive cleaners or solvents.
- **Bulb Replacement:** This LED fixture does not require bulb replacement. The integrated LED chips have a long lifespan.

## TROUBLESHOOTING

### Lights Not in the Same Mode (Synchronization Issue):

If multiple lights are not displaying the same mode or color temperature, use the synchronous reset function:

1. Turn off all affected lights.
2. Wait for at least 6-8 seconds.
3. Turn the lights back on. They will restore to the main light mode by default.

## SPECIFICATIONS

| Feature              | Detail  |
|----------------------|---|
| Brand                | POWERASIA   |
| Model Number         | 1P-6IN  |
| Size                 | 5/6 Inch  |
| Color Temperature    | 5CCT Selectable (2700K-6000K) + 2000K Night Light |
| Wattage              | 12 Watts (equivalent to 75W incandescent)         |
| Brightness           | 1200 Lumens                                       |
| Dimmability          | 5-100% Smooth Dimmable                            |
| Voltage              | 120 Volts   |
| Material             | Aluminum  |
| CRI                  | 90+   |
| Certifications       | ETL, Energy Star                                  |
| Indoor/Outdoor Usage | Indoor, Outdoor (Waterproof)                      |
| Lifespan             | 50,000 hours                                      |

# SPECIFICATIONS

Fit in 5/6 inch cans



**50000**

Hour lifespan



**1200Lm**

High brightness



**12W**

Rated wattage



**CRI 90+**

Rich colors

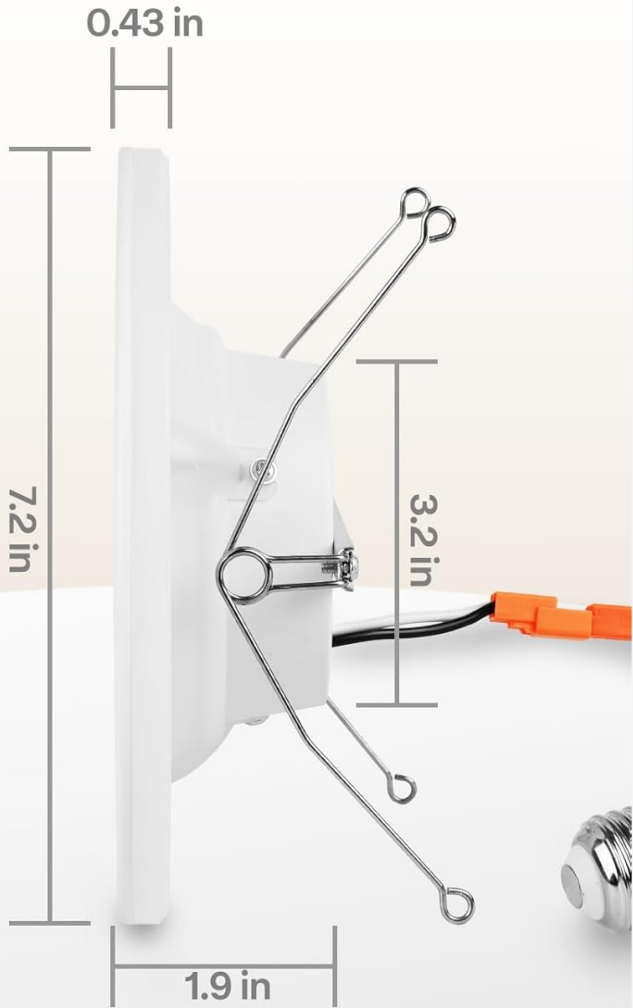


Figure 8: Key product specifications and dimensions.

# ALUMINUM MATERIAL

Durable metal material



Figure 9: Durable aluminum material construction.

## WARRANTY

This POWERASIA product comes with a 5-year manufacturer's warranty. Please retain your proof of purchase for warranty claims.

## SUPPORT

For further assistance, technical support, or to inquire about replacement parts, please visit the official POWERASIA website or contact their customer service department. Refer to your product packaging for specific contact details.

