

FRIDEKO HOME L01105-01-32CM-US

FRIDEKO HOME Flush Mount Ceiling Light Fixture

Model: L01105-01-32CM-US

1. IMPORTANT SAFETY INFORMATION

Please read all instructions carefully before installation and use. Retain this manual for future reference.

- **Electrical Safety:** Always turn off the main power supply at the circuit breaker before installing, servicing, or cleaning the fixture. Consult a qualified electrician if you are unsure about wiring procedures.
- **Grounding:** Ensure the fixture is properly grounded to avoid potential electrical shock.
- **Bulb Requirements:** Use only E26 base bulbs, maximum 40 watts per socket. Do not exceed the recommended wattage.
- **Handling:** Handle the fabric shade and glass diffuser with care to prevent damage.
- **Location:** This fixture is designed for indoor use only. Do not install in wet or damp locations.

2. PACKAGE CONTENTS

Verify that all components are present before beginning installation.

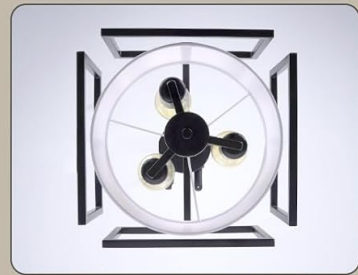
- Ceiling Light Fixture (Metal Frame, Fabric Shade, Glass Diffuser)
- Mounting Hardware (Crossbar, Mounting Screws, Wire Nuts)
- Downrods (1 x 6.1 inch, 1 x 4.3 inch)
- Instruction Manual



**DOUBLE FABRIC
LAMP SHADE**



**METAL CEILING
CANOPY**



**ACRYLIC BOTTOM
DESIGN**

Image: Overview of fixture dimensions and bulb types.

3. SPECIFICATIONS

Brand	FRIDEKO HOME
Model Number	L01105-01-32CM-US
Color	Black Drum Frame
Material	Metal + Fabric
Style	Modern
Light Fixture Form	Close to Ceiling / Semi Flush Mount
Number of Light Sources	3
Bulb Base	E26
Max Wattage per Bulb	40 Watts
Compatible Bulb Types	LED, CFL, Incandescent, Halogen

Dimmable	Yes (with compatible bulbs and dimmer switch, not included)
Item Dimensions (L x W x H)	12.59"L x 6.69"W x 17.91"H
Adjustable Height	Yes, using included downrods (4.3"-10.43" adjustable hanging length)
Weight	4.76 Pounds

4. INSTALLATION INSTRUCTIONS

Follow these steps carefully to install your ceiling light fixture. It is recommended to have two people for installation.

1. Prepare for Installation:

- Turn off power at the circuit breaker before starting.
- Unpack all components and inspect for any damage.
- Ensure you have all necessary tools (screwdriver, wire strippers, electrical tape, ladder).

2. Attach Mounting Bracket:

- Secure the mounting crossbar to your junction box using the provided mounting screws.

3. Assemble Downrods:

- Determine your desired hanging length. The fixture includes a 6.1-inch and a 4.3-inch downrod. These can be combined to achieve different heights.
- Thread the fixture wires through the selected downrod(s) and then through the canopy.
- Secure the downrod(s) to the fixture body and the canopy.



Image: Downrod assembly detail.

4. Wire the Fixture:

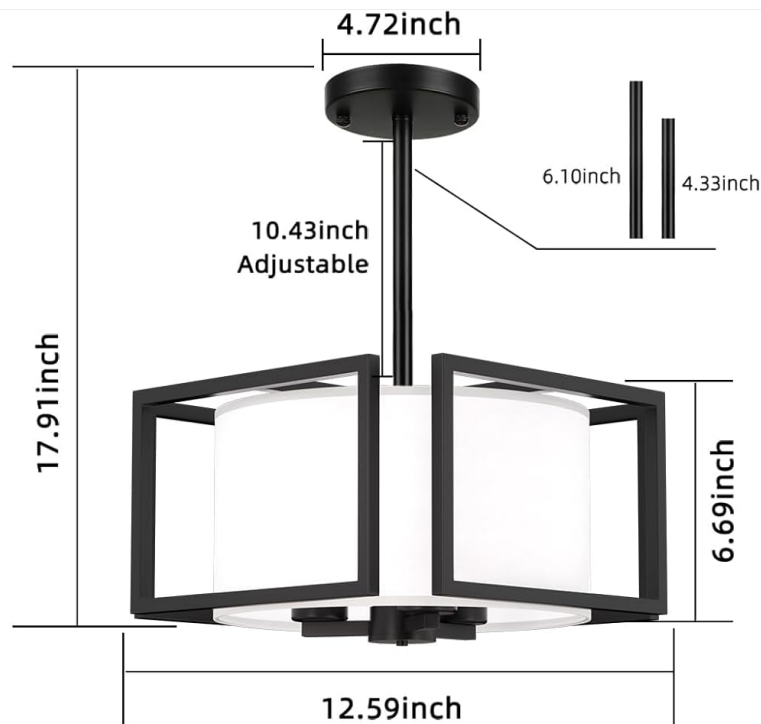
- Connect the fixture's black wire to the house's black (live) wire using a wire nut.
- Connect the fixture's white wire to the house's white (neutral) wire using a wire nut.
- Connect the fixture's ground wire to the house's ground wire (or bare copper wire) and to the mounting bracket's ground screw.
- Ensure all connections are secure and covered with wire nuts.
- *Note:* Some users have reported short wire lengths. If necessary, consult a professional electrician for wire extension.

5. Mount the Fixture:

- Carefully push the wired fixture up towards the ceiling, aligning the canopy with the mounting bracket.
- Secure the canopy to the mounting bracket using the provided screws.

6. Install Bulbs and Shade:

- Screw three E26 base bulbs (max 40W each, not included) into the sockets.
- Place the fabric shade and glass diffuser onto the fixture according to the assembly diagram.



E26 Bulbs, Max 40W (Bulb Not Included)



Image: Detailed view of the lampshade, canopy, and bottom design.

7. Restore Power:

- Turn the power back on at the circuit breaker.
- Test the light fixture.

Your browser does not support the video tag.

Video: This video demonstrates the features and assembly of the FRIDEKO HOME Ceiling Light Fixture, including the E26 base and black metal frame. It provides a visual guide to understanding the product's components and design.

5. OPERATING INSTRUCTIONS

This fixture is designed for simple operation.

- **Power On/Off:** Control the light using your standard wall switch.
- **Bulb Compatibility:** The fixture uses three E26 base bulbs, up to 40W each. It is compatible with LED, CFL, incandescent, and halogen bulbs.
- **Dimmable Functionality:** If you wish to use a dimmer, ensure you install dimmable E26 bulbs and connect the fixture to a compatible dimmer switch (both sold separately).



Image: Light fixture in off and on states, detailing bulb base and wattage.

6. MAINTENANCE

Regular maintenance ensures the longevity and appearance of your light fixture.

- **Cleaning:** Turn off power before cleaning. Wipe the metal frame with a soft, dry cloth. For the fabric shade, use a soft, slightly damp cloth or a lint roller to remove dust. Avoid abrasive cleaners or solvents.
- **Bulb Replacement:** Turn off power before replacing bulbs. Allow old bulbs to cool completely. Unscrew old bulbs and screw in new E26 base bulbs (max 40W).

7. TROUBLESHOOTING

If you encounter issues, refer to the following common problems and solutions.

Problem	Possible Cause	Solution
---------	----------------	----------

Light does not turn on	<ul style="list-style-type: none"> o Power is off o Loose wiring connection o Faulty bulb 	<ul style="list-style-type: none"> o Check circuit breaker and wall switch o Verify all wire connections are secure (power off first) o Replace bulb with a new one
Light flickers	<ul style="list-style-type: none"> o Loose bulb o Incompatible dimmer switch or bulb o Loose wiring 	<ul style="list-style-type: none"> o Tighten bulb o Ensure dimmer and bulbs are compatible (if using a dimmer) o Check wiring connections (power off first)
Fixture is unstable after installation	Mounting screws not tightened	Ensure all mounting screws are securely fastened to the junction box and canopy.

8. WARRANTY AND SUPPORT

FRIDEKO HOME products are manufactured with quality and care. For any questions, concerns, or support needs regarding your product, please contact FRIDEKO HOME customer service. Please refer to your purchase documentation for specific warranty details.