

Manuals.plus /

› FABULETTA /

› FABULETTA Cordless Vacuum Cleaner User Manual

## FABULETTA FSV005

# FABULETTA Cordless Vacuum Cleaner

Model: FSV005

## 1. IMPORTANT SAFETY INSTRUCTIONS

---

When using an electrical appliance, basic precautions should always be followed, including the following:

- Read all instructions before using this appliance.
- To reduce the risk of fire, electric shock, or injury:
  - Do not leave appliance when plugged in. Unplug from outlet when not in use and before servicing.
  - Do not use outdoors or on wet surfaces.
  - Do not allow to be used as a toy. Close attention is necessary when used by or near children.
  - Use only as described in this manual. Use only manufacturer's recommended attachments.
  - Do not use with damaged cord or plug. If appliance is not working as it should, has been dropped, damaged, left outdoors, or dropped into water, return it to a service center.
  - Do not pull or carry by cord, use cord as a handle, close a door on cord, or pull cord around sharp edges or corners. Do not run appliance over cord. Keep cord away from heated surfaces.
  - Do not unplug by pulling on cord. To unplug, grasp the plug, not the cord.
  - Do not handle plug or appliance with wet hands.
  - Do not put any object into openings. Do not use with any opening blocked; keep free of dust, lint, hair, and anything that may reduce air flow.
  - Keep hair, loose clothing, fingers, and all parts of body away from openings and moving parts.
  - Do not pick up anything that is burning or smoking, such as cigarettes, matches, or hot ashes.
  - Do not use to pick up flammable or combustible liquids, such as gasoline, or use in areas where they may be present.
  - Do not use without dust bag and/or filters in place.
- Turn off all controls before unplugging.
- Use extra care when cleaning on stairs.
- Unplug before connecting or disconnecting hose.

## 2. PRODUCT OVERVIEW

### 2.1 What's Included

The FABULETTA Cordless Vacuum Cleaner comes with the following components:



## What's Included

Figure 2.1: All included components of the FABULETTA Cordless Vacuum Cleaner.

- Cordless Vacuum Main Unit

- LED Roller Brush (Floor Brush with LED light)
- Adjustable Telescopic Alloy Tube
- Long Crevice Tool
- Dust Brush (integrated or separate, as shown in video)
- Cleaning Tool
- MIF Filter (2 pieces)
- Charging Adapter for Battery
- Wall Mount

## 2.2 Key Features

- **Powerful Suction:** Equipped with a high-performance Brushless Motor, delivering up to 24kPa strong suction in MAX mode. Features three suction modes (Max/Standard/Eco) for various cleaning needs.



## Advanced Brushless Motor

Provides Longer Service Life and Greater Suction Power



Figure 2.2: Brushless Motor and Suction Power Modes.

- **Lightweight & Self-standing Design:** The main body is super lightweight for easy one-handed cleaning. The self-standing design allows convenient placement anywhere.



Integrated dust  
brush to avoid loss

## Free-Standing Design

Store and stand the vacuum cleaner  
on everywhere you want

Figure 2.3: Self-Standing Design.

- **Versatile 6-in-1 Functionality:** Can be assembled into six configurations using the included accessories (Floor Brush with LED light, Long crevice tool, Dust Brush, adjustable Telescopic Alloy Tube) for cleaning various surfaces like low pile carpets, floors, sofas, stairs, and cars.



## Converts to A Lightweight Handheld Vacuum

Figure 2.4: Converts to a Lightweight Handheld Vacuum.

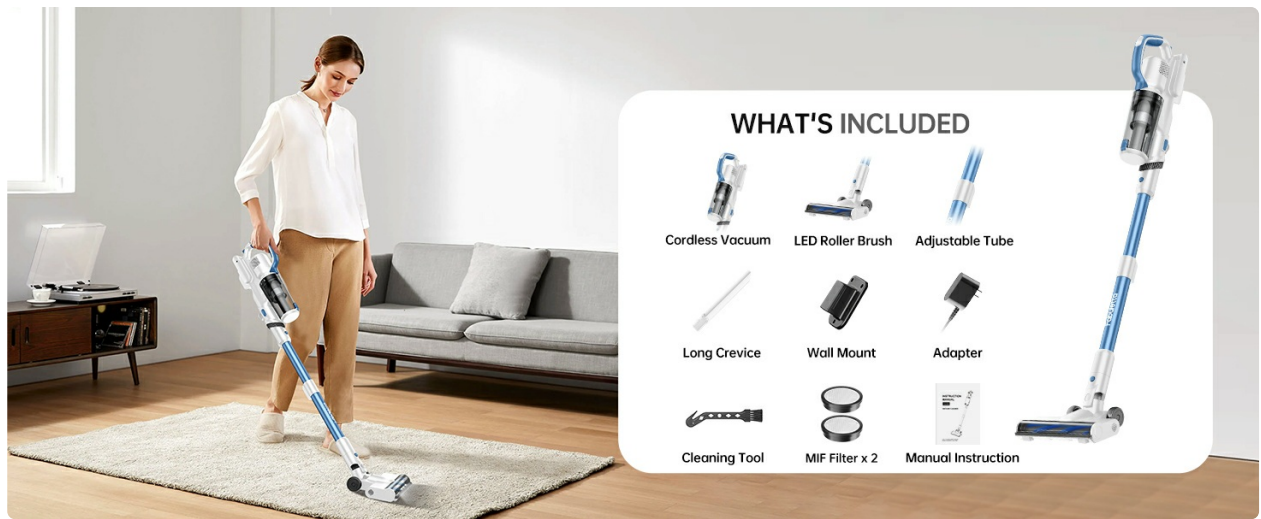
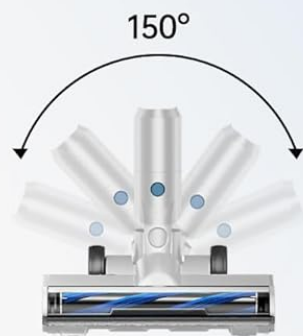


Figure 2.5: Versatile Attachments.

- **Flexible LED Electric Brush Head:** The floor brush head has a built-in independent motor, flexible 150° sideways rotation, and 90° up and down rotation, with LED lights to illuminate dust.



## Flexible & Under Furniture Reach



150° Left and Right



90° Up and Down

Figure 2.6: Flexible & Under Furniture Reach.

- **Extended Runtime & Detachable Battery:** Features a detachable 6x2500mAh large capacity battery, providing up to 45 minutes of runtime in Eco Mode. Can be charged independently or while installed in the vacuum.



## Long-lasting Runtime

6\*2500 Detachable Large Capacity Batteries



Detachable



6\*2500 mAh



5 Hrs Fast Charging

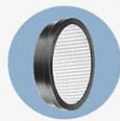
Figure 2.7: Long-lasting Runtime and Detachable Battery.

- **High-Efficiency MIF Filtration System:** A 5-stage fully sealed cyclone filtration system captures 99.99% of dust particles as small as 0.1 microns, preventing secondary pollution.



## 5 Stage High Efficiency

### Cyclone Filtration System



MIF Filter \*2



Multi-Cone  
Cyclone



Stainless  
Steel Filter

Figure 2.8: 5-Stage High-Efficiency Filtration System.

- **One-Touch Emptying:** Large dust cup capacity with a one-touch emptying feature for hygienic disposal of debris.



## One-Touch Empty Dustbin

Figure 2.9: One-Touch Empty Dustbin.

### 3. SETUP

---

#### 3.1 Assembly

1. **Attach the Extension Tube:** Insert the top end of the adjustable telescopic alloy tube into the main vacuum unit until it clicks securely into place.

2. **Attach the Floor Brush:** Connect the LED roller brush to the bottom end of the extension tube until it clicks securely.
3. **Attach Accessories:** For handheld use, attach the long crevice tool or dust brush directly to the main vacuum unit. Ensure they click into place.

## 3.2 Charging the Battery

Before first use, fully charge the battery. The detachable battery can be charged either while installed in the vacuum or independently.



Figure 3.1: Charging the Vacuum Cleaner.

- Connect the charging adapter to the charging port on the battery or the main unit.
- Plug the adapter into a power outlet.
- The charging indicator lights will show the charging status. A full charge takes approximately 5 hours.

## 4. OPERATING INSTRUCTIONS

---

### 4.1 Power On/Off and Suction Modes

The vacuum features a power button and a power switch to select suction modes.



Figure 4.1: Power and Mode Controls.

1. Press the **Power Button** to turn the vacuum cleaner on or off.
2. Press the **Power Switch** to cycle through the three suction modes: Eco, Standard, and Max. The speed indicators will light up accordingly.

### 4.2 Using Attachments

Select the appropriate attachment for your cleaning task:

- **LED Roller Brush:** Ideal for hard floors and low-pile carpets. The LED lights help illuminate hidden dust.
- **Long Crevice Tool:** Perfect for narrow gaps, corners, and hard-to-reach areas like between sofa cushions or car seats.
- **Dust Brush:** Suitable for cleaning delicate surfaces, upholstery, keyboards, and shelves.

Your browser does not support the video tag.

Video 4.1: Demonstration on how to attach and remove the dust brush from the main vacuum unit.

To remove the dust brush, press the button on the attachment and push it forward until it detaches. To reattach, align and push until it clicks.

## 5. MAINTENANCE

---

Regular maintenance ensures optimal performance and extends the lifespan of your vacuum cleaner.

### 5.1 Emptying the Dust Cup

Empty the dust cup regularly, especially when the MAX line is reached, to maintain strong suction.



Figure 5.1: Emptying the Dust Cup.

1. Hold the main unit over a trash bin.
2. Press the dust cup release button (as indicated in Figure 5.1) to open the bottom flap and release the debris.
3. Close the flap securely after emptying.

### 5.2 Cleaning the MIF Filter

Clean the MIF filter regularly to prevent blockages and maintain suction power. It is recommended to clean it after every 3-5 uses, or as needed.

1. Twist and pull to remove the dust cup from the main unit.
2. Remove the MIF filter and metal filter assembly from the dust cup.
3. Tap the MIF filter gently to remove loose dust. You can also rinse it under running water.
4. Ensure the filter is completely dry before reassembling. Air dry for at least 24 hours.
5. Reassemble the filters and dust cup, ensuring all parts are securely in place.

### 5.3 Cleaning the Roller Brush

Periodically check the roller brush for tangled hair or debris and clean as necessary.

1. Turn off the vacuum and detach the LED roller brush from the extension tube.
2. Locate the brush roll release mechanism (usually a latch or button) on the side of the brush head.
3. Remove the roller brush.
4. Use the provided cleaning tool or scissors to cut and remove any tangled hair or fibers.
5. Reinsert the roller brush and secure the release mechanism.

## 6. TROUBLESHOOTING

---

Refer to this section for common issues and their solutions.

Problem	Possible Cause	Solution
Vacuum does not turn on.	Battery is not charged or not properly installed.	Ensure battery is fully charged and correctly inserted.
Loss of suction power.	Dust cup is full; Filter is clogged; Blockage in tube or brush head.	Empty dust cup. Clean MIF filter. Check for and remove any blockages in the extension tube or brush head.
Roller brush not spinning.	Hair or debris tangled in brush roll; Brush roll is jammed.	Turn off the vacuum, remove the brush roll, and clear any obstructions. Ensure it is reinstalled correctly.
Short runtime.	Battery not fully charged; Using Max mode excessively.	Ensure battery is fully charged before use. Use Eco or Standard mode for longer cleaning sessions. Consider purchasing an additional battery for extended use.
Unusual noise.	Blockage in air path; Damaged component.	Check for and remove any blockages. If noise persists, contact customer support.

If the problem persists after trying these solutions, please contact FABULETTA customer support.

## 7. SPECIFICATIONS

---

Attribute	Detail
Brand	FABULETTA
Model Name	FSV005-W
Special Features	3 Suction Power Modes, Brushless Motor, Lightweight and Cordless, Max 45mins Runtime, Self-Standing Design
Filter Type	MIF Filter
Included Components	2 MIF Filter & Cleaning Tool, Adjustable Telescopic Alloy Tube, Charging Adapter for Battery, Crevice Tool, Power Floor Brush with Led Lights
Cordless	Yes
Dust Cup Capacity	1 Liters
Wattage	250 watts
Max Runtime	45 minutes (in Eco Mode)
Charging Time	5 Hours
Recommended Uses	Car, Hard Floor, Home
Form Factor	Stick
Color	White
Product Dimensions	10.83"L x 7.36"W x 17.68"H
Battery Type	Detachable Lithium Ion (6x2500mAh)
Noise Level	68 dB
Item Weight	3 pounds

## 8. WARRANTY AND SUPPORT

---

FABULETTA is committed to providing excellent customer service and support for your product.

- **Service Support:** Enjoy 1 year of service support from the date of purchase.
- **After-Sales Support:** Dedicated 24-hour after-sales support is available to assist with any questions or concerns.
- **Return Policy:** 30-day unsatisfied return refund policy.
- **Parts Replacement:** 90 days of free parts replacement.

For assistance, please contact our customer service team via email or phone. Please have your order number and product model (FSV005) ready when contacting support.

