

Manuals.plus /

› SMALLRIG /

› SmallRig F60 Modular Follow Focus Instruction Manual

SMALLRIG F60

SmallRig F60 Modular Follow Focus Instruction Manual

Model: F60

Overview

What's in the Box

Setup

Operating

Maintenance

Troubleshooting

Specifications

Warranty & Support

1. OVERVIEW

The SmallRig F60 Modular Follow Focus is designed for precise and smooth lens focus control during video recording. It features an optimized core drive mechanism for zero-backlash focus tracking, ensuring accuracy. The unit has a refined appearance with a wooden texture and offers improved damping adjustment with a wide range of focus angles for enhanced user experience.



Image: SmallRig F60 Modular Follow Focus highlighting its synchronous drive for precise focus tracking.

2. WHAT'S IN THE BOX

- Modular Follow Focus F60 x 1
- Φ 15mm Rod x 1
- 15mm Single Rod Clamp x 1
- Snap-on Gear Ring x 1
- Allen Wrench x 1
- Carrying Bag x 1
- Operating Instruction x 1
- Use Manual x 1
- Guarantee Card x 1



Image: Diagram showing all components included in the SmallRig F60 Modular Follow Focus package.

3. SETUP

3.1 Attaching the 15mm Rod Clamp

1. Secure the 15mm Single Rod Clamp to your camera cage or rig using the provided screws.
2. Insert the Φ 15mm Rod into the rod clamp and tighten the locking mechanism.

3.2 Mounting the Follow Focus

1. Slide the Modular Follow Focus F60 onto the 15mm rod.
2. Position the follow focus so that its gear aligns with your lens's focus or zoom ring.
3. Tighten the locking knob on the follow focus to secure it to the rod.

3.3 Attaching the Snap-on Gear Ring

If your lens does not have integrated gear teeth, use the provided Snap-on Gear Ring:

1. Wrap the Snap-on Gear Ring around your lens's focus or zoom ring.
2. Ensure the gear ring is snug and its teeth engage properly with the follow focus gear.

3.4 Lens Compatibility Notes

The silicone gear is compatible only with DSLR and mirrorless lenses. Please remove it before using cinema lenses.

NOTE



The wood grain color may vary per follow focus.



The silicone gear is compatible only with DSLR and mirrorless lenses. Please remove it before using cinema lenses.

Image: Visual guide for lens compatibility, showing various compatible lenses and noting incompatibility with pancake and tilt-shift lenses.

4. OPERATING

4.1 Wide-range Stepless Damping Adjustment

The innovative stepless damping adjustment allows dynamic damping control within a range of 0.6kgf-1.8kgf. Adjust the damping knob to suit your preference for different lens damping levels.

Adjustable Damping & Gear Left / Right Rotation

The adjustable dynamic damping adjustment from **0.6kgf** to **1.8kgf** accommodates different diameter lenses, for perfect focusing control

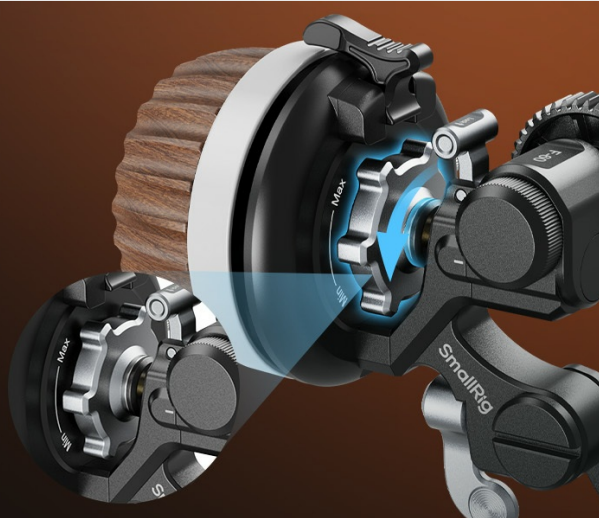


Image: Illustration of the adjustable damping mechanism and the ability to switch gear rotation direction.

4.2 Adjustable A/B Marks & 3-Step Reversible Rotation

The A/B marks are adjustable, supporting 3-step quick lens reversal switching and 2-step A/B stops setting and release. This meets the requirement of 360° infinite zoom and allows easy switching between A/B focal length and full focal length.



Synchronous Drive, Precise Focus Tracking

SmallRig Modular Follow Focus 5163 is engineered for precise and smooth lens focus control during video shooting.

Image: Visual guide on how to set and release the 2-step A/B stops on the follow focus.

4.3 Quickly Forward / Reverse Switch

The F60 features an innovative one-button pull design, which makes reverse switching and alignment fast and simple. This allows you to change the direction of the gear rotation to match your lens's focus ring direction.



Wooden Texture Upgrade & Anti-slip Design

The follow focus optimizes the Sapele texture, which improves the anti-slip experience and makes it easier to adjust the damping and has a wider rocker adjustment angle

Image: Demonstration of the quick forward/reverse switch mechanism on the follow focus.

5. MAINTENANCE

The follow focus optimizes the Sapele texture, which improves the anti-slip experience and makes it easier to adjust the damping and has a wider rocker adjustment angle.

Quickly Forward / Reverse Switch

The F60 has an innovative one-button pull design, which makes reverse switching and alignment fast and simple.



Image: Detail of the Sapele wooden texture on the follow focus wheel, designed for enhanced grip.

Note:

- The wood grain color may vary per follow focus unit.
- The silicone gear is compatible only with DSLR and mirrorless lenses. Please remove it before using cinema lenses.

6. TROUBLESHOOTING

- **A/B Stops Friction Noise:** Ensure A/B stops are completely locked to prevent friction noise.
- **Twist Lock Slipping:** The twist lock needs to be securely locked during use to prevent slipping.

7. SPECIFICATIONS

Feature	Detail
Model Name	F60
Brand	SMALLRIG
Item Weight	250 Grams
Product Dimensions	132mm x 85mm x 67mm (5.2 x 3.3 x 2.6 inches)
Materials	AL6061, ABS, PC, POM9044, Wood, Silicone, Stainless Steel 304
Damping Adjustment Range	0.6kgf - 1.8kgf (Stepless)
A/B Stops	Adjustable, 2-step setting and release
Rotation	3-step quick lens reversal switching
Rod Compatibility	15mm Rod

8. WARRANTY & SUPPORT

8.1 Warranty

This product comes with a 2-Year Manufacturer Warranty.

8.2 Support

For further assistance, technical support, or to inquire about replacement parts, please visit the official SmallRig store or contact their customer service directly.

SmallRig Store: Visit the SmallRig Store on Amazon