



Manuals.plus /

› INFANS /

› INFANS 3-in-1 Baby Bassinet, Bedside Sleeper, and Rocking Cradle Instruction Manual (Model BC10146)

INFANS BC10146

INFANS 3-in-1 Baby Bassinet, Bedside Sleeper, and Rocking Cradle Instruction Manual

Model: BC10146

1. INTRODUCTION

Thank you for choosing the INFANS 3-in-1 Baby Bassinet. This product is designed to provide a safe and comfortable sleeping environment for your infant, offering versatility as a standalone bassinet, a bedside sleeper, and a rocking cradle. Please read this manual thoroughly before assembly and use to ensure proper operation and safety.

2. SAFETY INFORMATION

WARNING: Failure to follow these warnings and instructions could result in serious injury or death.

- **Age and Weight Limit:** This bassinet is suitable for infants from 0 to 6 months old, with a maximum weight capacity of 20 lbs (9 kg). Discontinue use when the infant begins to push up on hands and knees, or has reached the maximum weight, whichever comes first.
- **Suffocation Hazard:** Infants can suffocate in gaps between an extra mattress and the side of the bassinet, or on soft bedding. Use only the mattress provided by the manufacturer. NEVER add a pillow, comforter, or another mattress for padding.
- **Strangulation Hazard:** Keep cords, straps, and loose items away from the bassinet. Ensure bedside sleeper attachment straps are securely fastened to the adult bed frame.
- **Fall Hazard:** Always ensure all locking mechanisms are engaged before placing an infant in the bassinet. Never leave an infant unattended in the bassinet.
- **Assembly:** Adult assembly is required. Ensure all parts are correctly assembled and securely fastened before use.
- **Placement:** Do not place the bassinet near windows where cords from blinds or drapes could strangle a child. Do not place near heaters, open flames, or other heat sources.

3. PARTS LIST

Before assembly, verify that all components are present:

1. Main Bassinet Frame (with fabric and wheels)
2. Mattress
3. Storage Basket Fabric
4. Storage Basket Frame
5. Rocking Arcs (2 pieces)
6. Bedside Attachment Straps (2 pieces)



Image: A visual representation of all components included in the INFANS 3-in-1 Baby Bassinet package, laid out on a wooden floor.

4. ASSEMBLY INSTRUCTIONS

Follow these steps carefully to assemble your INFANS 3-in-1 Baby Bassinet.

4.1. Initial Frame Setup

1. Unfold the main bassinet frame. Ensure the legs are fully extended and locked into place.
2. Attach the rocking arcs (if desired for rocking cradle mode) to the designated slots on the bassinet legs. Press firmly until they click into place.

4.2. Attaching the Storage Basket

3. Slide the storage basket frame into the fabric basket.
4. Attach the storage basket to the bottom of the bassinet frame using the provided clips or fasteners. Ensure it is securely attached on all sides.

4.3. Inserting the Mattress

5. Place the mattress firmly into the bassinet. Ensure it lies flat and there are no gaps between the mattress and the bassinet sides.

4.4. Visual Assembly Guide

Your browser does not support the video tag.

Video: An official INFANS video demonstrating the step-by-step assembly process of the 3-in-1 Baby Bassinet, including attaching the frame, storage basket, and mattress.

5. OPERATING INSTRUCTIONS

5.1. 3-in-1 Convertible Modes

The INFANS bassinet offers three modes:

- **1. Standalone Bassinet:** Use as a traditional bassinet in any room. Ensure wheels are locked if stationary.
- **2. Bedside Sleeper:** For co-sleeping, lower one side of the bassinet by unzipping the fabric. Extend the bassinet legs to reach your bed. Securely attach the bassinet to the adult bed frame using the provided

bedside attachment straps. Ensure there are no gaps between the bassinet and the adult mattress.

- **3. Rocking Cradle:** If the rocking arcs are attached, unlock the wheels and gently push the bassinet to initiate a rocking motion. The bassinet rocks approximately 8 degrees.

3-in-1 Convertible Design



1 Bassinet



2 Bedside Sleeper



3 Cradle

Image: Illustrates the three convertible modes: standalone bassinet, bedside sleeper, and rocking cradle, highlighting the versatility of the product.

Cradle Mode

Shake
About 8°

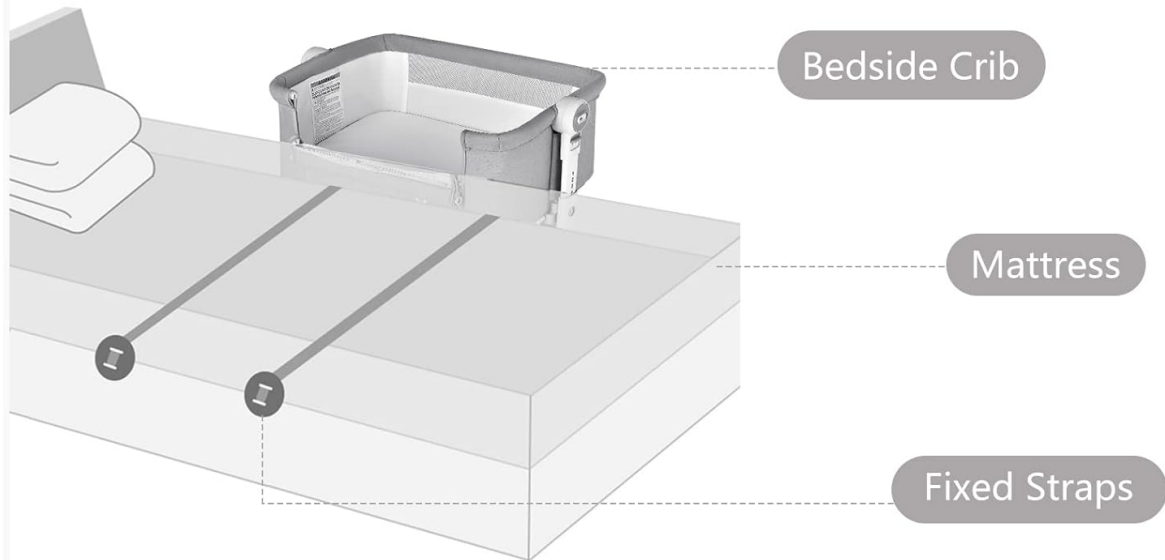


Press and push
the slider

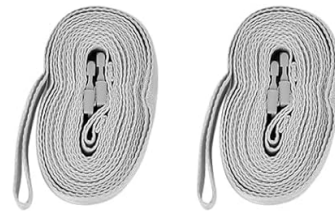
Image: Shows the bassinet in rocking cradle mode, demonstrating the gentle 8-degree rocking motion and how to engage it.

Baby Bedside Sleeper

Connect to parents' bed for better care



Move legs and get closer to the bed



2 Straps Included

Image: Depicts the bassinet configured as a bedside sleeper, showing how it connects to an adult bed with fixed straps for secure co-sleeping.

5.2. Height Adjustment

The bassinet features 7-level adjustable heights, ranging from 29 inches to 33.5 inches (73.6 cm to 85 cm), to match various bed heights or usage scenarios.

1. Locate the height adjustment buttons on the side of the bassinet frame.
2. Press the buttons and simultaneously lift or lower the bassinet to the desired height. Ensure both sides are adjusted to the same level and click securely into place.

7-level Adjustable Heights

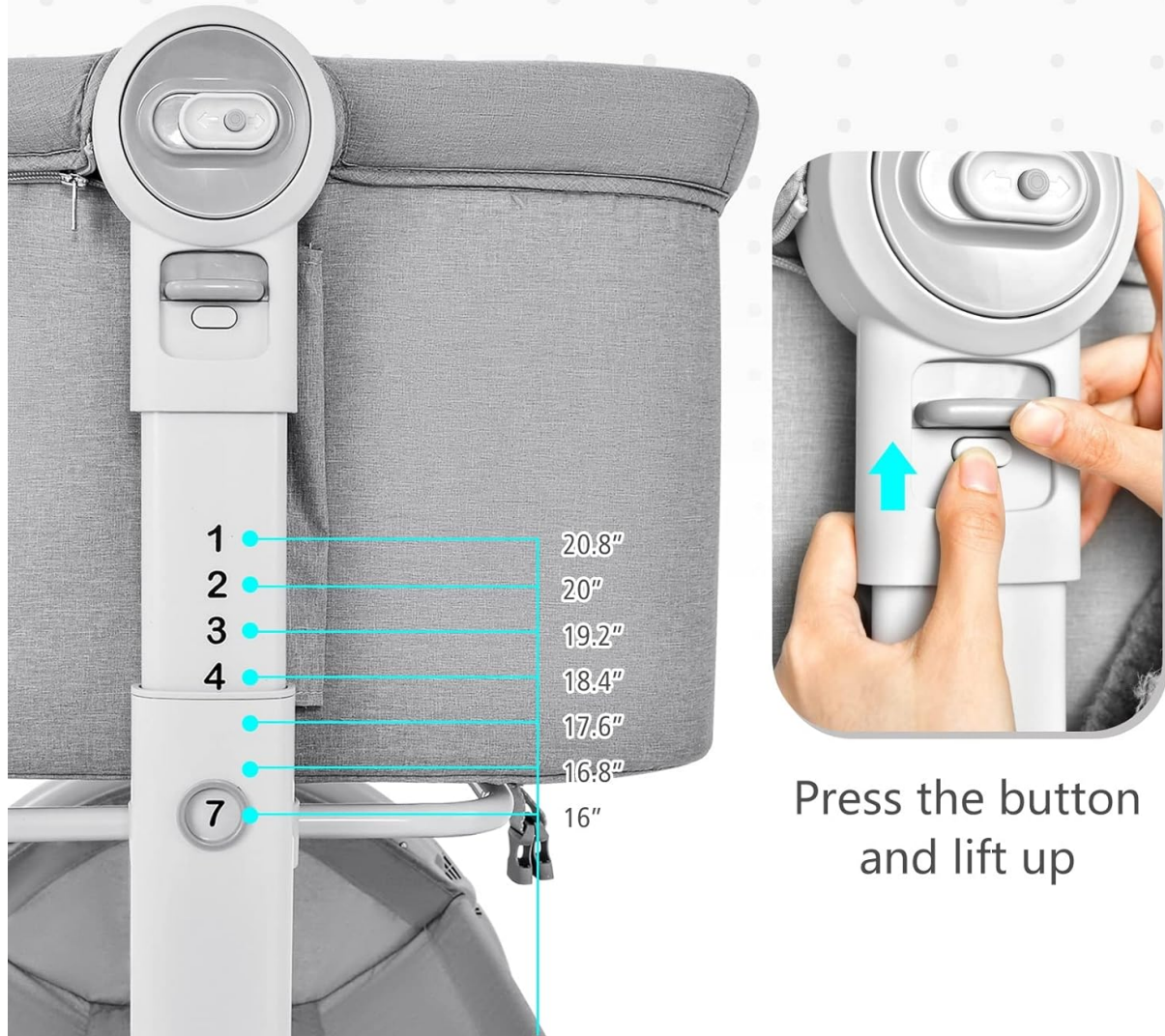


Image: Illustrates the 7-level height adjustment mechanism of the bassinet, showing the different height settings and how to operate the adjustment button.

5.3. Wheels and Brakes

The bassinet is equipped with four universal wheels for easy mobility. Each wheel has a brake mechanism.

- To move the bassinet, ensure all brakes are disengaged.
- To keep the bassinet stationary, push down on the brake levers on each wheel until they lock.

Product Size

Suitable Age:
0-6 Months

Crib Weight
Capacity: 20 lbs

Basket Weight
Capacity: 33 lbs

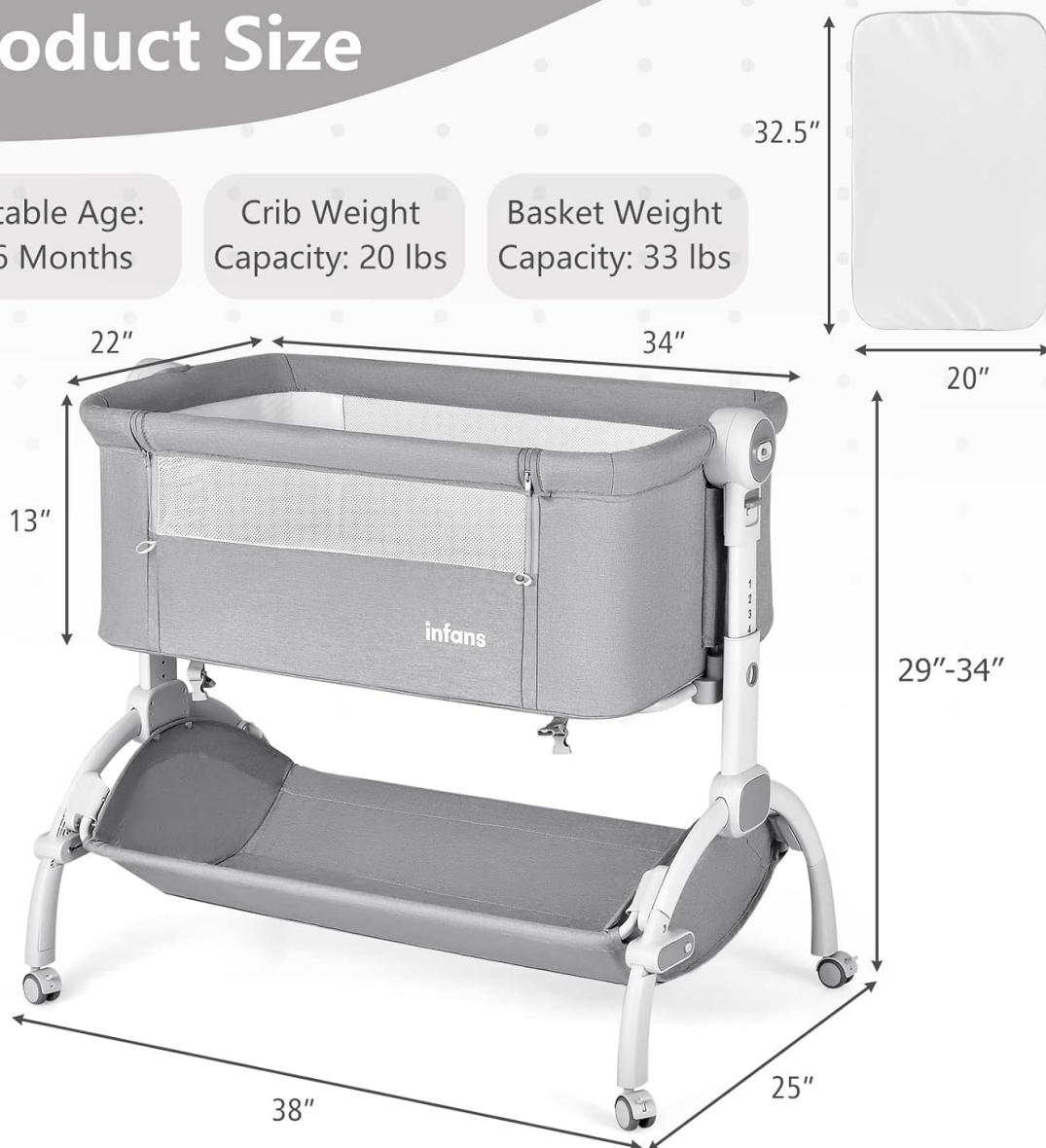


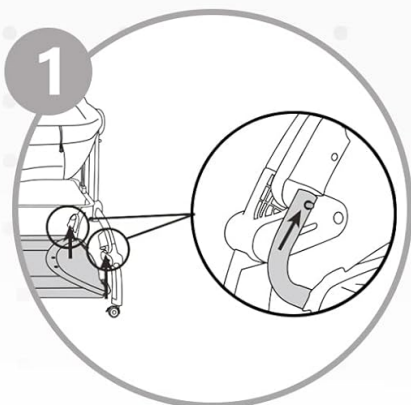
Image: Highlights the silent universal wheels with integrated brakes, demonstrating how to engage and disengage the wheel locks for mobility or stability.

5.4. Folding and Portability

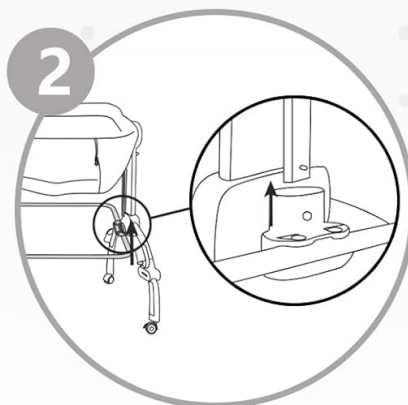
The bassinet features an easy folding design for storage and transport.

1. Remove the mattress and any items from the storage basket.
2. Follow the reverse steps of assembly to collapse the frame.
3. Once folded, place the bassinet into the included travel bag for convenient transportation.

Foldable to Store and Carry



Remove the basket



Disassemble the bars



Fold the legs



Put into the carry bag

Image: A four-panel graphic illustrating the steps to fold the bassinet for storage and transport, including removing the basket, disassembling bars, folding legs, and placing it in the carry bag.

6. MAINTENANCE AND CARE

- **Fabric Care:** The fabric components, including the mattress cover, are machine washable. Use a gentle cycle with cold water and mild detergent. Do not bleach. Air dry or tumble dry on low heat.
- **Frame Cleaning:** Wipe the metal and plastic parts of the frame with a damp cloth and mild soap. Dry thoroughly.
- **Regular Inspection:** Periodically check all screws, bolts, and fasteners to ensure they are tight and secure. Inspect for any damaged or broken parts. Discontinue use if any part is damaged.
- **Storage:** When not in use, store the bassinet in a clean, dry place, preferably in its travel bag, to protect it from dust and damage.

7. TROUBLESHOOTING

If you encounter any issues with your INFANS 3-in-1 Baby Bassinet, please refer to the following common solutions:

Problem	Possible Cause	Solution
Bassinet is unstable or wobbly.	Legs not fully extended or locked; fasteners loose.	Ensure all legs are fully extended and locked. Check and tighten all screws and fasteners.
Height adjustment mechanism is stuck.	Buttons not fully pressed; debris in mechanism.	Press both adjustment buttons completely. Check for any obstructions and clear them.
Wheels are not rolling smoothly.	Brakes engaged; debris in wheels.	Ensure all wheel brakes are disengaged. Clean any debris from the wheels.
Bedside sleeper straps do not secure properly.	Incorrect attachment; straps not tightened.	Refer to Section 5.1 for correct bedside sleeper setup. Ensure straps are routed correctly and pulled taut.

8. SPECIFICATIONS

- **Model:** BC10146
- **Color:** Grey
- **Product Dimensions (L x W x H):** 38" x 25" x 29"-33.5" (96.5 cm x 63.5 cm x 73.6-85 cm)
- **Frame Material:** Iron
- **Fabric Material:** Cotton
- **Item Weight:** 20 lbs (9 kg)
- **Recommended Age:** 0-6 Months
- **Crib Weight Capacity:** 20 lbs (9 kg)
- **Storage Basket Weight Capacity:** 33 lbs (15 kg)
- **Height Adjustment:** 7 levels
- **Rocking Angle:** Approximately 8 degrees

Silent Universal Wheels with Brake



Image: A detailed diagram showing the dimensions and key specifications of the INFANS Baby Bassinet, including suitable age, weight capacities, and overall size.

9. WARRANTY AND SUPPORT

For warranty information, product support, or to order replacement parts, please contact INFANS customer service directly. Keep your purchase receipt for warranty claims.

Manufacturer: INFANS

Website: Visit the INFANS Store on Amazon