

[Manuals.plus](#) /

> [ienRon](#) /

> ienRon 10-Port Gigabit Ethernet Switch User Manual

ienRon 10 Ports|8 Ports Gigabit+2xUPLINK Ports

ienRon 10-Port Gigabit Ethernet Switch User Manual

Model: 10 Ports|8 Ports Gigabit+2xUPLINK Ports

1. INTRODUCTION

This manual provides comprehensive instructions for the installation, operation, and maintenance of your ienRon 10-Port Gigabit Ethernet Switch. This unmanaged network switch is designed for high-performance network expansion, offering 8 Gigabit Ethernet ports and 2 Gigabit uplink ports. It features a fanless metal design for quiet operation and durability, along with 4KV lightning protection for enhanced reliability.

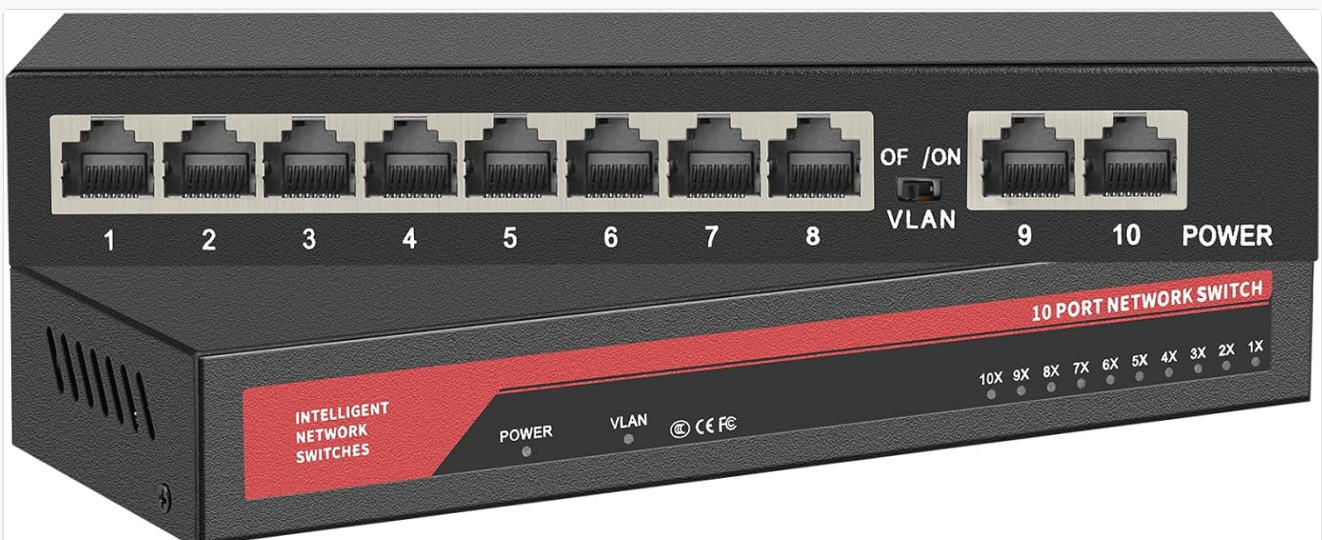


Image: Front view of the ienRon 10-Port Gigabit Ethernet Switch, showcasing its compact design and port layout.

2. PACKAGE CONTENTS

Please verify that all items listed below are included in your package. If any item is missing or damaged, please contact ienRon customer support.

- 1 x ienRon 10-Port Gigabit Ethernet Switch
- 1 x Power Adapter
- 1 x User Manual

Video: Unboxing the ienRon 10-Port Gigabit Ethernet Switch, showing the contents of the package including the switch unit, power adapter, and user manual.

3. PRODUCT OVERVIEW

The ienRon 10-Port Gigabit Ethernet Switch features a robust metal casing and a clear port layout for easy identification and connection.

3.1 Front Panel



Image: Detailed view of the switch's front and back panels, highlighting port numbers, VLAN switch, and power input.

- **Ports 1-8:** 10/100/1000Mbps Gigabit Ethernet ports for connecting network devices.
- **VLAN Switch:** Toggles between Normal mode (OFF) and VLAN mode (ON).

- **Ports 9-10:** 10/100/1000Mbps Gigabit Uplink ports, typically used for connecting to a router or main network.
- **Power Port:** Connects to the included power adapter.

3.2 LED Indicators

The switch features LED indicators to provide status information:

- **Power LED:** Indicates the power status of the device.
- **VLAN LED:** Indicates the status of the VLAN mode (on/off).
- **Link/Act LEDs (per port):**
 - Solid Green: A stable network link is established.
 - Flashing Green: Data is being transmitted or received through the port.

Video: A 360-degree view of the ienRon 10-Port Gigabit Ethernet Switch, highlighting the 8 standard Gigabit ports and 2 Gigabit uplink ports.

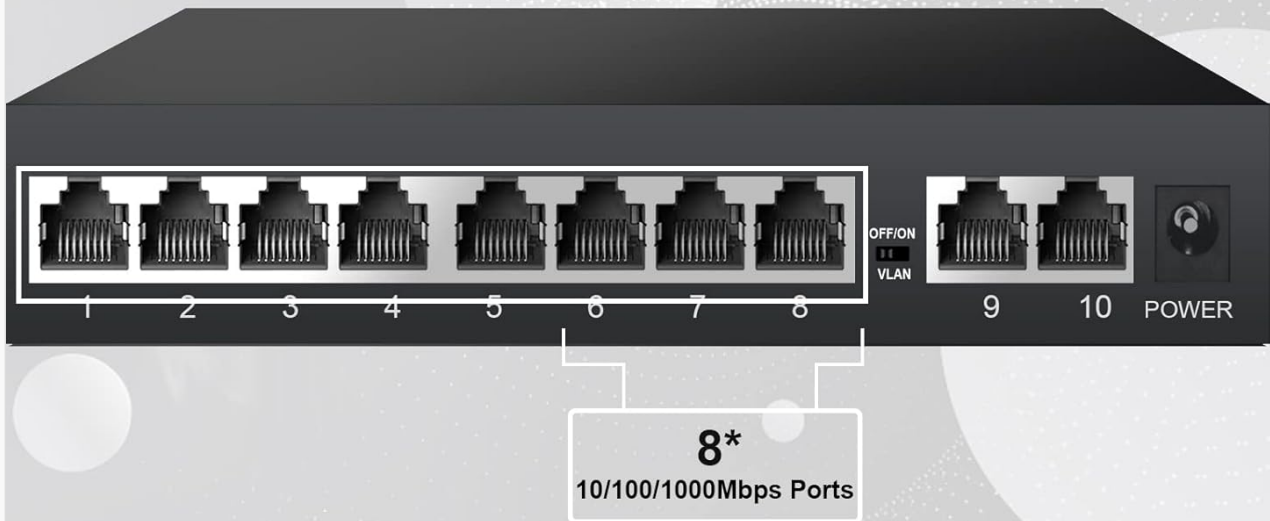
4. SETUP

The ienRon 10-Port Gigabit Ethernet Switch is a plug-and-play device, requiring no software installation or configuration.

4.1 Connecting the Power Adapter

1. Connect the power adapter to the power port on the switch.
2. Plug the other end of the power adapter into a standard electrical outlet.
3. The Power LED on the switch will illuminate, indicating it is receiving power.

10-Port Gigabit Ports(5V1.5A)



 **Built-in Power Supply**

 **External Power Supply**

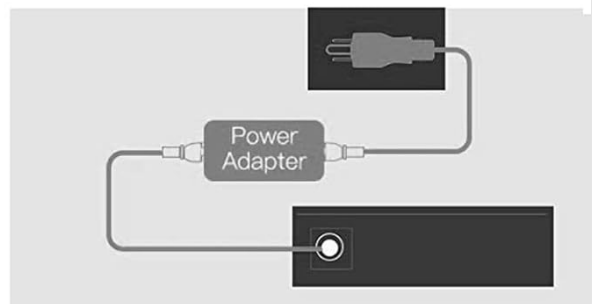
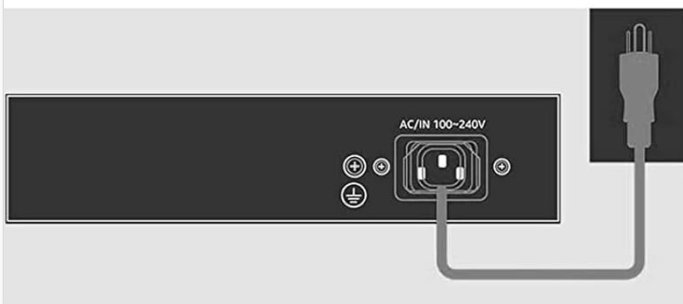


Image: Step-by-step diagram illustrating the connection of the power adapter to the switch and a wall outlet.

4.2 Connecting Network Devices

1. Connect your router or modem to one of the uplink ports (Port 9 or 10) using an Ethernet cable.
2. Connect your network devices (e.g., computers, printers, IP cameras, gaming consoles) to any of the standard Gigabit ports (Port 1-8) using Ethernet cables.
3. The corresponding Link/Act LEDs will light up, indicating a successful connection.

Support Desktop Mount



Support Wall Mount



Image: Diagram demonstrating the connection of multiple network devices such as a router, computer, printer, and IP camera to the switch.

5. OPERATING THE SWITCH

The ienRon 10-Port Gigabit Ethernet Switch operates automatically once connected. The primary operational setting is the VLAN mode.

5.1 VLAN Mode

The switch features a VLAN (Virtual Local Area Network) switch to control port isolation:

- **VLAN OFF (Normal Mode):** In this default mode, all ports (1-10) can communicate with each other, allowing for standard network traffic flow across all connected devices.
- **VLAN ON (Isolation Mode):** When the VLAN button is set to ON, ports 1 through 8 are isolated from each other. They can only communicate with the uplink ports (Port 9 and 10). This mode enhances network security and can improve processing capacity by segmenting traffic.

Expand Ports for Various Device



Image: Visual representation of the VLAN mode, showing how ports 1-8 are isolated from each other but can communicate with uplink ports 9 and 10 when VLAN is enabled.

Video: Demonstration of connecting network cables and toggling the VLAN switch on the ienRon 10-Port Gigabit Ethernet Switch, showing the effect on port communication.

6. MAINTENANCE

To ensure optimal performance and longevity of your ienRon Gigabit Ethernet Switch, follow these maintenance guidelines:

- **Cleaning:** Use a soft, dry cloth to clean the exterior of the switch. Do not use liquid or aerosol cleaners.
- **Ventilation:** Ensure the switch is placed in a well-ventilated area. Do not block the ventilation slots.
- **Environment:** Operate the switch within the recommended temperature range of 5°C to 50°C (41°F to 122°F). Avoid extreme humidity or direct sunlight.
- **Cable Management:** Keep network cables organized and free from kinks or excessive bending to prevent signal degradation.

7. TROUBLESHOOTING

If you encounter issues with your ienRon Gigabit Ethernet Switch, refer to the following common problems and solutions:

- **No Power:**
 - Ensure the power adapter is securely connected to the switch and a working electrical outlet.
 - Verify the power outlet is functional by plugging in another device.
- **No Link/Activity LED:**
 - Check that the Ethernet cable is securely connected to both the switch port and the network device.
 - Try a different Ethernet cable to rule out cable failure.
 - Ensure the connected device is powered on and functioning correctly.
- **Slow Network Speed:**
 - Verify that all connected devices and cables support Gigabit Ethernet speeds.
 - Check for excessive network traffic or bandwidth-intensive applications.
 - Ensure the VLAN switch is in the appropriate mode for your network configuration.
- **Devices Cannot Communicate (VLAN Mode):**
 - If devices connected to ports 1-8 cannot communicate with each other, ensure the VLAN switch is set to OFF (Normal Mode).
 - In VLAN ON mode, ports 1-8 are isolated and only communicate with uplink ports 9 and 10.

If the problem persists after trying these steps, please contact ienRon customer support for further assistance.

8. SPECIFICATIONS

Feature	Description
Brand	ienRon
Model Number	10 Ports 8 Ports Gigabit+2xUPLINK Ports
Number of Ports	10 (8 Gigabit Ethernet, 2 Gigabit Uplink)
Interface Type	RJ45
Data Transfer Rate	10/100/1000 Mbps (Gigabit)
Case Material	Metal
Maximum Power Consumption	2.5 Watts
Operating Temperature	5°C to 50°C (41°F to 122°F)
Current Rating	2.5 Amps
Product Dimensions	7.87 x 3.94 x 1.97 inches
Item Weight	0.4 Kilograms (14 ounces)

Special Features

Unmanaged, Plug & Play, Fanless Design, 4KV Lightning Protection, VLAN Mode

9. WARRANTY AND SUPPORT

For warranty information or technical support, please refer to the documentation included with your product or visit the official ienRon website. If you require assistance, please contact ienRon customer service directly.



© 2023 ienRon. All rights reserved.