



Manuals.plus /

- › MELPO /
- › MELPO 50W RGB LED Flood Light Outdoor with Remote - User Manual

MELPO BRFL-FL03

MELPO 50W RGB LED Flood Light Outdoor with Remote - User Manual

Brand: MELPO | Model: BRFL-FL03

INTRODUCTION

This manual provides essential information for the safe and effective use of your MELPO 50W RGB LED Flood Light. This outdoor RGB color-changing flood light offers a wide range of applications, suitable for stage lighting, uplighting, spotlighting, background lighting, and LED wall wash effects. Please read these instructions thoroughly before installation and operation.



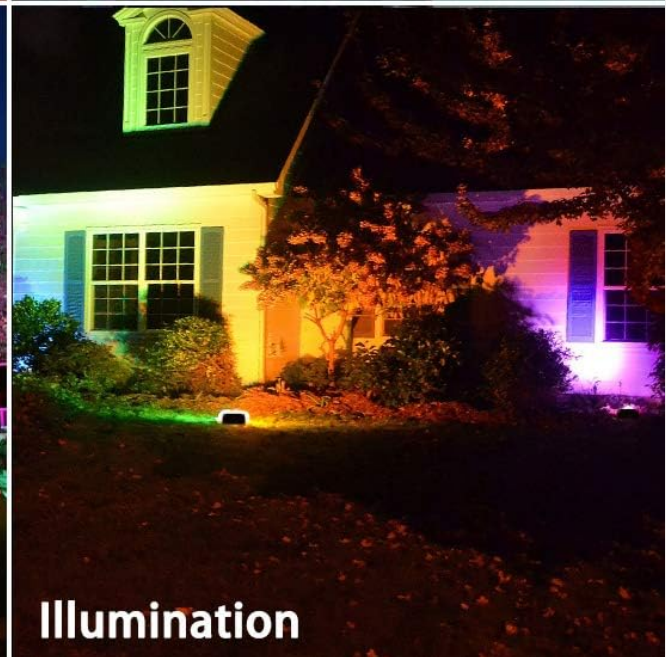
Indoor



Outdoor



Patio



Illumination

Image: MELPO RGB LED Flood Lights demonstrating versatile use in indoor, outdoor, patio, and general illumination settings.

PACKAGE CONTENTS

Verify that all items listed below are included in your package:

- 4 x MELPO 50W RGB Flood Lights
- 4 x IR Remote Controls
- 1 x User Manual

PRODUCT FEATURES

The MELPO 50W RGB LED Flood Light offers advanced features for dynamic lighting:

- **50W RGB Flood Light with Remote:** Features 4 modes and 12 RGB colors, with a timing function and IP66 waterproof rating for decoration and atmosphere lighting.
- **Built-in Timing Chips:** Allows setting your preferred color to automatically turn on and off daily.
- **4 Lighting Modes:** Includes Fresh, Romantic, Smooth, and DIY Flash modes. The DIY Flash mode allows

customization of color change order and flashing speed, or setting a single color to flash.

- **Original Wavelength Craft:** Equipped with high-brightness RGB LED chips, ensuring bright, accurate colors that resist fading over long-term use.

- ▶ 50W Rgb lights
- ▶ 12 rgb colors
- ▶ White light (RGB mixed)
- ▶ Dimmable
- ▶ Timing function
- ▶ 3 preset mode
- ▶ 1 custom mode (DIY flash mode)
- ▶ White strobe
- ▶ 90V-240V universal

50W **IP66**

BRFL-FLO3
LED FLOOD LIGHT
85-265V 50/60Hz

CE RoHS FC UK CA

 **IP66 WATERPROOF**

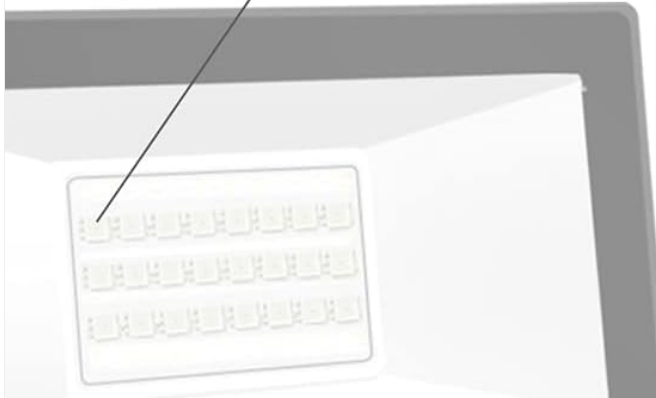
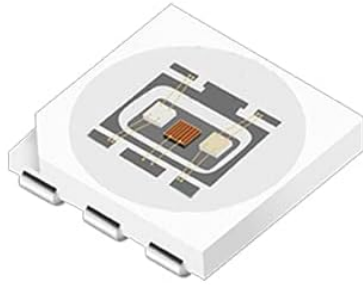
Image: Overview of the MELPO 50W RGB Flood Light's key features, including color options, modes, and waterproof rating.

Chip comparison

Ours

(Original wavelength craft)

Color is vivid and true, it won't be faded after long-time using. ✓



Others

(Phosphor color mixing craft)

- ✗ Color is not accurate, especially red, orange, purple, yellow and other colors.
- ✗ After half a year of using, the light decay is serious. The color is far from the original.



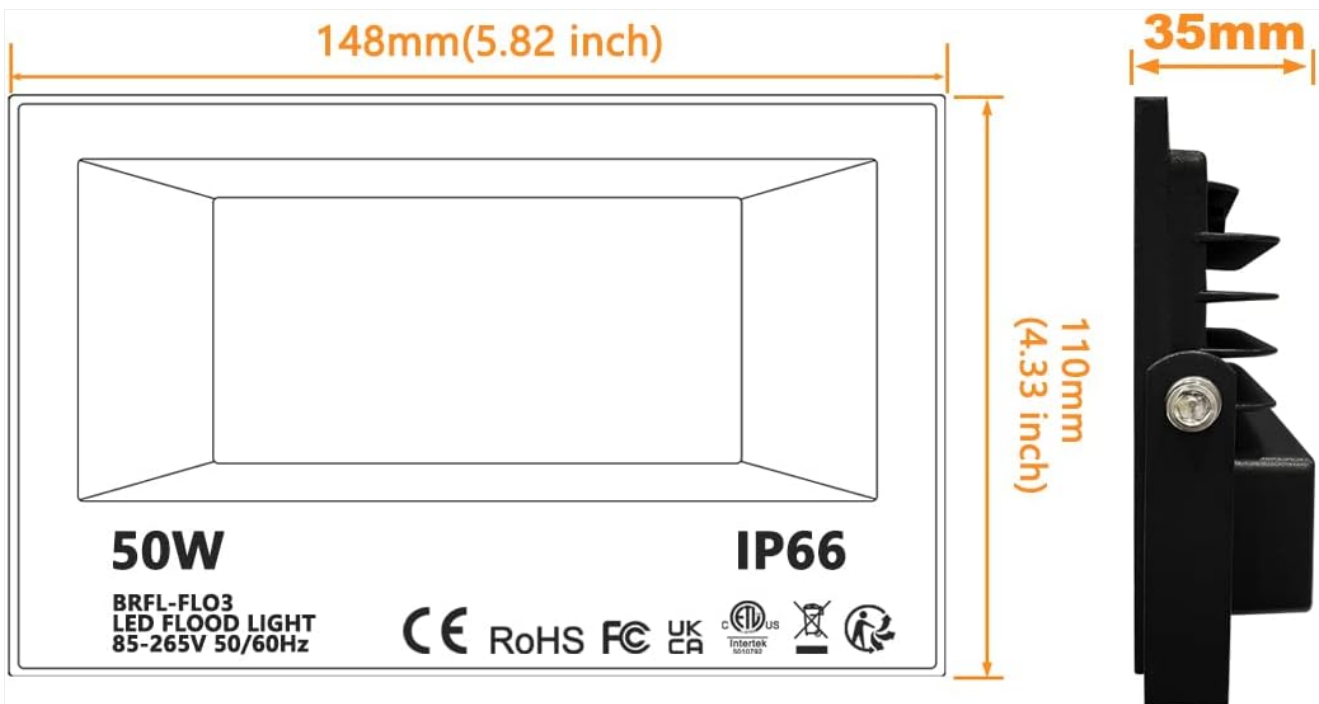
Image: Comparison highlighting the superior color accuracy and longevity of MELPO's original wavelength craft LED chips.

SETUP INSTRUCTIONS

Follow these steps to set up your MELPO Flood Light:

1. **Unpack:** Carefully remove the flood light and all accessories from the packaging.
2. **Mounting:** The flood light features a 360-degree adjustable bracket. Securely mount the light to a stable surface using appropriate hardware (not included). Ensure the mounting location provides adequate support and allows for desired light direction.
3. **Power Connection:** Connect the standard US 3-plug to a compatible power outlet (85-265V AC). The cable length is 5.91ft (1.8m).
4. **Positioning:** Adjust the light's angle to achieve the desired illumination.

Important: The flood light is IP66 waterproof, meaning it is protected against powerful water jets. However, **do not submerge it into water.**



- > Wire Length 2M
- > Standard US 3-Plug
- > Operation life 50,000hours
- > AC 90-265V
- > IP66 Waterproof

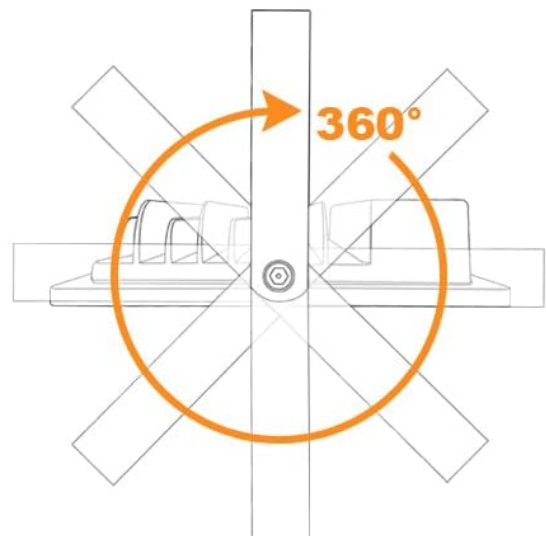
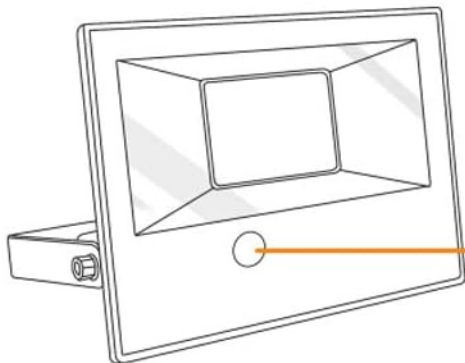
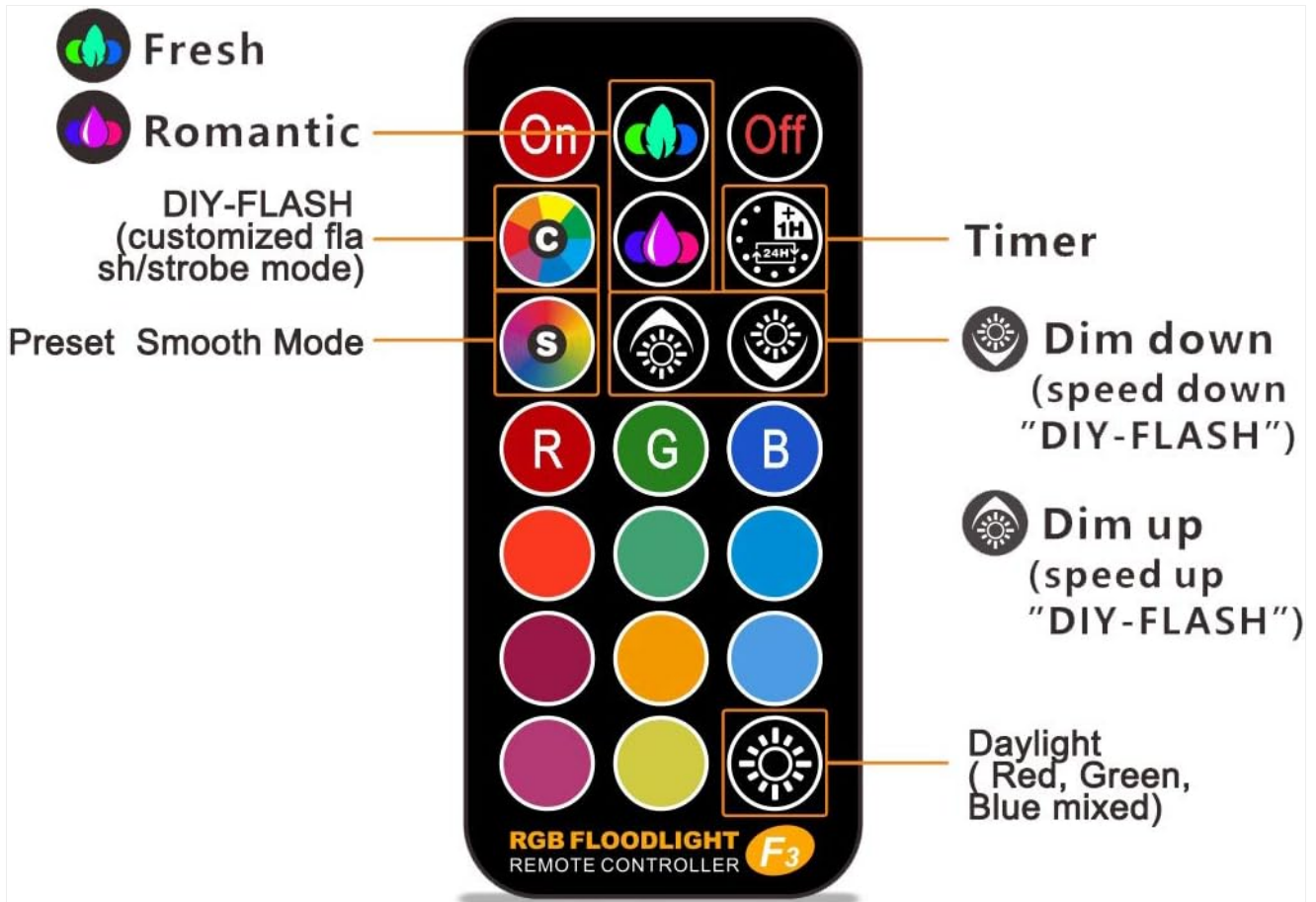


Image: Technical diagram illustrating the dimensions, power specifications, and adjustable mounting of the MELPO Flood Light.

OPERATING INSTRUCTIONS

Control your MELPO Flood Light using the included IR remote control:

1. **Power On/Off:** Press the 'On' or 'Off' button on the remote to power the light.
2. **Color Selection:** Choose from 12 distinct RGB colors by pressing the corresponding color buttons on the remote.
3. **Mode Selection:** Select from 4 preset modes: 'Fresh', 'Romantic', 'Smooth', or 'DIY Flash'.
4. **DIY Flash Mode:** In DIY Flash mode, use the 'Dim up' and 'Dim down' buttons to adjust the flashing speed. You can also customize the order of color changes.
5. **Brightness Adjustment:** Use the brightness control buttons to increase or decrease the light intensity.
6. **Timing Function:** Utilize the timer buttons to set the light to turn on and off automatically at specific times each day. The light has a memory function to retain your last settings.



IR signal acceptor

Image: Detailed layout of the remote control for the MELPO Flood Light, indicating functions for color, mode, brightness, and timing.



Image: Demonstration of the timing function, showing lights automatically turning on and off at set times in an outdoor environment.

MAINTENANCE

To ensure the longevity and optimal performance of your MELPO Flood Light:

- **Cleaning:** Periodically wipe the glass surface and aluminum housing with a soft, damp cloth to remove dust and debris. Do not use harsh chemicals or abrasive cleaners.
- **Inspection:** Regularly check the power cable and plug for any signs of damage. Ensure all connections are secure.
- **Outdoor Use:** While IP66 rated, avoid prolonged exposure to extreme weather conditions if possible, and ensure the light is not submerged in water.

TROUBLESHOOTING

If you encounter issues with your flood light, refer to the following common problems and solutions:

Problem	Possible Cause	Solution
Light does not turn on.	No power supply; loose connection; remote battery depleted.	Check power outlet and connections. Replace remote battery.
Remote control not responding.	Remote battery depleted; obstruction between remote and light; remote too far.	Replace remote battery. Ensure clear line of sight to the light's IR receiver. Move closer to the light.
Colors are inaccurate or fading.	Not applicable for MELPO lights due to original wavelength craft.	If this occurs, contact customer support for assistance.

SPECIFICATIONS

Detailed technical specifications for the MELPO 50W RGB LED Flood Light:

Power: 50W

Input Voltage: 85-265V AC

Cable Length: 5.91ft (1.8m)

Dimmable: Yes (via remote control)

Colors: 12 RGB Colors

Preset Modes: 3 (Fresh, Romantic, Smooth)

Custom Mode: 1 (DIY Flash)

Timing Function: Yes

Memory Function: Yes

Beam Angle: 180 Degrees

Waterproof Rating: IP66 (Do not submerge)

Material: Aluminum, Glass

Finish Type: Unfinished

Light Source Type: LED

Mounting Type: Floor Mount (adjustable)

Product Dimensions: 4.33"L x 1.38"W x 5.82"H

Item Weight: 4.93 pounds (for the pack of 4)

Model Number: BRFL-FL03

WARRANTY AND SUPPORT

Your MELPO 50W RGB LED Flood Light comes with a **2-year warranty**.

If you encounter any problems or require assistance, please do not hesitate to contact MELPO customer support. Refer to your purchase documentation or the MELPO brand store on Amazon for contact information.