



Manuals.plus /

› LEDIARY /

› LEDIARY Low Profile Ceiling Fan with Lights User Manual

LEDIARY 68A3fB6BA

LEDIARY Low Profile Ceiling Fan with Lights User Manual

Model: 68A3fB6BA

1. INTRODUCTION

Thank you for choosing the LEDIARY Low Profile Ceiling Fan with Lights. This modern and versatile fixture combines efficient air circulation with adjustable LED lighting, designed to enhance comfort and ambiance in various indoor spaces. This manual provides detailed instructions for safe installation, operation, and maintenance to ensure optimal performance and longevity of your product.

2. SAFETY INFORMATION

Please read all instructions carefully before installation and use. Retain this manual for future reference.

- Ensure power is disconnected at the circuit breaker before installation or maintenance.
- Installation should be performed by a qualified electrician or a person with adequate electrical knowledge.
- Do not attempt to repair or modify the unit yourself. Contact customer support for assistance.
- Keep hands and objects clear of the fan blades during operation.
- This product is designed for indoor use only.

3. PACKAGE CONTENTS

Verify that all components are present before beginning installation:

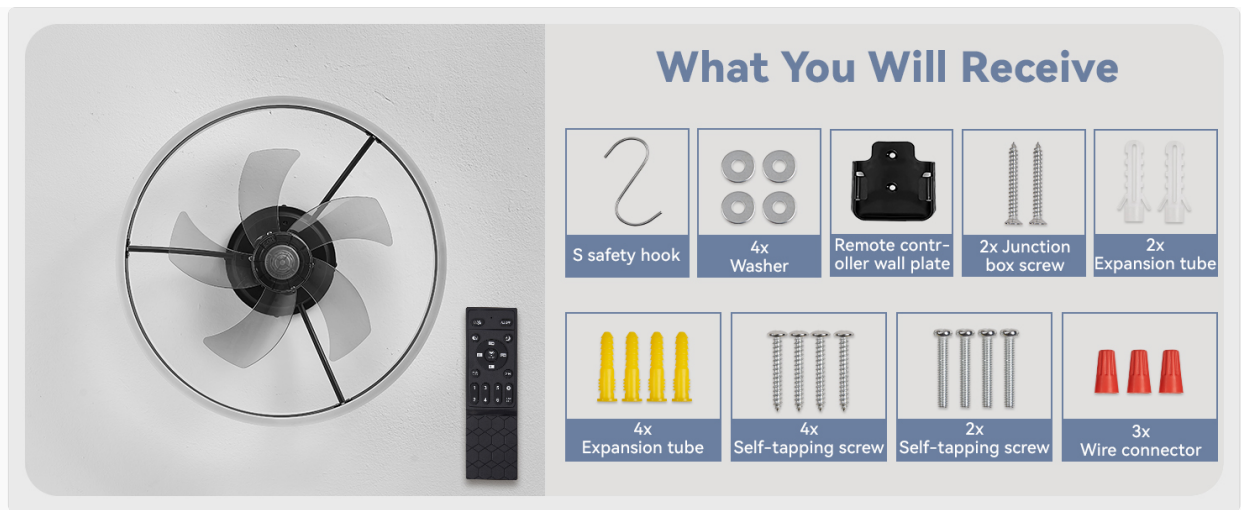


Figure 1: Included Components (S safety hook, Washers, Remote controller wall plate, Junction box screws, Expansion tubes, Self-tapping screws, Wire connectors)

- Ceiling Fan Unit with Integrated LED Light
- Remote Control
- Mounting Bracket
- Hardware Kit (screws, anchors, wire connectors)
- User Manual

4. SETUP AND INSTALLATION

The LEDIARY Low Profile Ceiling Fan is designed for easy installation. Follow these steps carefully:

1. **Prepare the Installation Area:** Ensure the power is off at the circuit breaker. Clear the area around the ceiling electrical box.
2. **Mount the Bracket:** Attach the mounting bracket to the ceiling electrical box using the provided screws. Ensure it is securely fastened and can support the fan's weight.
3. **Wiring:** Connect the fan's electrical wires to your household wiring according to local electrical codes. Typically, this involves connecting live, neutral, and ground wires. Use the provided wire connectors.
4. **Attach the Fan Unit:** Carefully lift the fan unit and align it with the mounting bracket. Secure the fan to the bracket using the designated screws.
5. **Final Check:** Double-check all connections and ensure the fan is securely mounted. Restore power at the circuit breaker.

Reversible Air Circulation

Cool in summer and warm in winter



Figure 2: Product Dimensions and Room Size Suggestion (19.7" diameter, 5.7" height, suitable for rooms up to 8.5ft x 8.5ft with 7ft-10ft height)

5. OPERATING INSTRUCTIONS

Your LEDIARY ceiling fan offers multiple functions controlled via the included remote or a compatible app (Bluetooth required for app control).

5.1 Light Control

The integrated LED light features stepless dimming and adjustable color temperature:

- **Brightness Adjustment:** Adjust brightness from 10% to 100% (3300LM max).
- **Color Temperature:** Seamlessly transition between warm white (3000K) and cool white (6000K).
- **Light Memory Function:** The light will remember your last brightness and color temperature setting when turned off and on again.



Ceiling Fan with LED Light

Stepless color temperature and brightness adjustable



Figure 3: Stepless Color Temperature and Smooth Dimming

5.2 Fan Control

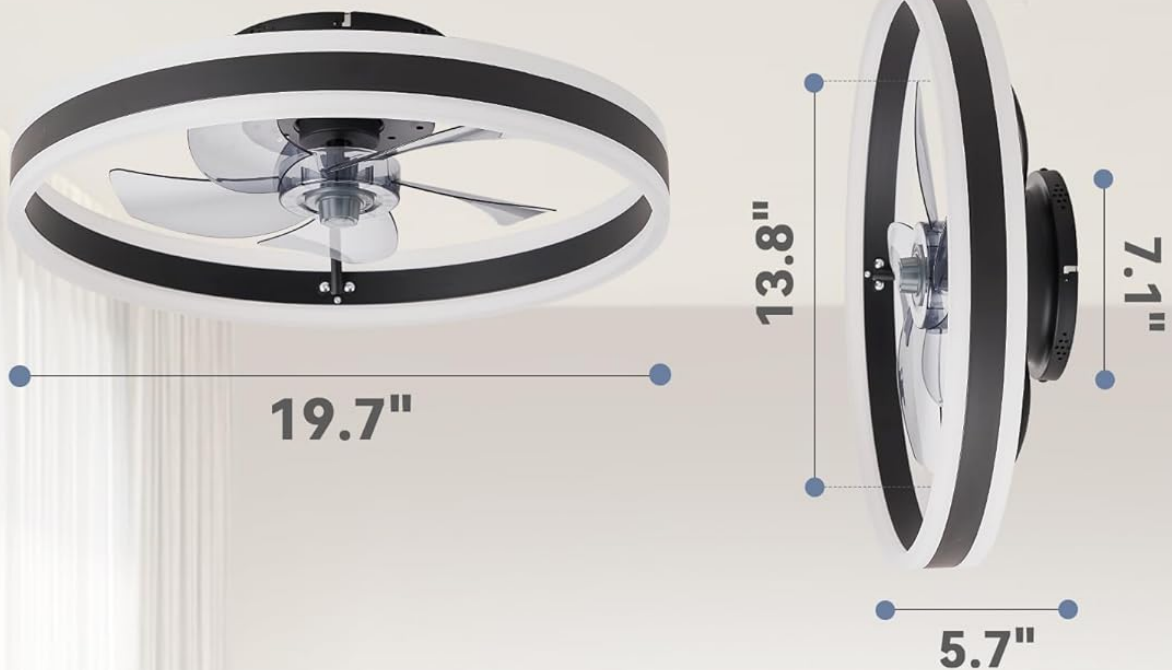
The fan offers multiple speed settings and a reversible motor for year-round comfort:

- **6 Fan Speeds:** Choose from six different fan speeds to suit your comfort level.
- **Reversible Motor:**
 - **Summer Mode (Downdraft):** Creates a cooling breeze by pushing air downwards.
 - **Winter Mode (Updraft):** Circulates warm air trapped near the ceiling by drawing air upwards.
- **Sleep Timer:** Set the fan to turn off automatically after 1 or 2 hours.
- **Noiseless Operation:** The pure copper motor ensures smooth and quiet operation.



Product Size

Room size for suggestion



Room Size:

Height:
7FT-10FT

Length & Width:
UP TO 8.5ft x 8.5ft



120
Volt



3300
LM



Memory
Function



2 Years
Warranty

Figure 4: Reversible Air Circulation for Summer and Winter Modes

5.3 Remote and APP Control

The fan and light can be controlled independently or simultaneously using the remote control or a Bluetooth-enabled app.



The image features the LEDIARY logo at the top left. Below it is the title "Remote & APP Control" in a large, bold, blue font. Underneath the title is a tip: a Bluetooth symbol followed by the text "Tips: APP Control Needs Bluetooth". The central focus is a modern, circular ceiling fan with a white ring and black accents, shown from a top-down perspective. Below the fan, there are five circular icons with corresponding text: a fan icon for "6 Fan Speeds", a clock icon for "Timer Setting", an "F/R" icon for "Reverse Function", a lightbulb icon for "Smooth Dimming", and a moon icon for "Night Light". To the right of these icons, a black remote control and a smartphone displaying the LEDIARY app interface are shown. The app interface includes a fan speed dial, a dimmer slider, and various control buttons. The background is a blurred image of a living room.

Figure 5: Remote and APP Control Interface

- **Remote Control:** The included remote allows full control over light brightness, color temperature, fan speeds, and timer settings.
- **APP Control:** Download the compatible app (requires Bluetooth connection) to control the fan and

light from your smartphone.

6. MAINTENANCE

Regular maintenance helps ensure the long-term performance and appearance of your ceiling fan.

- **Cleaning:** Wipe the fan and light fixture with a soft, damp cloth. Do not use abrasive cleaners or solvents that may damage the finish.
- **Dusting:** Regularly dust the fan blades and light cover to prevent accumulation, which can affect performance and light output.
- **No Lubrication Needed:** The motor is permanently lubricated and does not require additional oiling.

7. TROUBLESHOOTING

If you encounter issues with your LEDIARY ceiling fan, refer to the following common problems and solutions:

| Problem | Possible Cause | Solution |
|----------------------------------|---|--|
| Fan does not operate. | No power supply; Remote control not paired; Loose wiring. | Check circuit breaker; Pair remote control (refer to remote instructions); Verify all wire connections are secure. |
| Light does not turn on. | No power supply; LED module issue. | Check power; Contact customer support if LED module is suspected. |
| Fan makes excessive noise. | Loose screws; Unbalanced blades (unlikely for this model); Obstruction. | Tighten all mounting screws; Ensure nothing is obstructing the fan's movement. |
| Remote control not responding. | Dead batteries; Remote not paired. | Replace batteries; Re-pair the remote control with the fan. |
| Light has a faint glow when off. | Residual current in wiring. | This can sometimes occur with LED fixtures. If persistent and bothersome, consult an electrician. |

8. SPECIFICATIONS

| Feature | Specification |
|--------------------|--|
| Brand | LEDIARY |
| Model Number | 68A3fB6BA |
| Color | Black |
| Material | Iron, Acrylic |
| Product Dimensions | 19.7"L x 19.7"W x 5.7"H |
| Light Source Type | LED |
| Brightness | 3300 LM |
| Color Temperature | 3000K (Warm White) to 6000K (White) Stepless |
| Voltage | 120 Volts |
| Wattage | 60 watts |
| Control Method | Remote Control, APP Control (Bluetooth) |
| Fan Speeds | 6 Speeds |
| Special Features | Remote Controlled, LED Light, Timer, Reversible Motor, Noiseless |
| Item Weight | 7.05 Pounds |
| Sound Level | 30 dB |

9. WARRANTY AND SUPPORT

LEDIARY provides a 2-year service warranty for this product. If you encounter any issues or have questions regarding your ceiling fan, please do not hesitate to contact our after-sales support team. We are committed to providing prompt and helpful assistance.

For support, please refer to the contact information provided on the product packaging or the official LEDIARY website.