

[Manuals.plus](#) /

> [Vtopmart](#) /

> Vtopmart 2-Tier Clear Under Sink Organizer (4 Pack) Instruction Manual

## Vtopmart SVM1105002

# Vtopmart 2-Tier Clear Under Sink Organizer (4 Pack) Instruction Manual

Model: SVM1105002

## 1. PRODUCT OVERVIEW

The Vtopmart 2-Tier Clear Under Sink Organizer is designed to maximize storage space in various areas of your home. Its transparent design allows for easy visibility of contents, and the pull-out drawers provide convenient access to stored items. This product is suitable for use in bathrooms, kitchens, pantries, and other cabinet spaces.

Each organizer unit features two tiers with slide-out drawers and is constructed from durable PET material with stainless steel support tubes for stability.

## 2. PACKAGE CONTENTS

Each package contains the following components for assembling the 2-tier organizers:

- 4 x Top Drawer Bins (Clear PET Plastic)
- 4 x Bottom Drawer Bins (Clear PET Plastic)
- 16 x Stainless Steel Support Tubes
- 8 x Frames (Clear PET Plastic, for top and bottom tiers)
- 32 x Silicone Non-Slip Pads (8 per assembled unit)

*Note: This set includes components for four complete 2-tier organizers.*

## 3. PRODUCT DIMENSIONS

Understanding the dimensions of the organizer is crucial for proper placement and fit within your desired space.

- **Overall Dimensions (L x W x H):** 11.8 inches x 7.5 inches x 10 inches
- **Individual Drawer Dimensions (L x W x H):** Approximately 11.5 inches x 6.7 inches x 2.9 inches (outer dimensions)

- **Maximum Item Height (Bottom Drawer):** Up to 6.7 inches

# Measure Your Space Before Purchasing

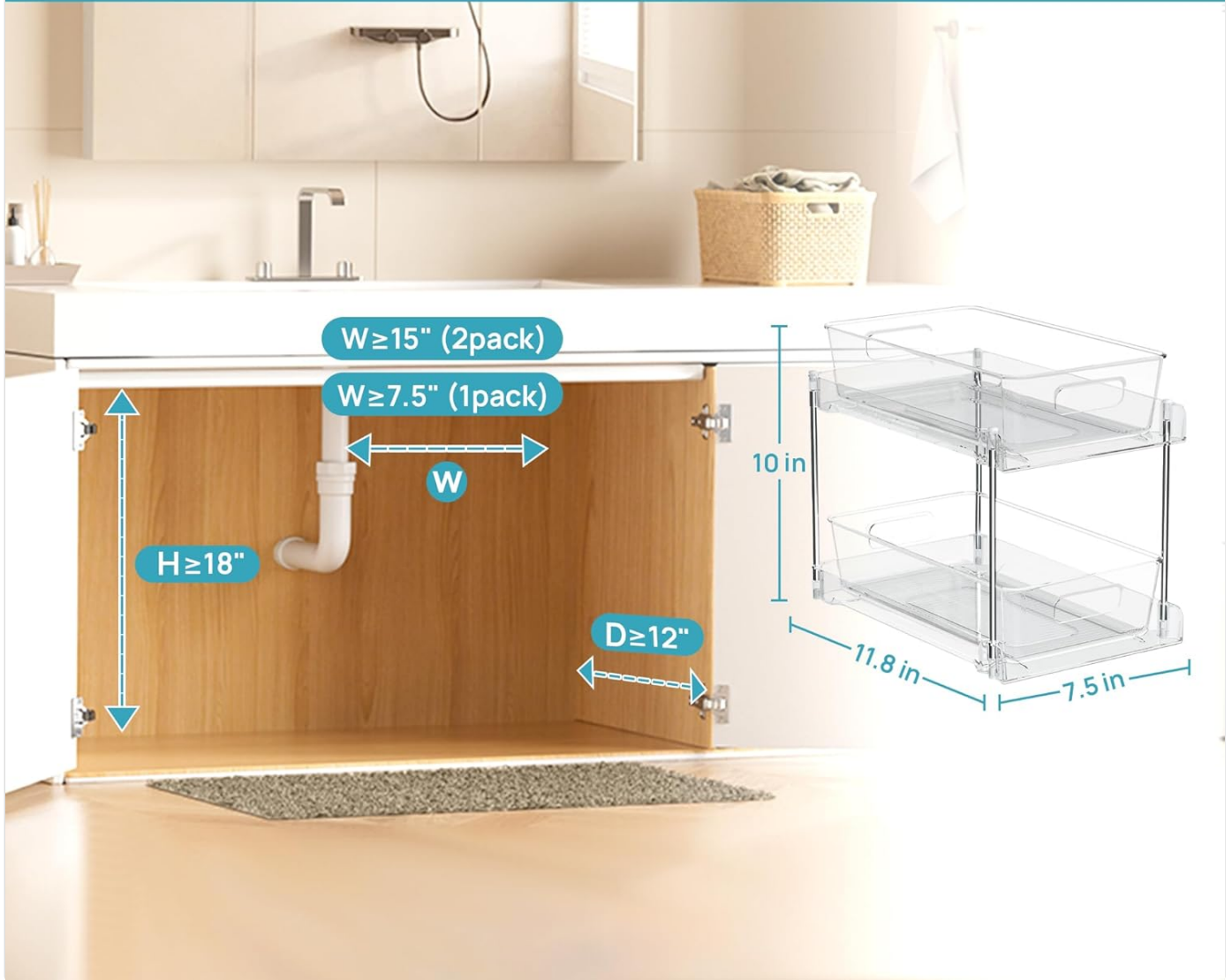




Image: Detailed product dimensions for both the assembled unit and individual drawers.

**VTOPMART** 🙌🌟🙌


Patricia A Maddox  
★★★★★ Verified Purchase  
**Omg! Game changer!**  
Everything looks so nice! Very well executed! Ambuying another set for my other bathroom! Before with my pink basket and after with all the clear drawers!



Tiny Life  
★★★★★ Verified Purchase  
**Best for Price - stable and space saving**  
Love the size of these! The drawers are individual units so you can pull it out completely and use it as a tray. Like setting a makeup tray on the counter then putting it away. Used this in the kids bathroom to help organize under the sink. Would buy again. Assembly was simple.



rahzyaunna Jordan  
★★★★★ Verified Purchase  
**Sturdy**  
These are great, easy to build. I put two under the kitchen sink and two underneath the bathroom sink. It looks neat and I like the two tiers. I do wish the drawers had a smoother glide. But perfect for my needs.



Gurmeet kaur  
★★★★★ Verified Purchase  
**Great organizer**  
I found solution to organize my under the sink things. It is great and easy to assemble and very steady






Image: Guide on measuring cabinet space to ensure proper fit for the organizer.

**VTOPMART** 🙌🌟🙌


Gurmeet kaur  
★★★★★ Verified Purchase  
**Great organizer**  
I found solution to organize my under the sink things. It is great and easy to assemble and very steady



Patti F.  
★★★★★ Verified Purchase  
**Works great for us!**  
We are getting older and taking more medication so our counter was really disorganized and an ugly mess! These shelves solved that problem, we can easily find what we're looking for and it's not as ugly as before! They could be used for SO MANY THINGS!! Will be buying more.



Jolene Klein  
★★★★★ Verified Purchase  
**Very nice product!**  
I don't write product reviews but thought this item deserved it. The organizers arrived on time via Amazon. - Good job, Amazon. Also, the organizers were packaged very thoughtfully. Each piece cushioned for protection during shipping. I ordered 8 total and all were in great shape. They were very easy to put together and are sturdy. They're just what I'd hoped for. I'll be buying many more in the future.



DBAGproductions  
★★★★★ Vine Customer Review of Free Product  
**Easy to install in under 5 minutes.**  
The organizer is so versatile you can use it in any room of the house. I am using one of them for my kitchen to put my onions and potatoes in. It was so easy to install in less than 5 minutes. It was packaged to not get damaged. They packed the original box inside of a box and wrapped it all in bubble wrap.




Image: Visual representation of the maximum item height that can be stored in the bottom drawer.

## 4. SETUP AND ASSEMBLY INSTRUCTIONS

Assembly of the Vtopmart 2-Tier Organizer is straightforward and requires no tools. Please follow these steps:

1. Unpack all components and verify that all parts listed in the "Package Contents" section are present.
2. Take one bottom frame and insert four stainless steel support tubes into the designated slots at each corner. Ensure they are firmly seated.
3. Place a top frame onto the upper ends of the four support tubes, aligning the slots with the tubes. Press down gently until the top frame is securely in place.
4. Carefully slide one drawer bin into the bottom tier and another into the top tier. The drawers are designed to slide smoothly along the tracks.
5. Attach the silicone non-slip pads to the bottom corners of the assembled organizer frame to ensure stability and prevent sliding.
6. Repeat these steps for each of the four organizer units.

*Caution: Be careful not to scratch your hands when inserting the stainless steel tubes into the frame slots.*

## 5. USAGE INSTRUCTIONS

The Vtopmart 2-Tier Organizer is versatile and can be used in various settings to enhance organization.

### General Use:

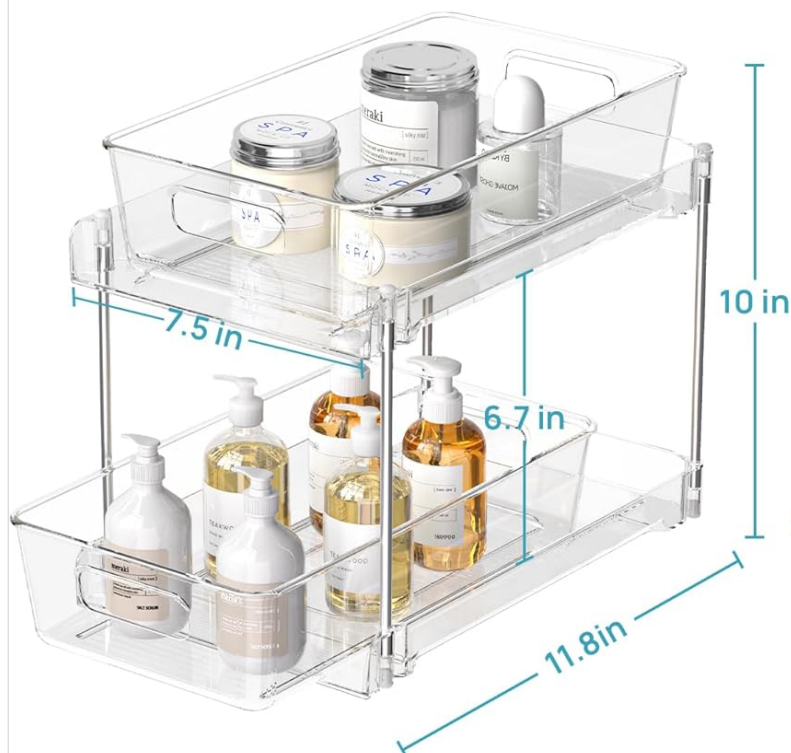
- Place items into the clear drawer bins. The transparent design allows for quick identification of contents.
- Utilize the pull-out feature of the drawers to easily access items, especially those stored at the back of cabinets or under sinks.
- The non-slip pads at the base ensure the organizer remains stable when drawers are pulled out.

### Recommended Applications:

- **Under Sink Organization:** Ideal for storing cleaning supplies, toiletries, and other bathroom or kitchen essentials. Its compact size (11.8"L x 7.5"W x 10"H) is designed to fit around pipes.
- **Pantry Storage:** Organize spice jars, snacks, bottles, and other food items.
- **Vanity/Countertop Storage:** Keep cosmetics, perfumes, and skincare products neatly arranged.
- **Cabinet/Drawer Organization:** Suitable for various cabinet types to store a wide range of items.

# Product Dimension

## Overall Dimension



## Drawer Dimension

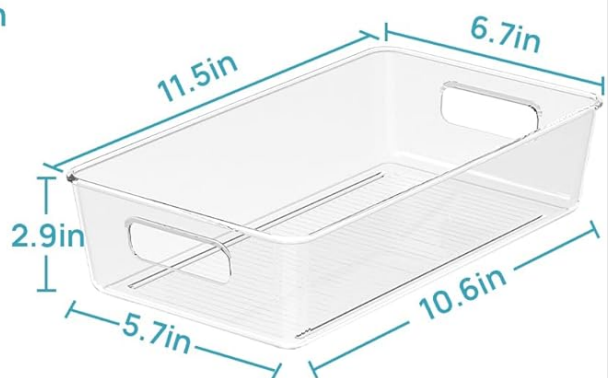


Image: Example of the organizer used for bathroom essentials under a sink.



Image: Organizers showcasing the smooth pull-out function of the drawers.



**Non-Slip Rubber Feet**

Image: Detail of the non-slip rubber feet for enhanced stability.

# Kitchen Under Sink Organizer

## Suitable for Many Scenes



Image: Organizers effectively storing cleaning supplies in a kitchen cabinet.

## 6. MAINTENANCE

To ensure the longevity and appearance of your Vtopmart organizers, follow these simple maintenance guidelines:

- **Cleaning:** Wipe the plastic bins and frames with a soft cloth and mild soap and water. Avoid abrasive cleaners or harsh chemicals, which can damage the material.
- **Drying:** Ensure all parts are thoroughly dry before reassembling or placing items back into the organizer.
- **Material:** The PET plastic and stainless steel components are designed to resist rust and are suitable for damp environments like under sinks.

## 7. TROUBLESHOOTING

If you encounter any issues with your Vtopmart 2-Tier Organizer, please refer to the following common solutions:

- **Drawers not sliding smoothly:**

- Ensure the organizer is placed on a flat, level surface.
- Check for any debris or obstructions in the drawer tracks. Clean if necessary.
- Verify that the support tubes are fully inserted and the frames are securely assembled.

- **Organizer feels unstable or wobbly:**

- Confirm that all four stainless steel support tubes are correctly and firmly inserted into both the top and bottom frames.
- Ensure the silicone non-slip pads are attached to all four bottom corners of the unit.
- Avoid overloading the drawers beyond the recommended weight capacity (15 lbs per top drawer).

- **Damage upon arrival:**

- Inspect all components immediately upon receipt. If any parts are cracked or damaged, contact customer support for assistance.

---

## 8. SPECIFICATIONS

<b>Brand</b>	Vtopmart
<b>Model Number</b>	SVM1105002
<b>Color</b>	Transparent
<b>Material</b>	PET Plastic, Stainless Steel
<b>Overall Dimensions (L x W x H)</b>	11.8" x 7.5" x 10"
<b>Item Weight (per unit)</b>	Approximately 1.75 lbs (7 lbs for 4 units)
<b>Maximum Weight Recommendation (per top drawer)</b>	15 Pounds
<b>Number of Tiers</b>	2
<b>Special Feature</b>	Stackable, Pull-Out Drawers, Non-Slip Feet
<b>Recommended Uses</b>	Bathroom, Kitchen, Pantry, Vanity, Cleaning Supplies, Toiletries

---

## 9. WARRANTY AND SUPPORT

Specific warranty information for this product is not provided in the available details. For any product-related inquiries, support, or to report damaged items, please contact Vtopmart customer service through the retailer where the product was purchased.

You may also visit the official Vtopmart store for additional product information and support resources:

[Vtopmart Official Store](#)

