



Manuals.plus /

› ARTMU /

› ARTMU Firebolt Hulk (BSW052) Smartwatch Magnetic Charger Instruction Manual

## ARTMU FB Hulk

# ARTMU Firebolt Hulk (BSW052) Smartwatch Magnetic Charger Instruction Manual

Model: FB Hulk

## INTRODUCTION

---

This manual provides essential information for the safe and efficient use of your ARTMU Firebolt Hulk (BSW052) Smartwatch Magnetic Charger. This charger is specifically designed for the Firebolt Hulk (BSW052) smartwatch, offering a convenient and reliable charging solution.



Image: The ARTMU Firebolt Hulk Smartwatch Magnetic Charger connected to a compatible smartwatch, illustrating its compact design and magnetic attachment.

## Key Features

- **Compatibility:** Specifically designed for Firebolt Hulk (BSW052) smartwatches.
- **Built-in Strong Magnet:** Features a quality magnet and copper core for a secure and efficient connection.
- **Long Lasting:** Constructed from premium materials with power protection to prevent overcurrent damage and overheating.

## Product Overview

Your browser does not support the video tag.

Video: An overview of the ARTMU Firebolt Hulk Smartwatch Magnetic Charger, detailing its appearance, compatibility, performance, and special features. This video provides visual guidance on the product's design and functionality.

## SETUP INSTRUCTIONS

---

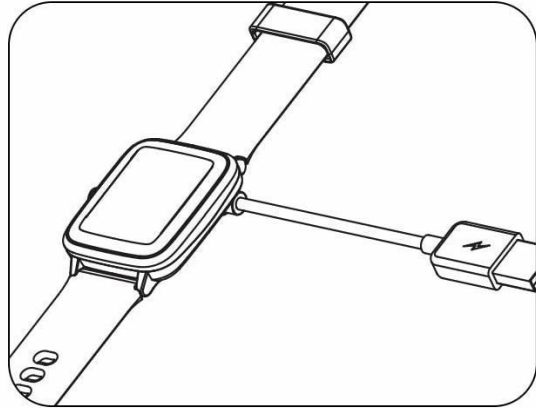
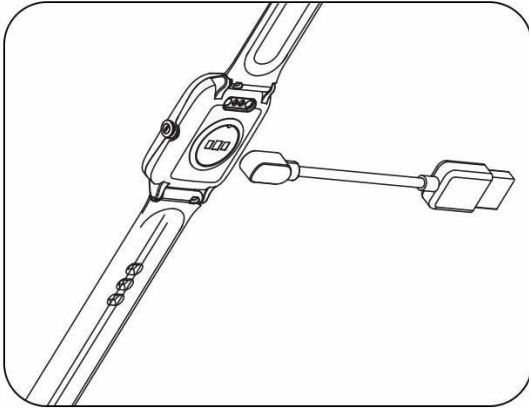
Follow these steps to correctly set up and begin charging your smartwatch.

### Connecting the Charger

1. Connect the USB-A end of the charging cable to a compatible USB power source (e.g., wall adapter, computer, power bank).
2. Align the magnetic charging pins with the charging contacts on the back of your Firebolt Hulk

(BSW052) smartwatch. The magnets will automatically snap into place.

## Magnetic Charging Interface



If the charging magnets repel, the device will not charge.



You can charge correctly if the magnets attract whilst charging,



While charging

Image: A visual guide demonstrating the correct alignment for magnetic charging. Ensure the magnets attract for proper connection; if they repel, adjust the charger's orientation.

Ensure the magnets attract and hold firmly. If the magnets repel, the connection is incorrect, and the device will not charge.

## OPERATING INSTRUCTIONS

Once connected, your smartwatch should begin charging automatically.

### Charging Indicators

- Refer to your smartwatch's display for charging status and battery level.
- The charger supports fast charging, allowing your device to reach full charge efficiently.

## Cable joints are strengthened Toughness and durability

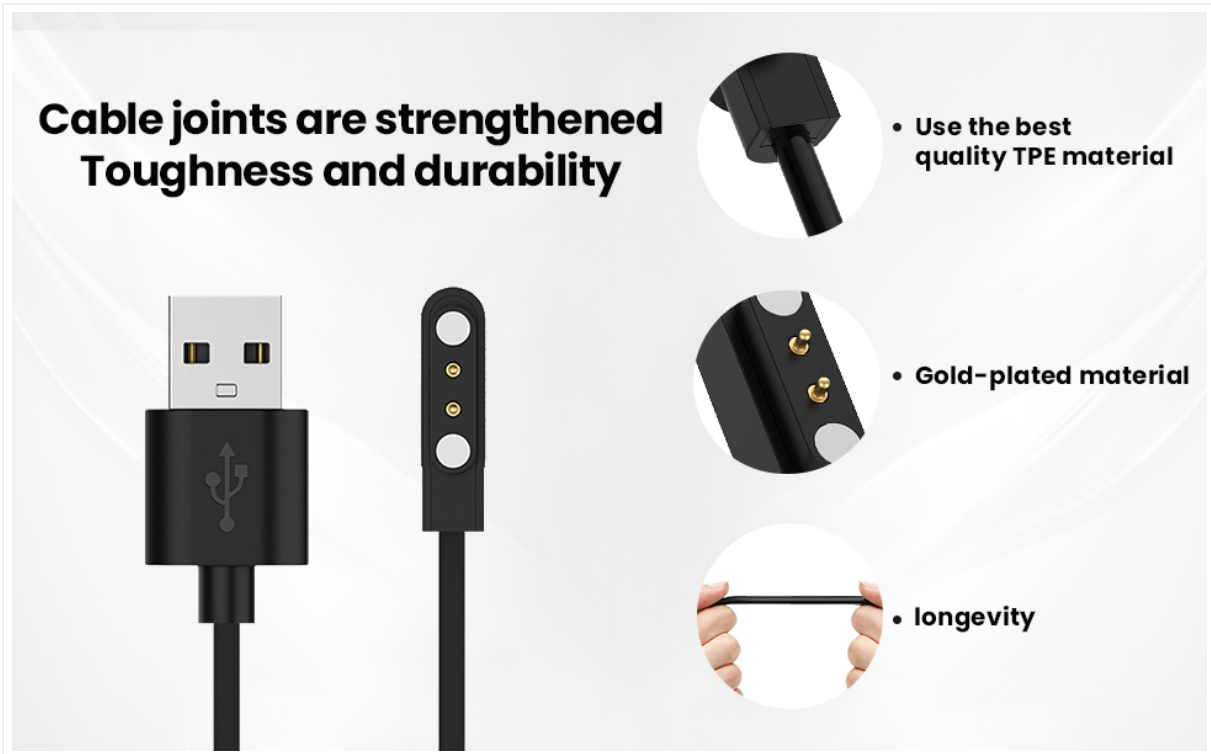


Image: Illustration of the charger's compatibility with various USB power sources, including wall chargers, computers, car chargers, and power banks.

## MAINTENANCE AND CARE

---

To ensure the longevity and optimal performance of your ARTMU Firebolt Hulk Smartwatch Magnetic Charger, please follow these maintenance guidelines:

- Keep the magnetic contacts clean and free from dust or debris. Use a soft, dry cloth for cleaning.
- Avoid excessive bending or twisting of the cable, especially near the connectors, to prevent internal damage. The cable is designed for durability with over 6000 bend tests, but extreme stress should be avoided.
- Store the charger in a cool, dry place when not in use.

# Durable ABS Charging Cable

## Strong compatibility



charger



computer



Car charger



Mobile computer



mobile power



Image: Visual representation of the cable's durability, highlighting its resistance to bending and long service life.



Image: Detailed view of the cable's strengthened joints and gold-plated contacts, emphasizing its robust construction and longevity.

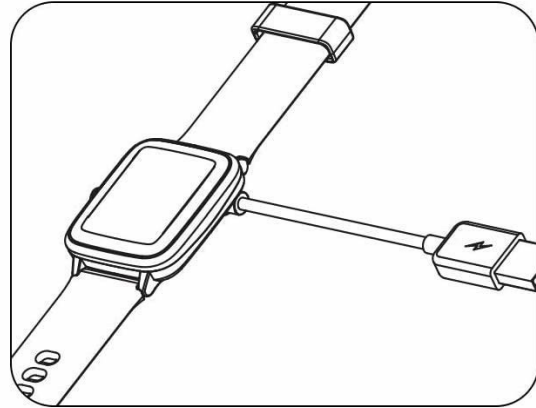
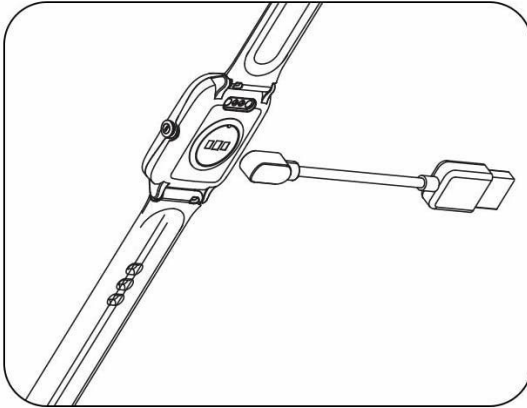
## TROUBLESHOOTING

### Smartwatch Not Charging

- **Check Connection:** Ensure the magnetic contacts are correctly aligned and firmly attached to the smartwatch. If the magnets repel, reverse the orientation of the charger head.
- **Power Source:** Verify that the USB power source is active and functioning correctly. Try plugging the USB-A end into a different USB port or wall adapter.

- **Clean Contacts:** Inspect the charging contacts on both the charger and the smartwatch for any dirt or obstruction. Clean gently if necessary.
- **Cable Integrity:** Check the charging cable for any visible signs of damage, such as cuts or fraying.

## Magnetic Charging Interface



If the charging magnets repel, the device will not charge.



You can charge correctly if the magnets attract whilst charging,



While charging

Image: A visual guide demonstrating the correct alignment for magnetic charging. Refer to this image if your smartwatch is not charging due to improper magnetic connection.

## PRODUCT SPECIFICATIONS

---

# Smart watch Charging Cables

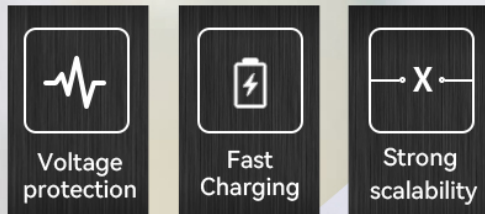


Image: An exploded view of the charging cable, highlighting its construction with ABS+PC durable casing, pure copper probe for rapid conduction, and flexible PVC cable for easy storage.

Feature	Detail
Brand	ARTMU
Model	FB Hulk
Compatible Devices	Firebolt Hulk (BSW052) Smartwatch
Connector Type	USB-A
Cable Type	USB
Special Features	Fast Charging, Magnetic Connection, Power Protection
Colour	Black
Product Dimensions	43 x 2 x 3 cm
Item Weight	20 g
Outer Material	Thermoplastic Elastomer (TPE)
Material	Copper (probe)
Specification Met	CE

## WHAT'S IN THE BOX

- 1 x ARTMU Firebolt Hulk (BSW052) Smartwatch Magnetic Charger

## WARRANTY AND SUPPORT

For warranty information, technical support, or any inquiries regarding your ARTMU product, please refer to the documentation included with your purchase or visit the official ARTMU website for the most up-to-date information and contact details.