



[Manuals.plus](#) /

> [MeetLeisure](#) /

> MeetLeisure Wicker Patio Furniture Set 6 Piece (Model 6 PCS - Swivel & Sofa) Instruction Manual

MeetLeisure 6 PCS - Swivel & Sofa

MeetLeisure Wicker Patio Furniture Set

Model: 6 PCS - Swivel & Sofa | Brand: MeetLeisure

INTRODUCTION

Thank you for choosing the MeetLeisure Wicker Patio Furniture Set. This manual provides essential information for the safe assembly, operation, and maintenance of your new outdoor furniture. Please read these instructions carefully before assembly and retain them for future reference.

SAFETY INFORMATION

Always follow assembly instructions carefully. Do not exceed the weight limit of 250 lbs for the swivel rocker chair. Be cautious when using the L-shaped furniture to prevent tip-overs. Keep the furniture clean and dry to maintain its longevity and safety.

PACKAGE CONTENTS

Your MeetLeisure Wicker Patio Furniture Set is delivered in multiple packages. Please verify all components are present before beginning assembly. The set includes the following items:

- 1 Three-Seat Sofa
- 2 Swivel Rocker Chairs
- 2 Ottomans
- 1 Side Table
- Associated hardware and cushions

SIZE & ASSEMBLY:

The Sets are Delivered in Multiple Packages

Swivel Rocker Chair: L32" X W32" X H35"

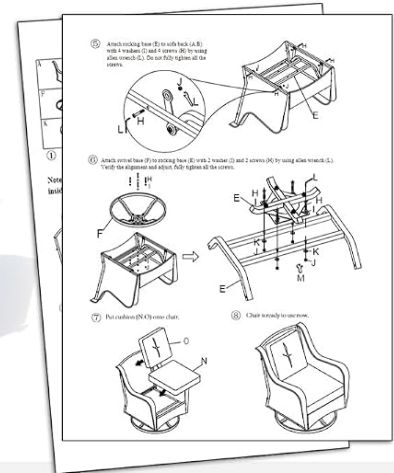
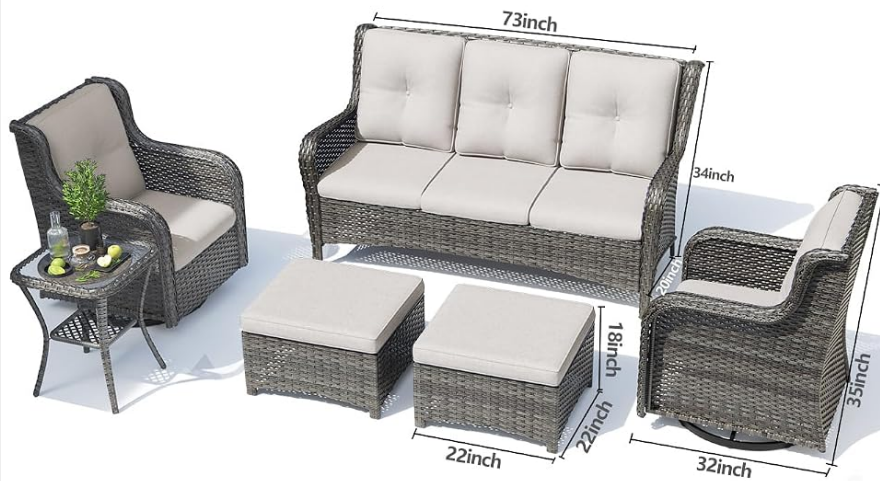
3-Seat Sofa: 73" X 34" X 33"

Seat Cushion Height: 3.5"

Ottomans: 22" X 22" X 18"

Table: 20" X 20" X 22"

Weight Capacity: 250 LBS



All data comes from the company and may vary slightly depending on the test environment



x1 sofa



x2 ottoman



x1 table



x2 chair

Figure 1: Overview of included components and their dimensions.

SETUP AND ASSEMBLY

Assembly is required for this furniture set. Please follow the included instructions carefully. It is recommended to have two people for assembly. Ensure all bolts are installed before fully tightening any of them. Once all components are correctly assembled and the furniture is level, then proceed to tighten all screws securely.

1. Unpack all components and hardware. Lay them out on a soft, clean surface to prevent scratches.
2. Identify each part using the provided diagrams.
3. Begin assembling the main frames of the sofa, chairs, ottomans, and side table. Insert all bolts loosely at first.
4. For swivel chairs, ensure the base orientation is correct before securing.
5. Once all pieces are assembled and aligned, place the furniture on a level surface.
6. Gradually tighten all bolts using the provided tool until secure. Do not overtighten.
7. Place cushions on the assembled furniture.

Enjoying Outdoor Time



Patio Yard



Front Porch



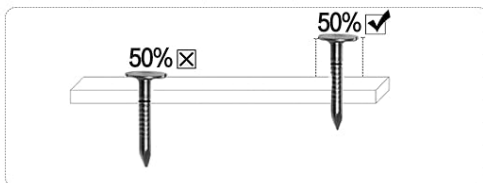
Poolside



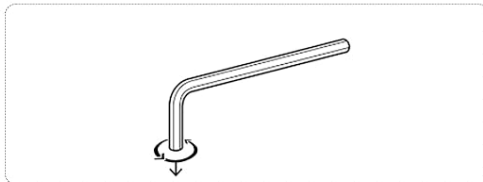
Garden lawn

Figure 2: Assembly tips for proper installation.

Installation Tips



Please ensure that all bolts are installed but refrain from tightening them.



Confirm all components are assembled correctly, chair is level, then tighten screws.

Sturdy Structure

Durable steel frame for maximum stability



Figure 3: Sturdy steel frame for maximum stability.

OPERATING INSTRUCTIONS

The swivel rocker chairs feature a multifunctional base designed for comfort and movement.

Swivel Function

The chairs allow for a full 360-degree rotation. Simply apply gentle pressure with your feet to turn the chair in any direction without moving the entire base.

360° SWIVEL & GLIDE

Enjoying the Relaxation Brought by Spinning and Swinging



Swivels 360 Degrees



Rock Back and Forth



Maximum Capacity: 250 lbs



Figure 4: Swivel and glide functionality.

Rocking/Gliding Motion

The chairs also provide a smooth back-and-forth rocking motion. Lean back gently and use your feet to initiate the gliding movement. Non-slip pads on the bottom ensure stability during use.

Your browser does not support the video tag.

Video 1: Demonstration of the swivel and rocking features of the patio chairs.

Your browser does not support the video tag.

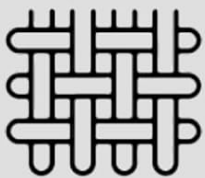
Video 2: Overview of the MeetLeisure Patio Furniture Set, showcasing its design and features.

MAINTENANCE

Proper care will extend the life and appearance of your patio furniture set.

Cleaning the Wicker Frame

Wipe the wicker frame with a dry cloth to remove dust and debris. For deeper cleaning, use a mild soap solution and a soft brush, then rinse with water and allow to air dry completely. Avoid harsh chemicals or abrasive cleaners.



Hand-woven



UV Resistant



Waterproof



Figure 5: Durable hand-woven PE rattan wicker.

Cushion Care

The polyester cushions are designed to be easy to clean and maintain. Spot clean with a damp cloth and mild soap. For more thorough cleaning, remove covers if applicable and follow fabric care instructions. Ensure cushions are completely dry before storing or replacing to prevent mildew.

Professional Fabric for Outdoor Use

All-weather protection



Water-resistant



Durable



Anti-Fade



Figure 6: Professional fabric for outdoor use, featuring water-resistance and anti-fade properties.

General Care

To protect your furniture from extreme weather conditions, consider using outdoor furniture covers when not in use for extended periods. Store cushions indoors during heavy rain or winter months.

TROUBLESHOOTING

Problem	Possible Cause	Solution
Bolts do not align during assembly	Parts are incorrectly oriented or not all bolts are loosely inserted.	Review assembly diagrams. Ensure all bolts are loosely inserted before tightening any. Disassemble and reassemble if necessary.
Swivel/rocking motion is stiff	New mechanism, or debris in the swivel base.	The mechanism may loosen with use. Ensure the base is clean and free of obstructions. Apply a silicone-based lubricant if needed.
Furniture feels unstable after assembly	Bolts are not fully tightened or furniture is on an uneven surface.	Ensure all bolts are securely tightened. Move the furniture to a level surface.
Cushions appear thin or uncomfortable	Initial compression from packaging.	Allow cushions to decompress for 24-48 hours after unpacking. Fluff regularly to maintain shape.

SPECIFICATIONS

Feature	Detail
Brand	MeetLeisure
Model	6 PCS - Swivel & Sofa
Color	Beige (Mixed Grey/Beige Wicker)
Material Type	Wicker (PE Rattan)

Feature	Detail
Style	Contemporary Patio Furniture Set
Assembly Required	Yes
Swivel Rocker Chair Weight Capacity	250 lbs
Sofa Dimensions	73" (L) x 34" (W) x 33" (H) (Approximate)
Swivel Rocker Chair Dimensions	32" (L) x 32" (W) x 35" (H) (Approximate)
Ottoman Dimensions	22" (L) x 22" (W) x 18" (H) (Approximate)
Side Table Dimensions	20" (L) x 20" (W) x 22" (H) (Approximate)
Seat Cushion Height	3.5 inches
Product Care Instructions	Wipe with Dry Cloth

WARRANTY AND SUPPORT

This product is covered by a 30-day easy return policy. For any questions regarding assembly, missing parts, or product defects, please contact MeetLeisure customer support. Keep your purchase receipt for warranty claims.

For additional support, you may visit the [MeetLeisure Store on Amazon](#).

